

MODEL NUMBER	HHI1-18-575-143T		
HORSEPOWER	1		
RPM / POLES	1800 / 4		
VOLTAGE / PHASE	575 V / 3		
FRAME	143T		
ENCLOSURE / DEGREE OF PROTECTION	TEFC / IP55		
FREQUENCY	60 HZ		
FULL LOAD SPEED	1740 RPM		
SERVICE FACTOR	1.15 SF at 40° C / 1.0 SF at 65° C		
INSULATION CLASS	F Class N Varnish		
FULL LOAD AMPS; 575	1.3 A		
LOCKED ROTOR CURRENT (% Full Load)	930 %		
NEMA CODE LETTER	N		
EFFICIENCY / POWER FACTOR	<u>LOAD</u>	<u>EFF.</u>	<u>P.F.</u>
	100 %	85.5 %	70.0 %
	75 %	85.6 %	60.0 %
	50 %	79.5 %	46.0 %
DUTY CYCLE	S1 / Continuous		
TORQUE	<u>FULL LOAD</u>	<u>LRT</u>	<u>BDT</u>
	3.0 lb.ft.	280 %	310 %
NEMA DESIGN	B		
MOMENT OF INERTIA	<u>LOAD (Max.)</u>	<u>MOTOR</u>	
	14.832 lb.ft. <sup>2</sup>	0.059 lb.ft. <sup>2</sup>	
SOUND PRESSURE LEVEL ( No Load 1 M From Motor)	64 dB(A)		
NUMBER OF STARTS (Hot / Cold)	2 Hot / 3 Cold		
MAX. AMBIENT TEMPERATURE	40° C at 1.15 SF / 65° C at 1.0 SF		
MAX. ELEVATION	3300 Ft. Above Sea Level		
TEMPERATURE RISE (At Full Load)	80° C		
DRIVE-END BEARING	6205ZZC3		
OPPOSITE DRIVE-END BEARING	6204ZZC3		
GREASE TYPE	Mobil Polyrex EM		
MOUNTING	F1 (F2 Suitable), W6, W8, B3, V5, V6		
ROTATION	Bi-Directional		
APPROXIMATE WEIGHT	53 lbs.		
AREA CLASSIFICATION	Class I, Division 2, Groups A, B, C, D		
INVERTER RATING	10:1 CT / 20:1 VT		
SPECIFICATION - In Accordance With	NEMA, CSA		



CC 038A





# TEFC

**THREE PHASE INDUCTION MOTOR**

**TYPE**

LP,JP

CAST IRON FRAME

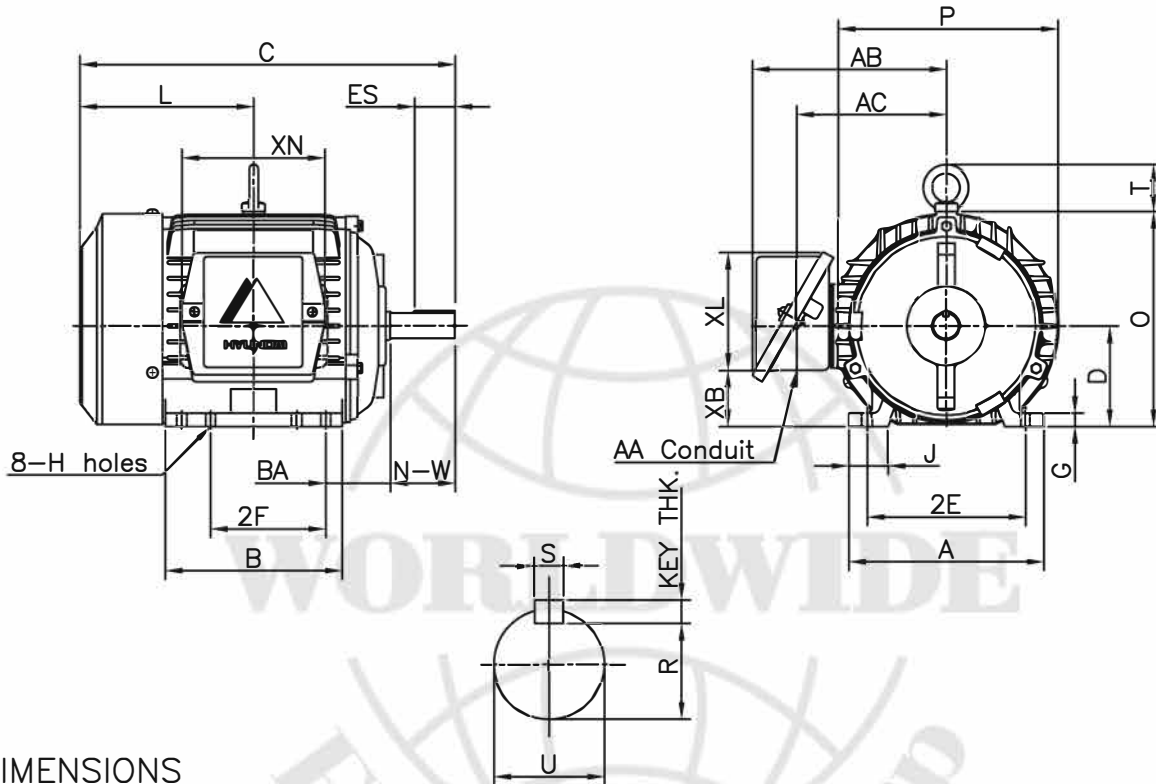
FRAME SIZE

OUTPUT(HP)

POLES

Hz

TIME RATING



DIMENSIONS

MOUNTING									CONDUIT BOX						APPROX. WGT.(LB)
A	B	2E	2F	-	-	G	J	H	AA	AB	AC	XB	XL	XN	
6.78	6.15	5.50	4.00	-	-	0.47	1.36	0.34	0.75	6.73	5.21	1.95	4.10	4.96	53

OVERALL							SHAFT			KEY THK.	BEARING			
BA	C	D	L	O	P	T	U	N-W	KEYWAY		DRIVE END	OPP. DRIVE END		
									R	ES	S			
2.25	13.05	3.50	6.05	7.46	7.64	1.63	0.875	2.25	0.771	1.41	0.188	0.188	6205ZZC3	6204ZZC3

**NOTE**

- 1.Dimension "D" tolerance : +0.00inch - 0.03inch
- 2.Dimension "U" tolerance : +0.000inch - 0.0005inch
- 3.Dimension "R" tolerance : +0.000inch - 0.015inch

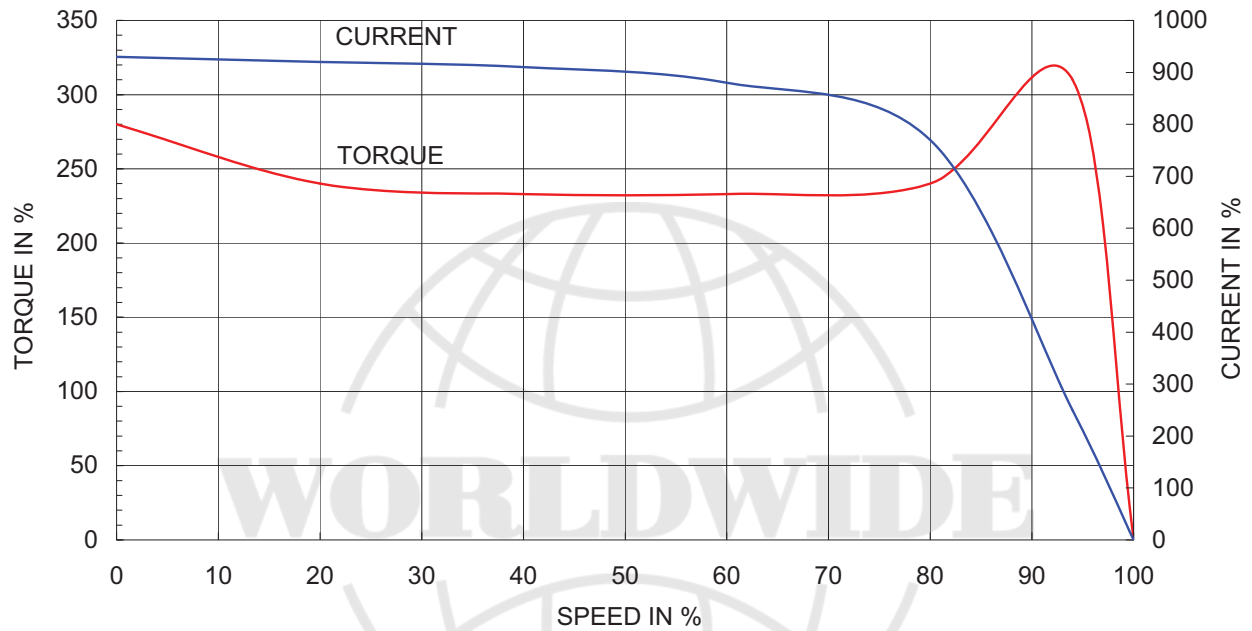
APPD BY	J.H.KIM	UNIT	INCH	SUBJECT	NEMA 143T	CAD PROJ \ FILE
CHKD BY	N.D.LEE	SCALE	1/8			SCALE-NEMA\A1101AA
CHKD BY	K.S.LEE	PROJEC'N	3rd Angle	TITLE <b>OUTLINE</b>		
DSND BY	S.W.SEO	DATE	2010.12.20			



REF. NO	350A1101AA	Sheet No.	of
DWG NO	350A1101AA	Revision No.	0

Type	: PLP
Full Load Torque	: 3.0 lb.ft
Motor moment of Inertia (J)	: 0.059 lb.ft <sup>2</sup>
Load moment of Inertia (J)	: 14.832 lb.ft <sup>2</sup>

0.75 kW	1 HP	60 Hz	
4 P	Rated Speed : 1740 RPM		
Rated Voltage	575V	460V	230V
Full Load Current	1.3A	1.6A	3.2A

**SPEED VS TORQUE & CURRENT CURVE**

**OUTPUT VS EFF., P.F & CURRENT CURVE**
