

| | | | |
|--|--|---------------------------|-------------|
| MODEL NUMBER | HHI10-18-215TCRD | | |
| HORSEPOWER | 10 | | |
| RPM / POLES | 1800 / 4 | | |
| VOLTAGE / PHASE | 230 / 460 V / 3 | | |
| FRAME | 215TC – Round Body | | |
| ENCLOSURE / DEGREE OF PROTECTION | TEFC / IP55 | | |
| FREQUENCY | 60 HZ | | |
| FULL LOAD SPEED | 1760 RPM | | |
| SERVICE FACTOR | 1.15 SF at 40° C / 1.0 SF at 65° C | | |
| INSULATION CLASS | F Class N Varnish | | |
| FULL LOAD AMPS; 230 / 460 | 25.6 / 12.8 A Usable On 208 V At 28.3 A | | |
| LOCKED ROTOR CURRENT (% Full Load) | 750 / 750 % | | |
| NEMA CODE LETTER | J | | |
| EFFICIENCY / POWER FACTOR | <u>LOAD</u> | <u>EFF.</u> | <u>P.F.</u> |
| | 100 % | 91.7 % | 80.5 % |
| | 75 % | 91.7 % | 76.0 % |
| | 50 % | 89.7 % | 66.0 % |
| DUTY CYCLE | S1 / Continuous | | |
| TORQUE | <u>FULL LOAD</u> | <u>LRT</u> | <u>BDT</u> |
| | 30.0 lb.ft. | 180 % | 240 % |
| NEMA DESIGN | B | | |
| MOMENT OF INERTIA | <u>LOAD (Max.)</u> | <u>MOTOR</u> | |
| | 177.979 lb.ft. ² | 0.712 lb.ft. ² | |
| SOUND PRESSURE LEVEL (No Load 1 M From Motor) | 69 dB(A) | | |
| NUMBER OF STARTS (Hot / Cold) | 2 Hot / 3 Cold | | |
| MAX. AMBIENT TEMPERATURE | 40° C at 1.15 SF / 65° C at 1.0 SF | | |
| MAX. ELEVATION | 3300 Ft. Above Sea Level | | |
| TEMPERATURE RISE (At Full Load) | 80° C | | |
| DRIVE-END BEARING | 6307ZCC3 | | |
| OPPOSITE DRIVE-END BEARING | 6307ZCC3 | | |
| GREASE TYPE | Mobil Polyrex EM | | |
| MOUNTING | F1 (F2 Suitable), W6, W8, B3, V5, V6 | | |
| ROTATION | Bi-Directional | | |
| APPROXIMATE WEIGHT | 165 lbs. | | |
| AREA CLASSIFICATION | Class I, Division 2, Groups A, B, C, D | | |
| INVERTER RATING | 10:1 CT / 20:1 VT - Meets NEMA MG1 Part 31 | | |
| SPECIFICATION - In Accordance With | NEMA, CSA | | |



CC 038A





TEFC

THREE PHASE INDUCTION MOTOR

TYPE

LP,JP

CAST IRON FRAME

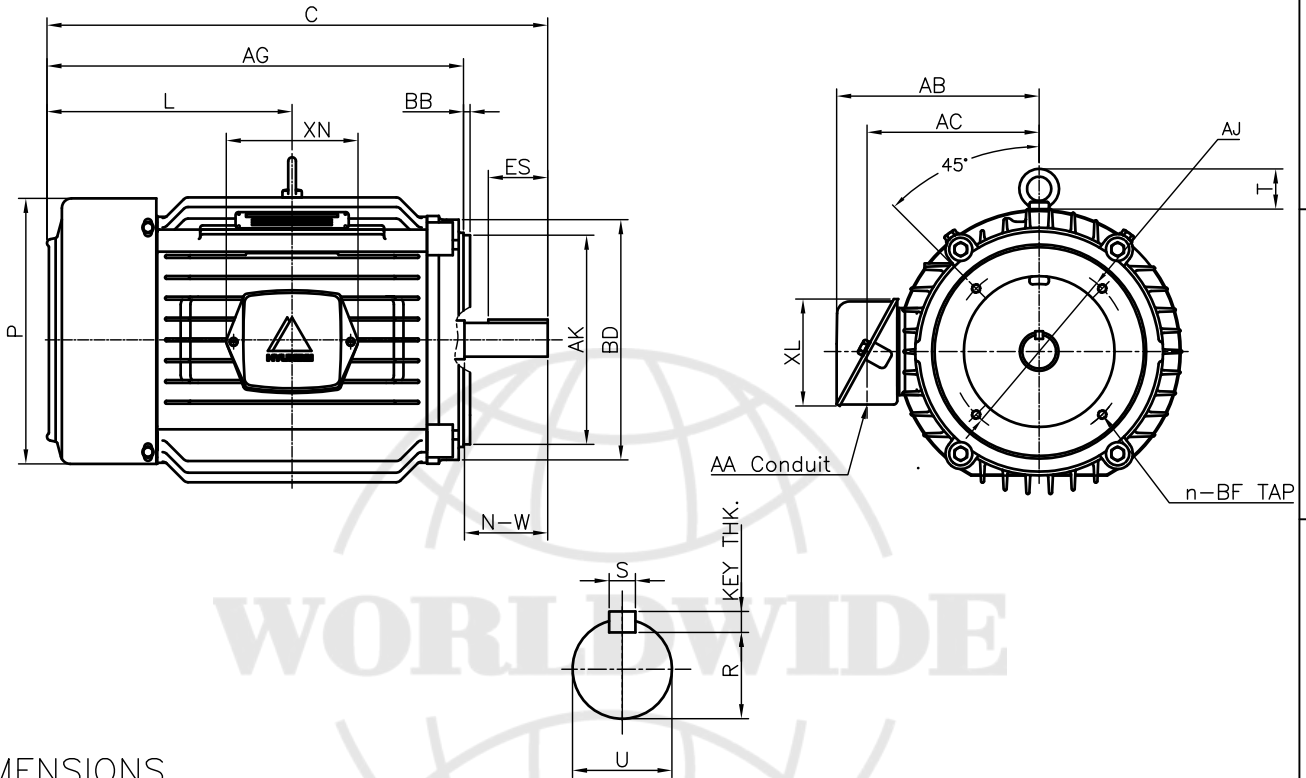
FRAME SIZE

OUTPUT(HP)

POLES

Hz

TIME RATING



DIMENSIONS

| FLANGE | | | | | | CONDUIT BOX | | | | | APPROX. WGT.(LB) |
|--------|------|------|------|--------|---|-------------|------|------|------|------|------------------|
| AJ | AK | BD | BB | BF | n | AA | AB | AC | XL | XN | |
| 7.250 | 8.50 | 9.00 | 0.25 | 1/2-13 | 4 | 1.00 | 8.23 | 7.34 | 4.35 | 5.35 | 165 |

| O V E R A L L | | | | | S H A F T | | | | | KEY THK. | BEARING | |
|---------------|-------|------|-------|------|-----------|------|--------|------|-------|----------|-----------|----------------|
| AG | C | L | P | T | U | N-W | KEYWAY | | | | DRIVE END | OPP. DRIVE END |
| | | | | | | | R | ES | S | | | |
| 16.93 | 20.36 | 9.97 | 10.80 | 1.63 | 1.375 | 3.38 | 1.201 | 2.41 | 0.312 | 0.312 | 6307ZZC3 | 6307ZZC3 |

NOTE

- 1.Dimension "D" tolerance : +0.00inch - 0.03inch
- 2.Dimension "U" tolerance : +0.000inch - 0.0005inch
- 3.Dimension "R" tolerance : +0.000inch - 0.015inch

| | | | | | | | |
|---------|---------|----------|------------|-------------------------|-------------------|--------------------|--|
| APPD BY | J.H.KIM | UNIT | INCH | SUBJECT | NEMA 215TCH | CAD PROJ \ FILE | |
| CHKD BY | N.D.LEE | SCALE | 1/8 | | | SCALE-NEMA\A1506AA | |
| CHKD BY | K.S.LEE | PROJEC'N | 3rd Angle | TITLE OUTLINE | | | |
| DSND BY | S.W.SEO | DATE | 2010.12.20 | | | | |
| | | | | REF. NO | 350A1506AA | Sheet No. of | |
| | | | | DWG NO | 350A1506AA | Revision No. 0 | |