

MODEL NUMBER	HHI100-36-405TS		
HORSEPOWER	100		
RPM / POLES	3600 / 2		
VOLTAGE / PHASE	230 / 460 V / 3		
FRAME	405TS		
ENCLOSURE / DEGREE OF PROTECTION	TEFC / IP55		
FREQUENCY	60 HZ		
FULL LOAD SPEED	3570 RPM		
SERVICE FACTOR	1.15 SF at 40° C / 1.0 SF at 65° C		
INSULATION CLASS	F Class N Varnish		
FULL LOAD AMPS; 230 / 460	220.1 / 110.1 A Usable On 208 V At 243 A		
LOCKED ROTOR CURRENT (% Full Load)	700 / 700 %		
NEMA CODE LETTER	G		
EFFICIENCY / POWER FACTOR	<u>LOAD</u>	<u>EFF.</u>	<u>P.F.</u>
	100 %	94.5 %	90.5 %
	75 %	94.5 %	89.5 %
	50 %	92.4 %	87.5 %
DUTY CYCLE	S1 / Continuous		
TORQUE	<u>FULL LOAD</u>	<u>LRT</u>	<u>BDT</u>
	148.0 lb.ft.	120 %	220 %
NEMA DESIGN	B		
MOMENT OF INERTIA	<u>LOAD (Max.)</u>	<u>MOTOR</u>	
	214.761 lb.ft. ²	18.450 lb.ft. ²	
SOUND PRESSURE LEVEL (No Load 1 M From Motor)	85 dB(A)		
NUMBER OF STARTS (Hot / Cold)	2 Hot / 3 Cold		
MAX. AMBIENT TEMPERATURE	40° C at 1.15 SF / 65° C at 1.0 SF		
MAX. ELEVATION	3300 Ft. Above Sea Level		
TEMPERATURE RISE (At Full Load)	80° C		
DRIVE-END BEARING	6313C3		
OPPOSITE DRIVE-END BEARING	6313C3		
GREASE TYPE	Mobil Polyrex EM		
MOUNTING	F1 (F2 Suitable), W6, W8, B3, V5, V6		
ROTATION	Bi-Directional		
APPROXIMATE WEIGHT	1110 lbs.		
AREA CLASSIFICATION	Class I, Division 2, Groups A, B, C, D		
INVERTER RATING	10:1 CT / 20:1 VT - Meets NEMA MG1 Part 31		
SPECIFICATION - In Accordance With	NEMA, CSA		




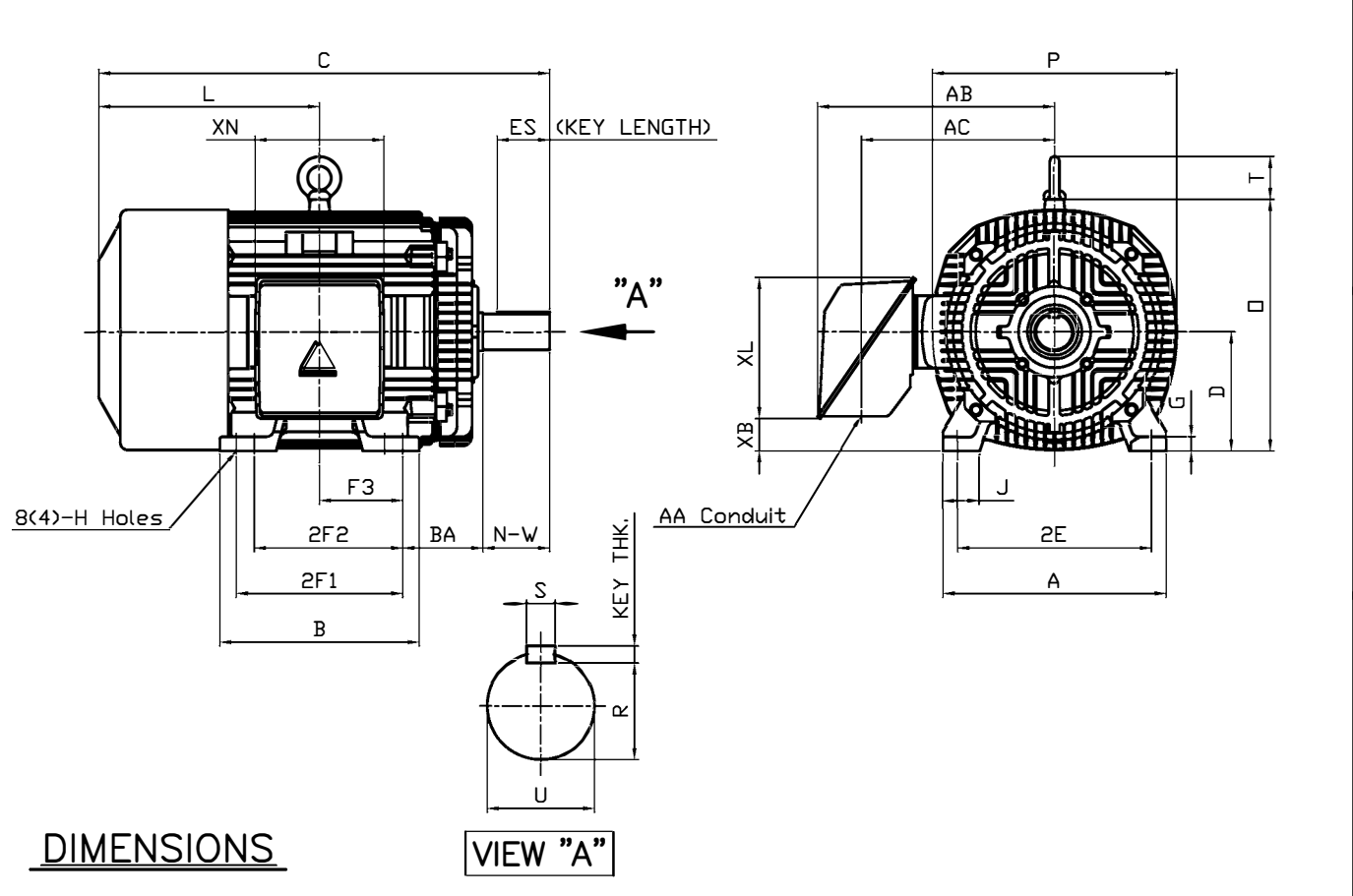
CC 038A



본 도면은 현대중공업(주) 재산이므로
허가없이 복사할 수 없음 (취급주의)

THIS DRAWING IS PROPRIETARY TO HEECO. NO PART OF THIS DRAWING
MAYBE REPRODUCED WITHOUT THE PERMISSION OF HHI.

1		2		3		4	
 HYUNDAI HEAVY INDUSTRIES CO., LTD.		<h1 style="margin: 0;">T E F C</h1> <h2 style="margin: 0;">THREE PHASE INDUCTION MOTOR</h2>				TYPE	LP, JP Cast iron frame
FRAME SIZE		OUTPUT(HP)		POLES		Hz	TIME RATING
405TS-2P						60	CONT

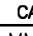
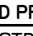



M O U N T I N G									C O N D U I T B O X					APPROX. WGT.(LB)	
A	B	2E	2F1	2F2	F3	G	J	H	AA	AB	AC	XB	XL		XN
18.43	16.46	16.00	13.75	(12.25)	6.870	1.18	3.03	0.81	3.00	20.28	14.85	2.83	11.65	10.63	1110

O V E R A L L							S H A F T				KEY	BEARING		
BA	C	D	L	O	P	T	U	N- W	KEYWAY			THK.	DRIVE END	OPP. DRIVE END
									R	ES	S			
6.62	36.42	10.00	18.68	20.79	20.16	3.55	2.125	4.25	1.845	2.80	0.500	0.500	6313C3	6313C3

NOTE

1. Dimension "D" tolerance : +0.00inch - 0.03inch (143T-365T) ; +0.000inch - 0.06inch (404T-449T)
2. Dimension "U" tolerance : +0.000inch - 0.005inch (143T-215T), +0.000inch - 0.001inch (254T-449T)
3. Dimension "R" tolerance : +0.000inch - 0.015inch

Q'TY	DESCRIPTION	MATERIAL	DIMENSION	WEIGHT	PART NO.	REMARK	NO.
APPD BY	K.J. KANG	UNIT	INCH	SUBJECT	405TS	CAD PROJ  FILE 	MMSTDMTR\A1116BA
Q.P CHK		SCALE	N/S				
CHKD BY		PROJEC'N	3 각법(3rd Angle)	<h1 style="margin: 0;">O U T L I N E</h1>			
DSND BY	N.D.LEE	DATE	2011.02.09				
				REF. NO	A1116BA	Sheet No. of	
				DWG NO	350A1116BA	Revision No. 0	



PERFORMANCE CURVE

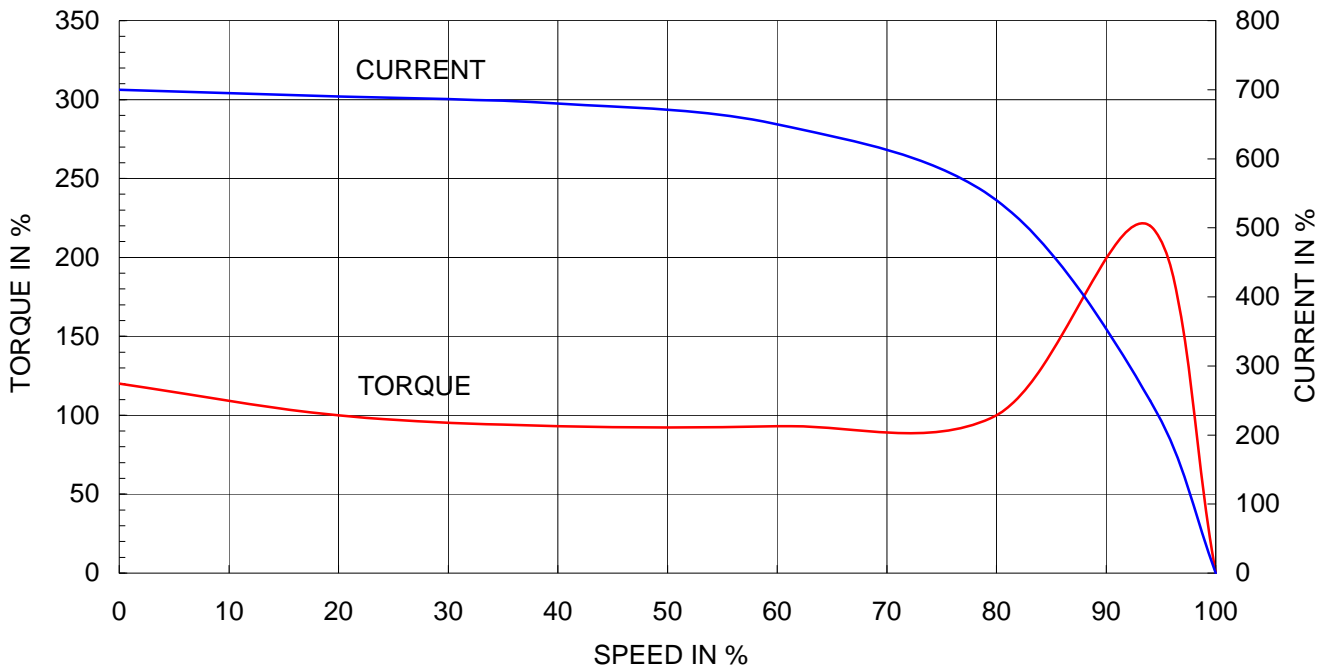
CURVE NO.

P-PLP405SR02

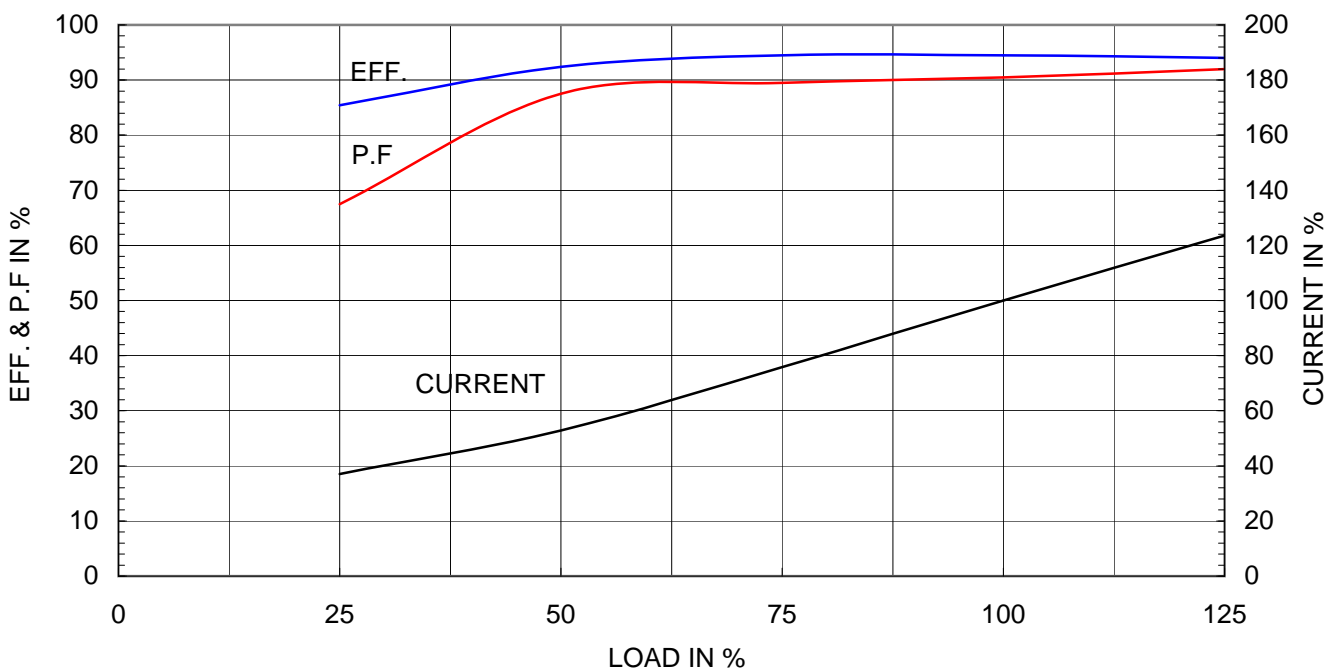
Type	: PLP
Full Load Torque	: 148.0 lb.ft
Motor moment of Inertia (J)	: 18.450 lb.ft ²
Load moment of Inertia (J)	: 214.761 lb.ft ²

75 kW	100 HP	60 Hz	
2 P	Rated Speed	: 3570 RPM	
Rated Voltage	575V	460V	230V
Full Load Current	88.1A	110.1A	220.1A

SPEED VS TORQUE & CURRENT CURVE



OUTPUT VS EFF., P.F & CURRENT CURVE



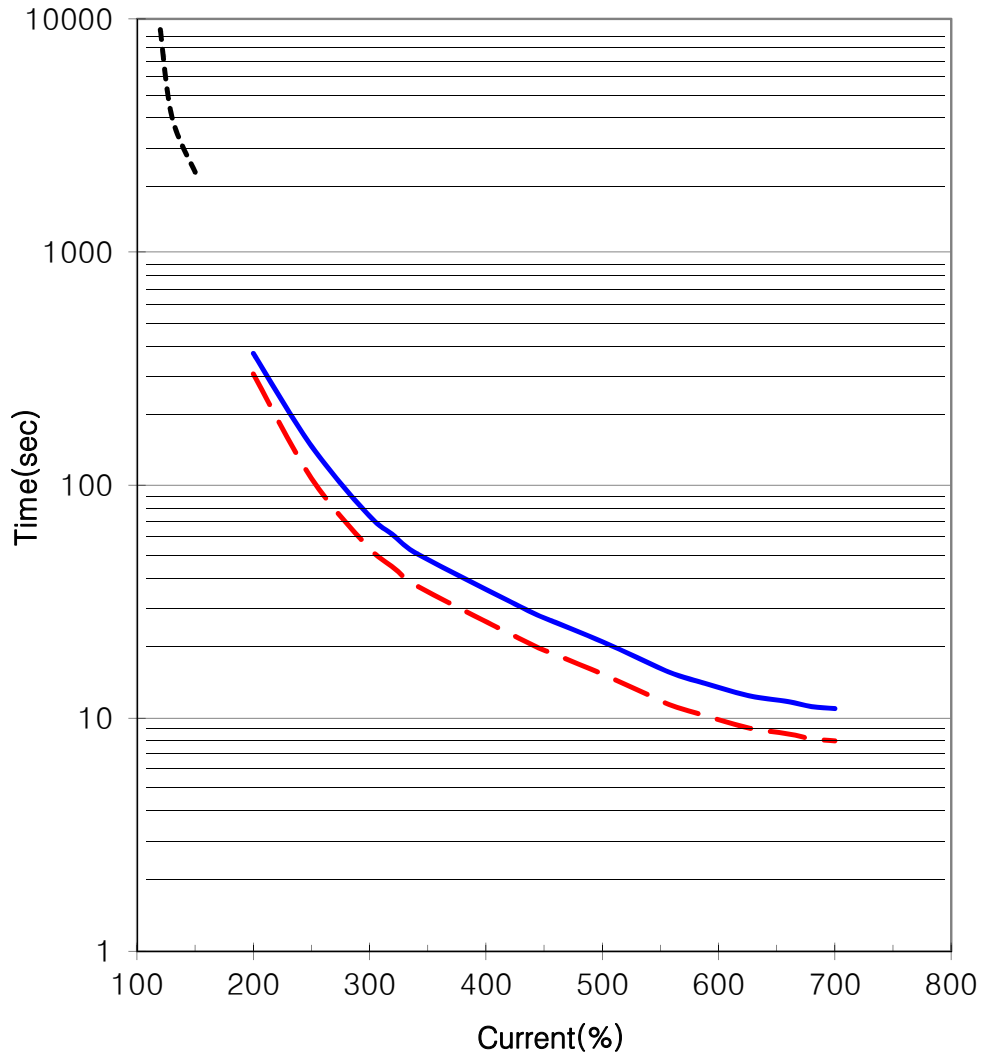


THERMAL LIMIT & TIME CURRENT CURVE

CURVE NO.

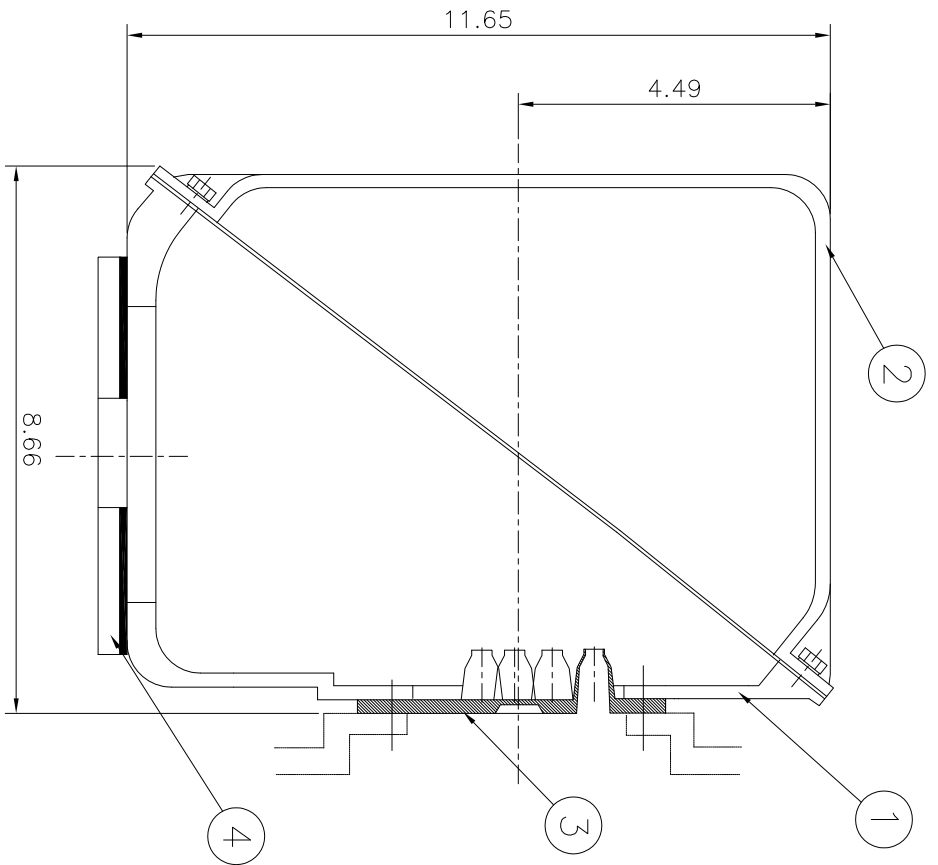
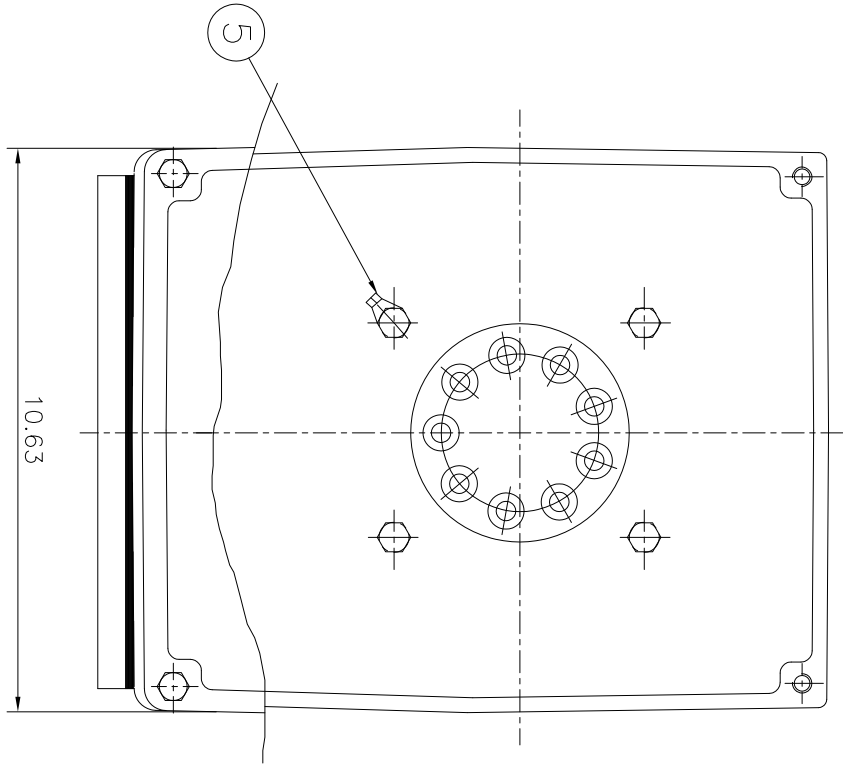
T-PLP100-36-405TS

Type :	PLP100-36-405TS		100	HP	2	P	60	Hz
FULL LOAD TORQUE :	148.0	lb.ft	RATED SPEED :		3570 rpm			
J OF LOAD :	-	lb.ft ²	VOLTAGE		460 V	575 V		
J OF MOTOR :	18.4	lb.ft ²	RATED CURRENT		110.1A	88.1A		



— THERMAL LIMIT CURVE AT COLD CONDITION
- - THERMAL LIMIT CURVE AT HOT CONDITION

STARTING TIME	SAFE STALL TIME
- at rated voltage starting	8 sec. at Hot condition
- at 80% of rated voltage starting	11 sec. at Cold condition



Q'TY	DESCRIPTION	MATERIAL	DIMENSION	WEIGHT	PART NO.	REMARK	NO.
1	EARTH TERMINAL LUG						5
1	CABLE ENTRY PLATE						4
1	GASKET	NBR					3
1	TERMINAL BOX COVER	CAST IRON					2
1	TERMINAL BOX BODY	CAST IRON					1

APPD BY	KANG KEONG JUNG	UNIT	INCH	Non Scale	SUBJECT	NEMA 400, 440	DWG SIZE	A3 (1:1)
CHKD BY	KIM JIN HONG	SCALE	INCH	Non Scale	TITLE	Main Terminal Box Assembly	REF. NO	Sheet No. of
CHKD BY	KIM OK JIN	PROJEC'N	3차 (3rd Angle)		DATE	2011-10-21	DWG NO	3M-016882
DSND BY	KIM RYANG GYU							Revision No. 0

REV	DATE	CONTENTS	REV'D BY	CHK'D BY	APP'D BY	250-	1000-	30	120	315	1000
1						±0.8	±0.5	±0.8	±1.2	±2.0	±3.0

▽	SOS	12.5S
▽▽	3.2S	0.4S

1-4	±0.1	6-30	±0.5
4-18	±0.2	30-120	±0.8
18-63	±0.3	120-315	±1.2
63-250	±0.5	315-1000	±2.0
	±0.8	1000-	±3.0

1-4	±0.1	6-30	±0.5
4-18	±0.2	30-120	±0.8
18-63	±0.3	120-315	±1.2
63-250	±0.5	315-1000	±2.0
	±0.8	1000-	±3.0

1-4	±0.1	6-30	±0.5
4-18	±0.2	30-120	±0.8
18-63	±0.3	120-315	±1.2
63-250	±0.5	315-1000	±2.0
	±0.8	1000-	±3.0

1-4	±0.1	6-30	±0.5
4-18	±0.2	30-120	±0.8
18-63	±0.3	120-315	±1.2
63-250	±0.5	315-1000	±2.0
	±0.8	1000-	±3.0

1-4	±0.1	6-30	±0.5
4-18	±0.2	30-120	±0.8
18-63	±0.3	120-315	±1.2
63-250	±0.5	315-1000	±2.0
	±0.8	1000-	±3.0