

MODEL NUMBER	HHI125-12-445TC		
HORSEPOWER	125		
RPM / POLES	1200 / 6		
VOLTAGE / PHASE	230 / 460 V / 3		
FRAME	445TC		
ENCLOSURE / DEGREE OF PROTECTION	TEFC / IP55		
FREQUENCY	60 HZ		
FULL LOAD SPEED	1185 RPM		
SERVICE FACTOR	1.15 SF at 40° C / 1.0 SF at 65° C		
INSULATION CLASS	F Class N Varnish		
FULL LOAD AMPS; 230 / 460	295.3 / 147.7 A Usable On 208 V At 327 A		
LOCKED ROTOR CURRENT (% Full Load)	675 / 675 %		
NEMA CODE LETTER	G		
EFFICIENCY / POWER FACTOR	<u>LOAD</u>	<u>EFF.</u>	<u>P.F.</u>
	100 %	95.0 %	85.0 %
	75 %	95.2 %	81.4 %
	50 %	94.9 %	72.6 %
DUTY CYCLE	S1 / Continuous		
TORQUE	<u>FULL LOAD</u>	<u>LRT</u>	<u>BDT</u>
	564.8 lb.ft.	140 %	220 %
NEMA DESIGN	B		
MOMENT OF INERTIA	<u>LOAD (Max.)</u>	<u>MOTOR</u>	
	3090.203 lb.ft. ²	89.860 lb.ft. ²	
SOUND PRESSURE LEVEL (No Load 1 M From Motor)	78 dB(A)		
NUMBER OF STARTS (Hot / Cold)	2 Hot / 3 Cold		
MAX. AMBIENT TEMPERATURE	40° C at 1.15 SF / 65° C at 1.0 SF		
MAX. ELEVATION	3300 Ft. Above Sea Level		
TEMPERATURE RISE (At Full Load)	80° C		
DRIVE-END BEARING	6318C3		
OPPOSITE DRIVE-END BEARING	6316C3		
GREASE TYPE	Mobil Polyrex EM		
MOUNTING	F1 (F2 Suitable), W6, W8, B3, V5, V6		
ROTATION	Bi-Directional		
APPROXIMATE WEIGHT	1700 lbs.		
AREA CLASSIFICATION	Class I, Division 2, Groups A, B, C, D		
INVERTER RATING	10:1 CT / 20:1 VT - Meets NEMA MG1 Part 31		
SPECIFICATION - In Accordance With	NEMA, CSA		

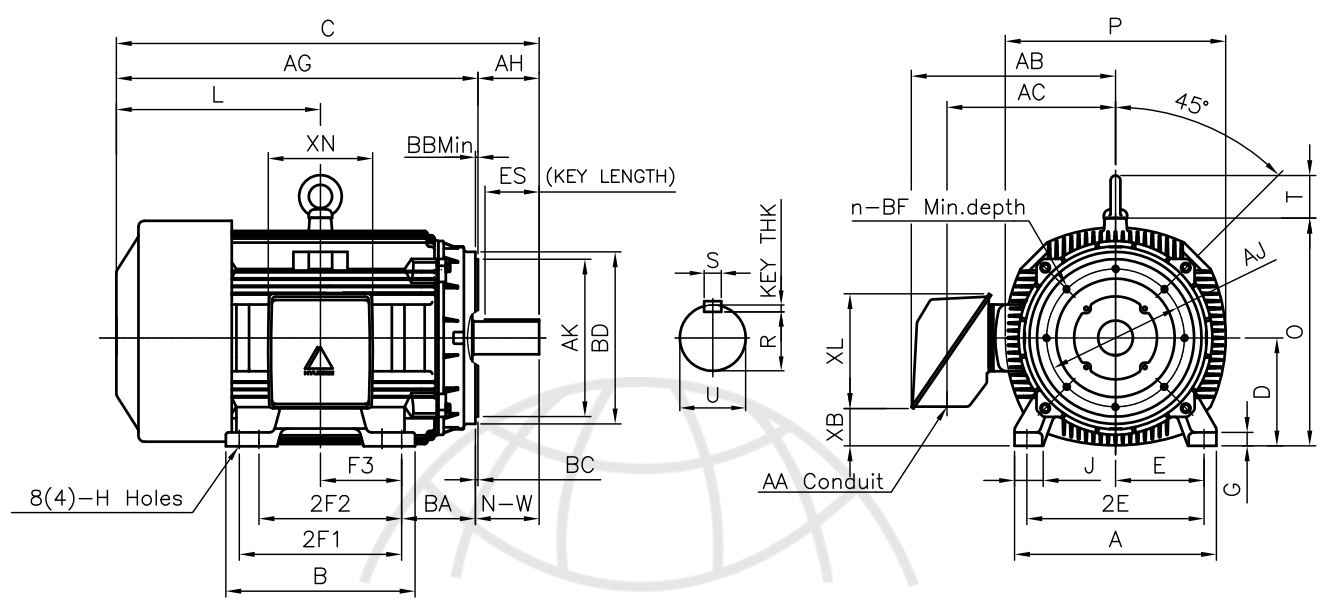


CC 038A



HYUNDAI HEAVY INDUSTRIES CO., LTD.	<h1 style="margin: 0;">TEFC</h1> <h2 style="margin: 0;">THREE PHASE INDUCTION MOTOR</h2>	<h3 style="margin: 0;">TYPE</h3>	LP, JP <hr/> Cast iron frame
--	--	----------------------------------	---------------------------------

FRAME SIZE	OUTPUT(HP)	POLES	Hz	TIME RATING
445TC			60	CONT



DIMENSIONS

MOUNTING									CONDUIT BOX					APPROX. WGT.(LB)	
A	B	2E	2F1	2F2	F3	G	J	H	AA	AB	AC	XB	XL		XN
20.51	19.21	18.00	16.50	(14.50)	8.248	1.42	3.07	0.81	3.00	21.26	18.03	3.83	11.65	10.63	1700

O V E R A L L									S H A F T			KEY THK.	B E A R I N G		
BA	C	D	L	O	P	T	AG	U	N-W	KEYWAY			DRIVE END	OPP. DRIVE END	
										R	ES	S			
7.50	45.21	11.00	20.96	23.19	22.44	4.33	36.71	3.375	8.50	2.880	6.93	0.875	0.875	6318C3	6316C3

C - F A C E								
AJ	AK	BB Min	BC	BD	BF	BF depth	n	AH
14.00	16.00	0.25	0.25	16.93	5/8-11	0.94	8	8.25

NOTE

- 1.Dimension "D" tolerance : +0.00inch ~ -0.03inch (143TC-365TC) : +0.000inch ~ -0.06inch (404TC-449TC)
- 2.Dimension "U" tolerance : +0.000inch ~ -0.0005inch (143TC-215TC): +0.000inch ~ -0.001inch (254TC-449TC)
- 3.Dimension "R" tolerance : +0.000inch ~ - 0.015inch
- 4.Dimension "AK" tolerance : +0.000inch ~ -0.003inch (143TC-286TC): +0.000inch ~ -0.005inch (324TC-449TC)

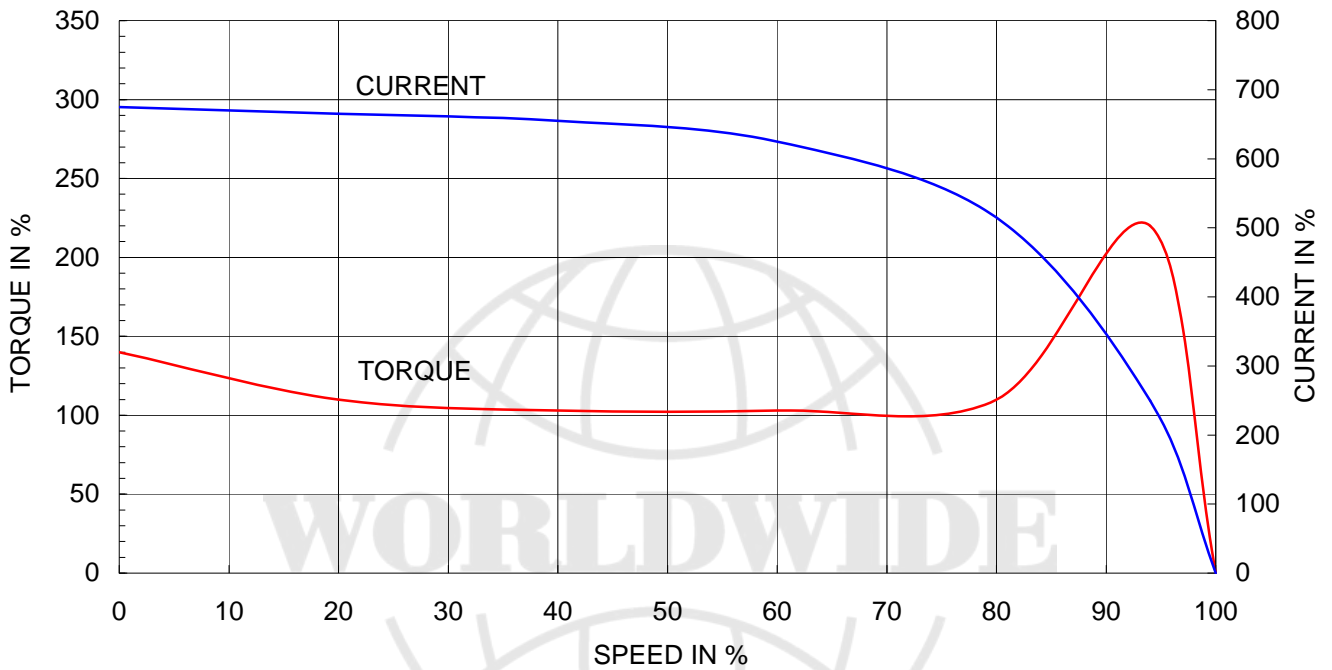
APPD BY	K.J. KANG	UNIT	INCH	SUBJECT	445TC	CAD PROJ \ FILE
CHKD BY		SCALE	N/S	TITLE	<h2 style="margin: 0;">OUTLINE</h2>	MMSTDMTR\A1318AA
CHKD BY		PROJEC'N	3rd Angle			
DSND BY	N.D.LEE	DATE	2011.02.09	REF. NO	A1318AA	Sheet No. of

HYUNDAI HEAVY INDUSTRIES CO., LTD. Electro-Electric System Division	DWG NO	350A1318AA	Revision No.	0

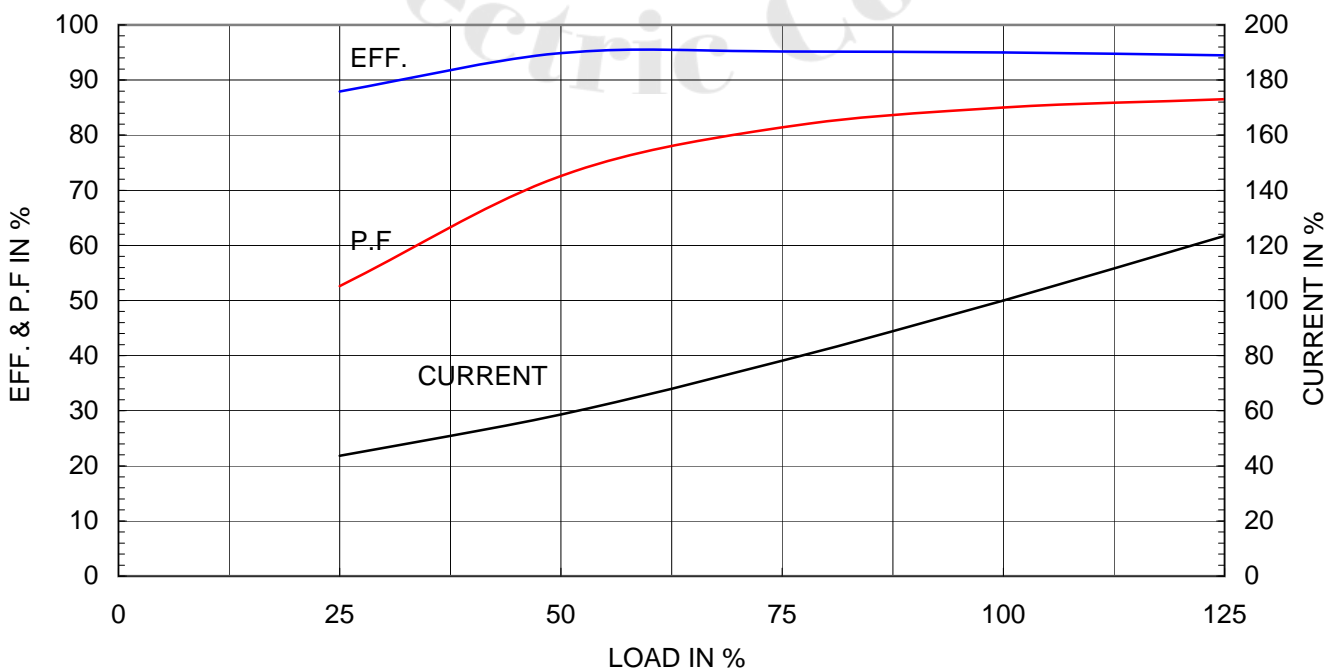
Type	: PLP
Full Load Torque	: 564.8 lb.ft
Motor moment of Inertia (J)	: 89.860 lb.ft ²
Load moment of Inertia (J)	: 3090.203 lb.ft ²

95 kW	125 HP	60 Hz	
6 P	Rated Speed	: 1185 RPM	
Rated Voltage	575V	460V	230V
Full Load Current	118.1A	147.7A	295.3A

SPEED VS TORQUE & CURRENT CURVE



OUTPUT VS EFF., P.F & CURRENT CURVE





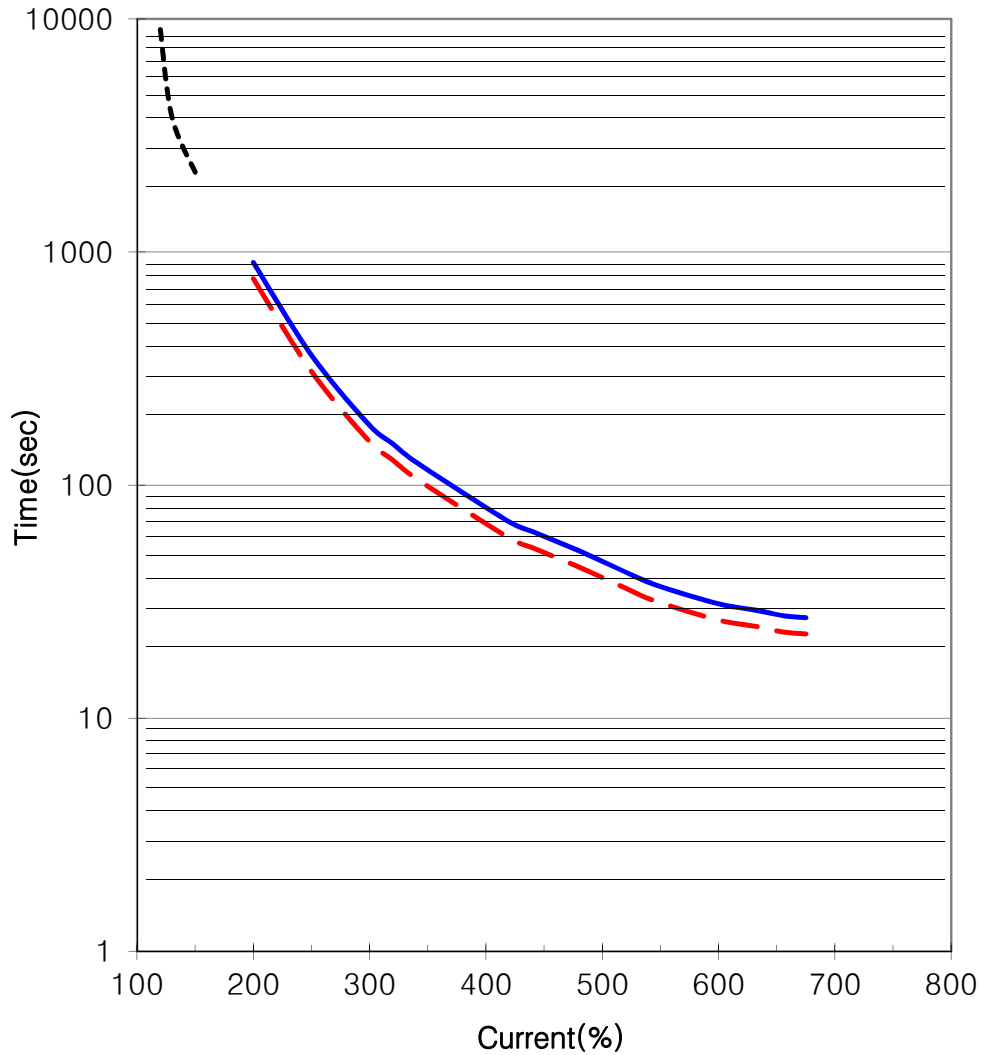
THERMAL LIMIT & TIME CURRENT CURVE

CURVE NO.

T-PLP125-12-445TC

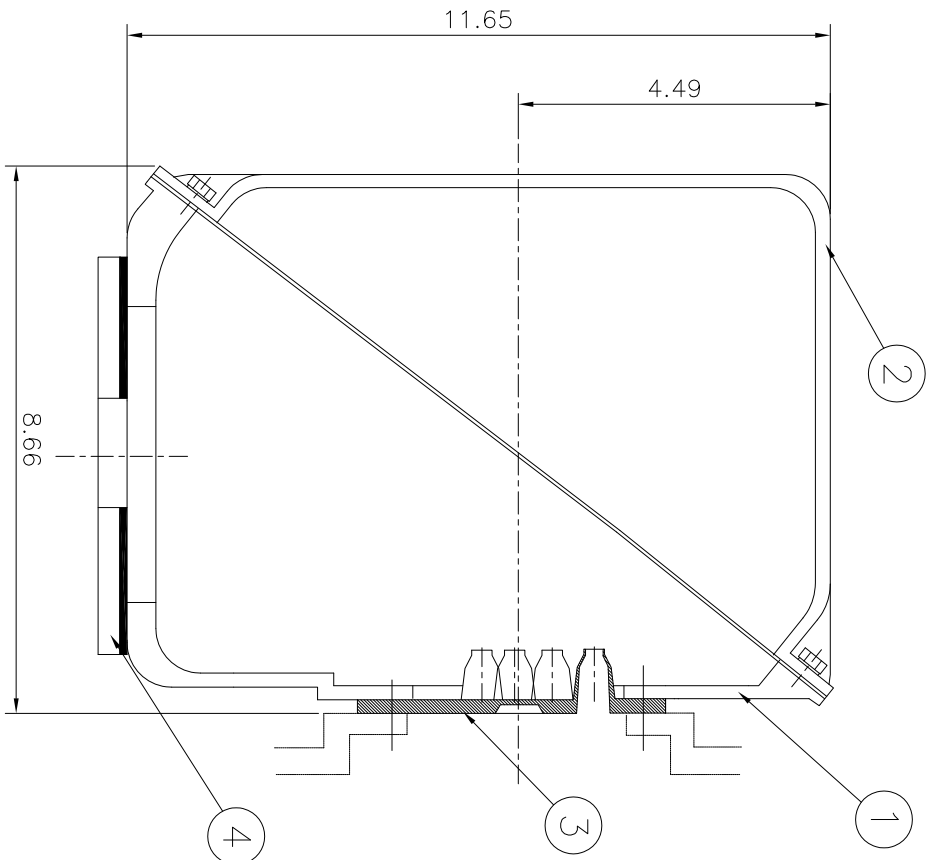
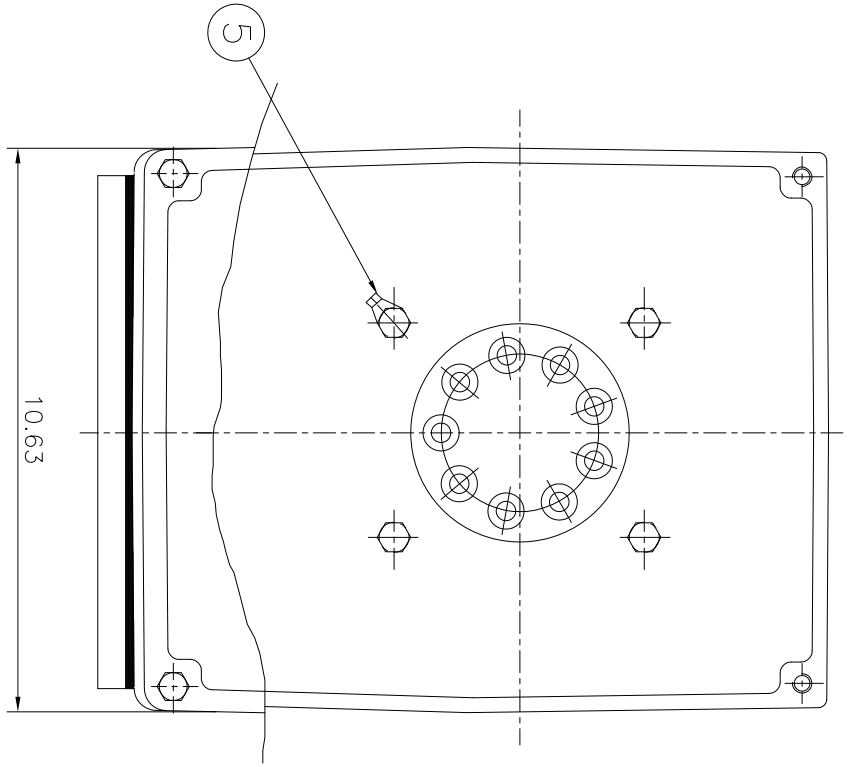
Type :	PLP125-12-445T	
FULL LOAD TORQUE :	564.8	lb.ft
J OF LOAD :	-	lb.ft ²
J OF MOTOR :	89.8	lb.ft ²

125	HP	6	P	60	Hz
RATED SPEED :			1185 rpm		
VOLTAGE		460 V	575 V		
RATED CURRENT		147.7A	118.1A		



— THERMAL LIMIT CURVE AT COLD CONDITION
- - THERMAL LIMIT CURVE AT HOT CONDITION

STARTING TIME	SAFE STALL TIME
- at rated voltage starting	23 sec. at Hot condition
- at 80% of rated voltage starting	27 sec. at Cold condition



▽	SOS
▽▽	12.5S
▽▽▽	3.2S
▽▽▽▽	0.4S

REV	DATE	CONTENTS	REV'D BY	CHK'D BY	CHK'D BY	APP'D BY	250-	5
1								
2								
3								
4								
5								

구분/용량	구분/용량
1-4	6-30
4-18	30-120
18-63	120-315
63-250	315-1000
±0.1	±0.5
±0.2	±0.8
±0.3	±1.2
±0.5	±2.0
±0.8	±3.0

1	EARTH TERMINAL LUG								
1	CABLE ENTRY PLATE								
1	GASKET	NBR							
1	TERMINAL BOX COVER	CAST IRON							
1	TERMINAL BOX BODY	CAST IRON							
Q'TY	DESCRIPTION	MATERIAL	DIMENSION	WEIGHT	PART NO.	REMARK	NO.		
APP'D BY	KANG KREONG JUNG	UNIT	INCH	Non Scale					
CHK'D BY	KIM JIN HONG	SCALE							
CHK'D BY	KIM OK JIN	PROJEC'N	3차 (3rd Angle)						
DSND BY	KIM RYANG GYU	DATE	2011-10-21						
TITLE		SUBJECT							
Main Terminal Box Assembly		NEMA 400, 440							
REF. NO.	DWG NO.	PART NO.		REMARK		NO.			
	3M-016882								
Sheet No. of		Revision No. 0							



HYUNDAI HEAVY INDUSTRIES CO., LTD.