

MODEL NUMBER	HHI150-18-445TC		
HORSEPOWER	150		
RPM / POLES	1800 / 4		
VOLTAGE / PHASE	460 V / 3		
FRAME	445TC		
ENCLOSURE / DEGREE OF PROTECTION	TEFC / IP55		
FREQUENCY	60 HZ		
FULL LOAD SPEED	1785 RPM		
SERVICE FACTOR	1.15 SF at 40° C / 1.0 SF at 65° C		
INSULATION CLASS	F Class N Varnish		
FULL LOAD AMPS; 460	163.8 A		
LOCKED ROTOR CURRENT (% Full Load)	700 %		
NEMA CODE LETTER	G		
EFFICIENCY / POWER FACTOR	<u>LOAD</u>	<u>EFF.</u>	<u>P.F.</u>
	100 %	95.8 %	88.0 %
	75 %	95.9 %	86.2 %
	50 %	95.0 %	80.6 %
DUTY CYCLE	S1 / Continuous		
TORQUE	<u>FULL LOAD</u>	<u>LRT</u>	<u>BDT</u>
	434.2 lb.ft.	140 %	220 %
NEMA DESIGN	B		
MOMENT OF INERTIA	<u>LOAD (Max.)</u>	<u>MOTOR</u>	
	1855.724 lb.ft. <sup>2</sup>	67.430 lb.ft. <sup>2</sup>	
SOUND PRESSURE LEVEL ( No Load 1 M From Motor)	83 dB(A)		
NUMBER OF STARTS (Hot / Cold)	2 Hot / 3 Cold		
MAX. AMBIENT TEMPERATURE	40° C at 1.15 SF / 65° C at 1.0 SF		
MAX. ELEVATION	3300 Ft. Above Sea Level		
TEMPERATURE RISE (At Full Load)	80° C		
DRIVE-END BEARING	6318C3		
OPPOSITE DRIVE-END BEARING	6316C3		
GREASE TYPE	Mobil Polyrex EM		
MOUNTING	F1 (F2 Suitable), W6, W8, B3, V5, V6		
ROTATION	Bi-Directional		
APPROXIMATE WEIGHT	1700 lbs.		
AREA CLASSIFICATION	Class I, Division 2, Groups A, B, C, D		
INVERTER RATING	10:1 CT / 20:1 VT - Meets NEMA MG1 Part 31		
SPECIFICATION - In Accordance With	NEMA, CSA		



CC 038A

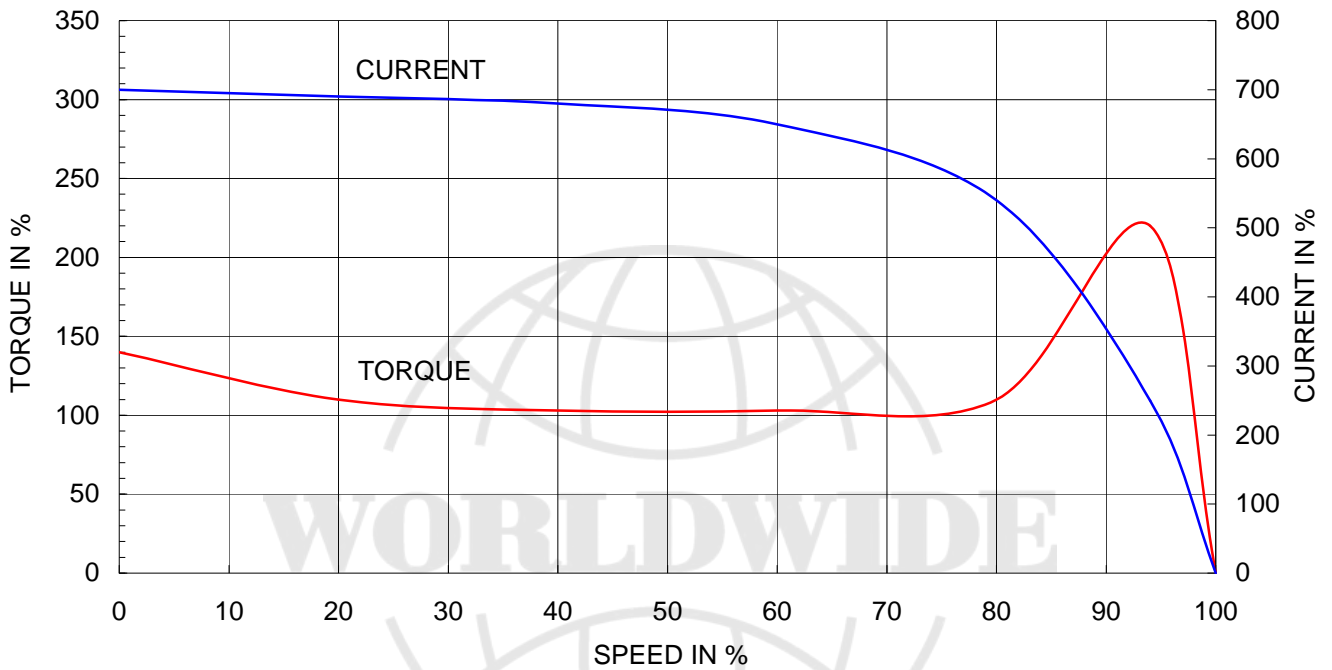




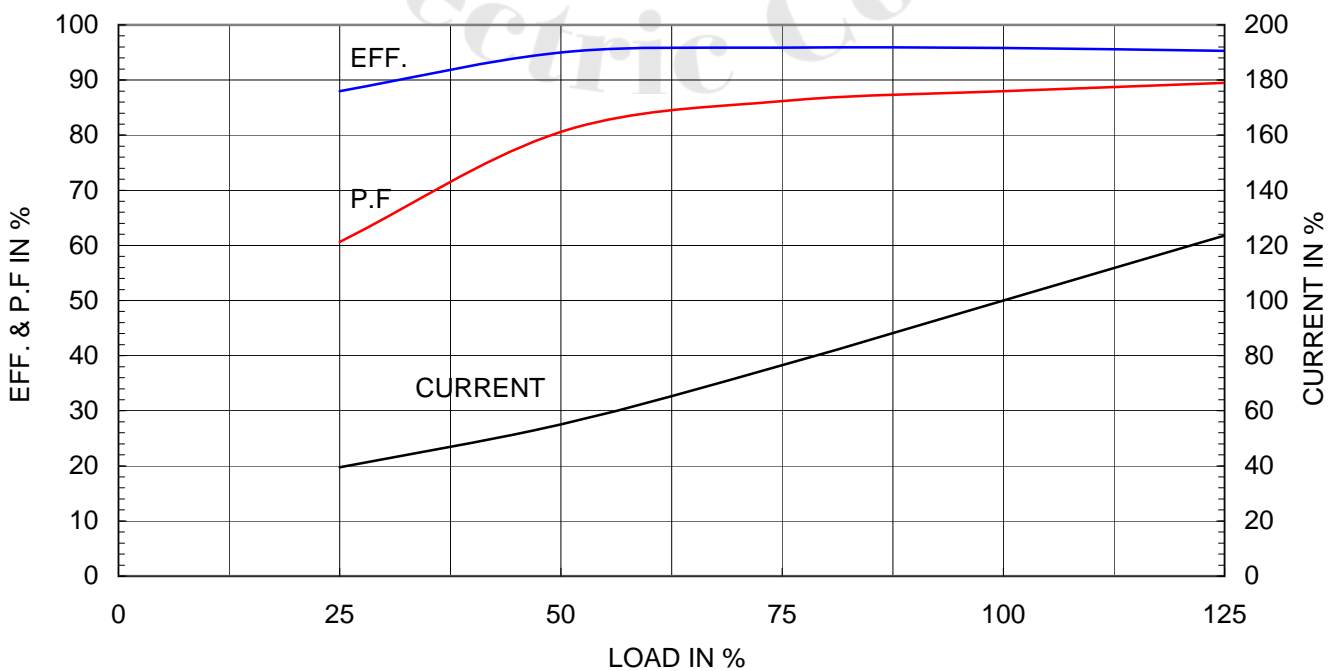
Type	: PLP
Full Load Torque	: 434.2 lb.ft
Motor moment of Inertia (J)	: 67.430 lb.ft <sup>2</sup>
Load moment of Inertia (J)	: 1855.724 lb.ft <sup>2</sup>

110 kW	150 HP	60 Hz
4 P	Rated Speed	: 1785 RPM
Rated Voltage	575V	460V
Full Load Current	131.0A	163.8A

SPEED VS TORQUE & CURRENT CURVE



OUTPUT VS EFF., P.F & CURRENT CURVE



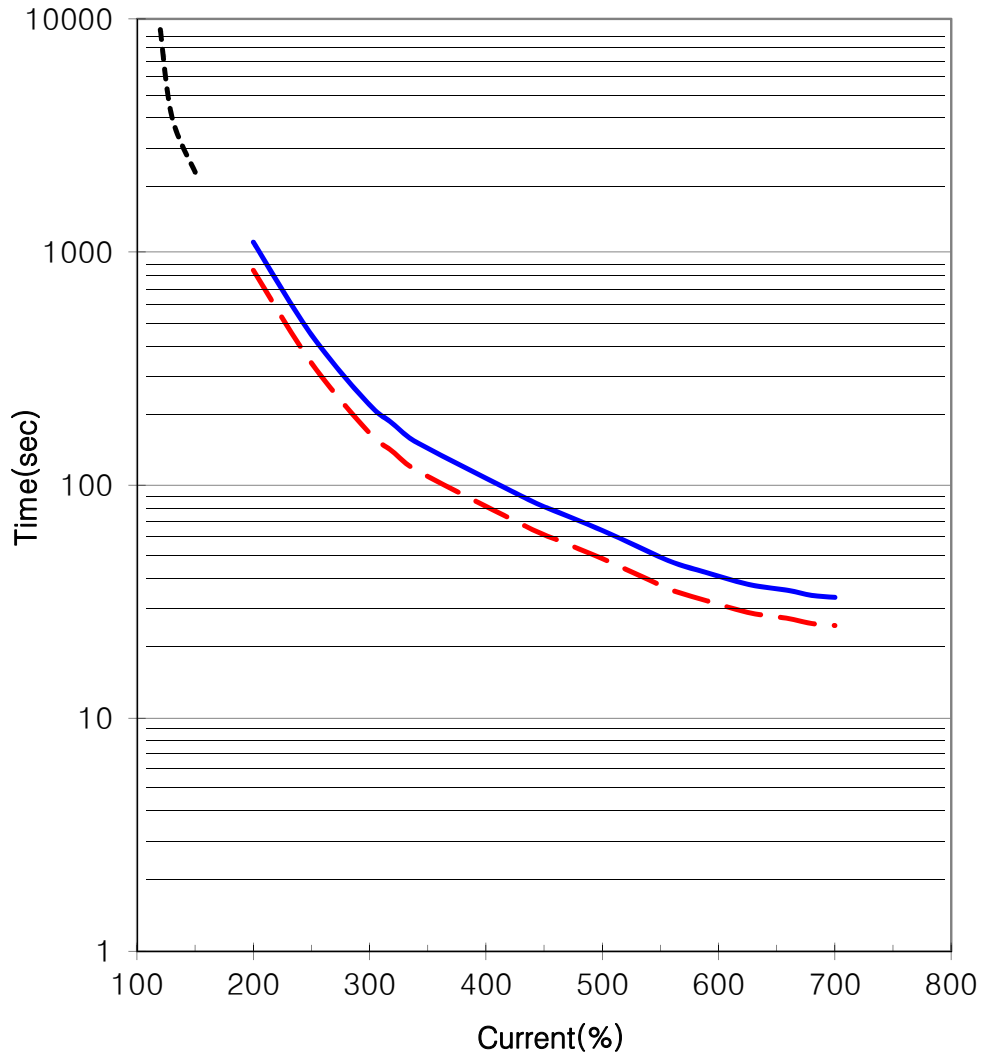


### THERMAL LIMIT & TIME CURRENT CURVE

CURVE NO.

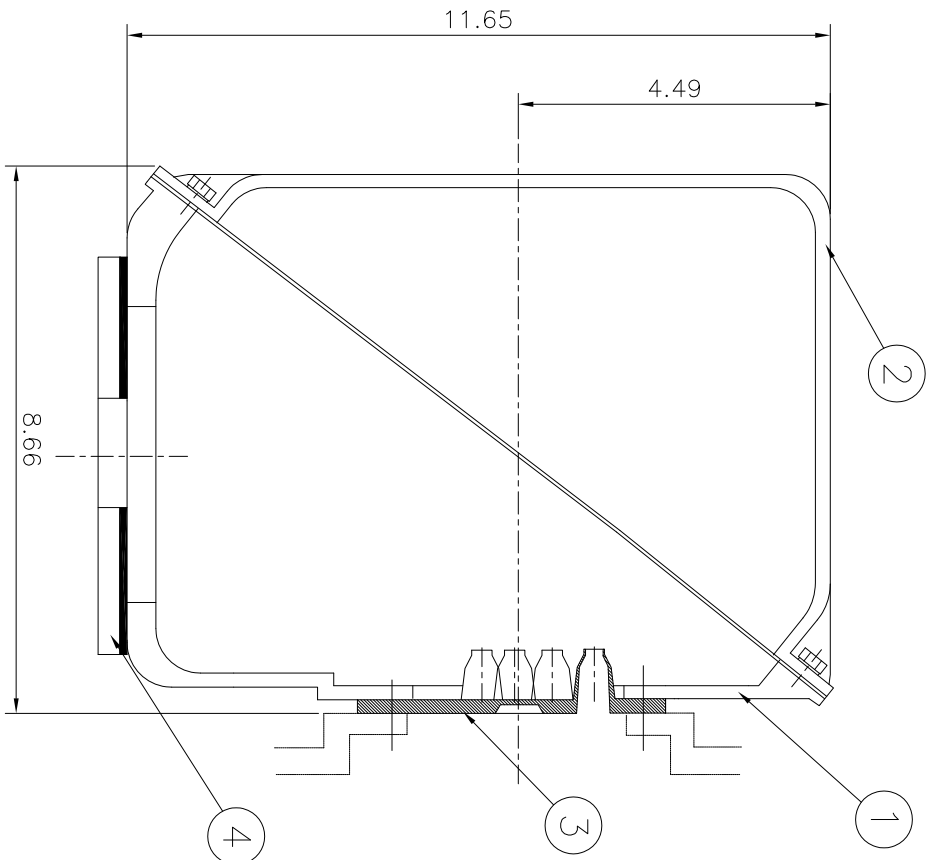
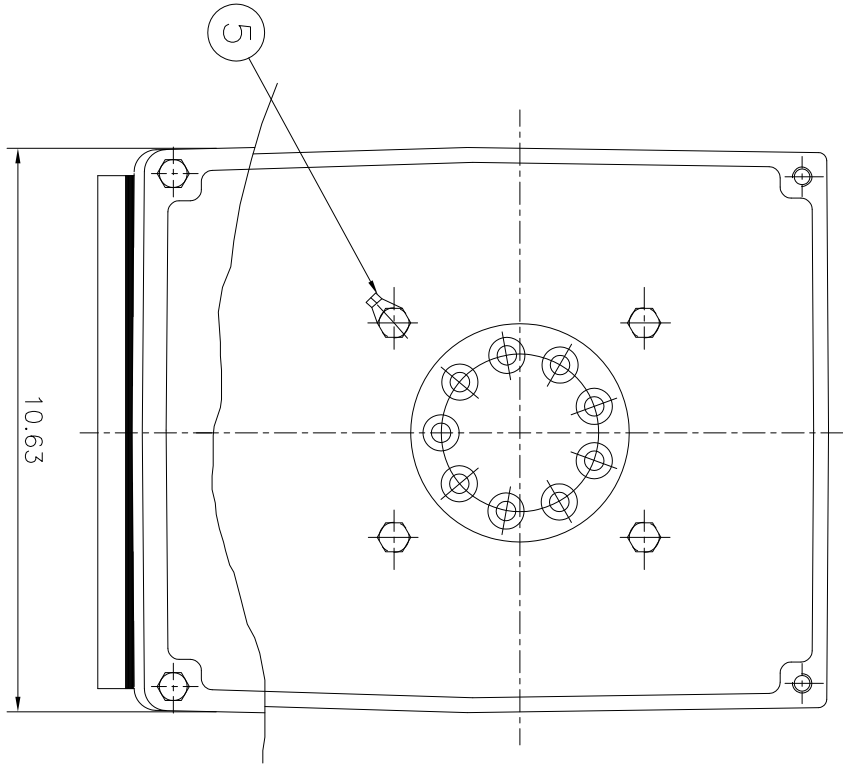
T-PLP150-18-445TC

Type :	PLP150-18-445T	150	HP	4	P	60	Hz
FULL LOAD TORQUE :	434.2	lb.ft	RATED SPEED :		1785 rpm		
J OF LOAD :	-	lb.ft <sup>2</sup>	VOLTAGE		460 V	575 V	
J OF MOTOR :	67.4	lb.ft <sup>2</sup>	RATED CURRENT		163.8A	131.0A	



— THERMAL LIMIT CURVE AT COLD CONDITION  
- - THERMAL LIMIT CURVE AT HOT CONDITION

STARTING TIME	SAFE STALL TIME
- at rated voltage starting	25 sec. at Hot condition
- at 80% of rated voltage starting	33 sec. at Cold condition



▽	SOS
▽▽	12.5S
▽▽▽	3.2S
▽▽▽▽	0.4S

REV	DATE	CONTENTS	REV'D BY	CHK'D BY	CHK'D BY	APP'D BY	250-	5
1								

구분/단위	구분/단위
1-4	6-30
4-18	30-120
18-63	120-315
63-250	315-1000
±0.1	±0.5
±0.2	±0.8
±0.3	±1.2
±0.5	±2.0
±0.8	±3.0

1	EARTH TERMINAL LUG									
1	CABLE ENTRY PLATE									
1	GASKET	NBR								
1	TERMINAL BOX COVER	CAST IRON								
1	TERMINAL BOX BODY	CAST IRON								

APP'D BY	KANG KREONG JUNG	UNIT	INCH	Non Scale
CHK'D BY	KIM JIN HONG	SCALE		
CHK'D BY	KIM OK JIN	PROJEC'N	3차 (3rd Angle)	
DSND BY	KIM RYANG GYU	DATE	2011-10-21	



TITLE	Main Terminal Box Assembly	
SUBJECT	NEMA 400, 440	
WEIGHT		
PART NO.		
REMARK		
DWG SIZE	A3 (1:1)	

REF. NO		SHEET NO.	0
DWG NO	3M-016882	of	
		Revision No.	0