

MODEL NUMBER	HHI20-36-575-256T		
HORSEPOWER	20		
RPM / POLES	3600 / 2		
VOLTAGE / PHASE	575 V / 3		
FRAME	256T		
ENCLOSURE / DEGREE OF PROTECTION	TEFC / IP55		
FREQUENCY	60 HZ		
FULL LOAD SPEED	3535 RPM		
SERVICE FACTOR	1.15 SF at 40° C / 1.0 SF at 65° C		
INSULATION CLASS	F Class N Varnish		
FULL LOAD AMPS; 575	18.5 A		
LOCKED ROTOR CURRENT (% Full Load)	650 %		
NEMA CODE LETTER	G		
EFFICIENCY / POWER FACTOR	<u>LOAD</u>	<u>EFF.</u>	<u>P.F.</u>
	100 %	91.7 %	89.0 %
	75 %	91.7 %	87.2 %
	50 %	91.2 %	82.0 %
DUTY CYCLE	S1 / Continuous		
TORQUE	<u>FULL LOAD</u>	<u>LRT</u>	<u>BDT</u>
	29.9 lb.ft.	180 %	250 %
NEMA DESIGN	B		
MOMENT OF INERTIA	<u>LOAD (Max.)</u>	<u>MOTOR</u>	
	54.580 lb.ft. ²	1.163 lb.ft. ²	
SOUND PRESSURE LEVEL (No Load 1 M From Motor)	79 dB(A)		
NUMBER OF STARTS (Hot / Cold)	2 Hot / 3 Cold		
MAX. AMBIENT TEMPERATURE	40° C at 1.15 SF / 65° C at 1.0 SF		
MAX. ELEVATION	3300 Ft. Above Sea Level		
TEMPERATURE RISE (At Full Load)	80° C		
DRIVE-END BEARING	6309ZC3		
OPPOSITE DRIVE-END BEARING	6309ZC3		
GREASE TYPE	Mobil Polyrex EM		
MOUNTING	F1 (F2 Suitable), W6, W8, B3, V5, V6		
ROTATION	Bi-Directional		
APPROXIMATE WEIGHT	300 lbs.		
AREA CLASSIFICATION	Class I, Division 2, Groups A, B, C, D		
INVERTER RATING	10:1 CT / 20:1 VT - Meets NEMA MG1 Part 31		
SPECIFICATION - In Accordance With	NEMA, CSA		



CC 038A





TEFC

THREE PHASE INDUCTION MOTOR

TYPE

LP, JP

CAST IRON FRAME

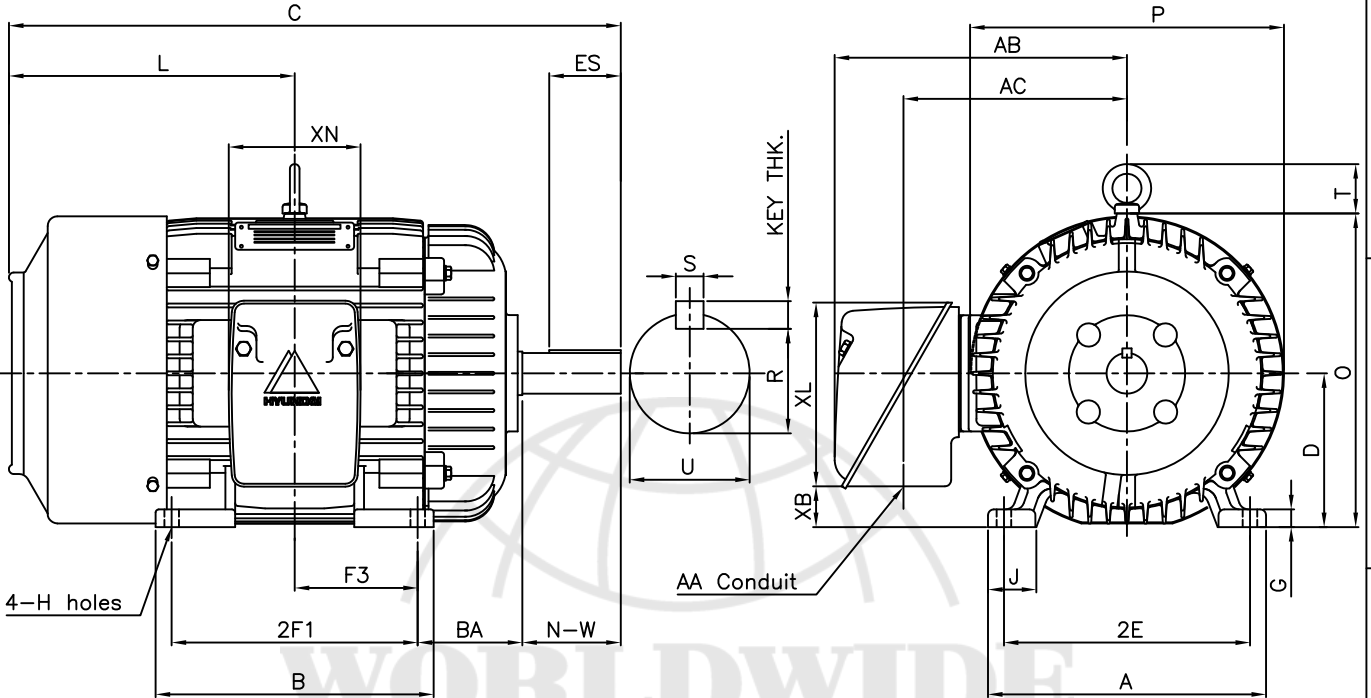
FRAME SIZE

OUTPUT(HP)

POLES

Hz

TIME RATING



DIMENSIONS

MOUNTING									CONDUIT BOX						APPROX. WGT.(LB)
A	B	2E	2F1	2F2	F3	G	J	H	AA	AB	AC	XB	XL	XN	
11.30	11.30	10.00	10.00	-	5.00	0.72	1.93	0.53	1.25	11.88	9.08	2.63	7.56	6.61	300

OVERALL							SHAFT					KEY THK.	BEARING	
BA	C	D	L	O	P	T	U	N-W	KEYWAY				DRIVE END	OPP. DRIVE END
									R	ES	S			
4.25	24.86	6.25	11.61	12.75	12.76	2.01	1.625	4.00	1.416	2.91	0.375	0.375	6309ZC3	6309ZC3

NOTE

- 1.Dimension "D" tolerance : +0.00inch - 0.03inch
- 2.Dimension "U" tolerance : +0.000inch - 0.001inch
- 3.Dimension "R" tolerance : +0.000inch - 0.015inch

APPD BY	J. H. KIM	UNIT	INCH	SUBJECT	NEMA 256T	CAD PROJ \ FILE
CHKD BY	K. S. LEE	SCALE	1/8			XSMOUTN\A1108AA
CHKD BY		PROJEC'N	3rd Angle	TITLE OUTLINE		
DSND BY	KIM IN KYU	DATE	2010.12.31			

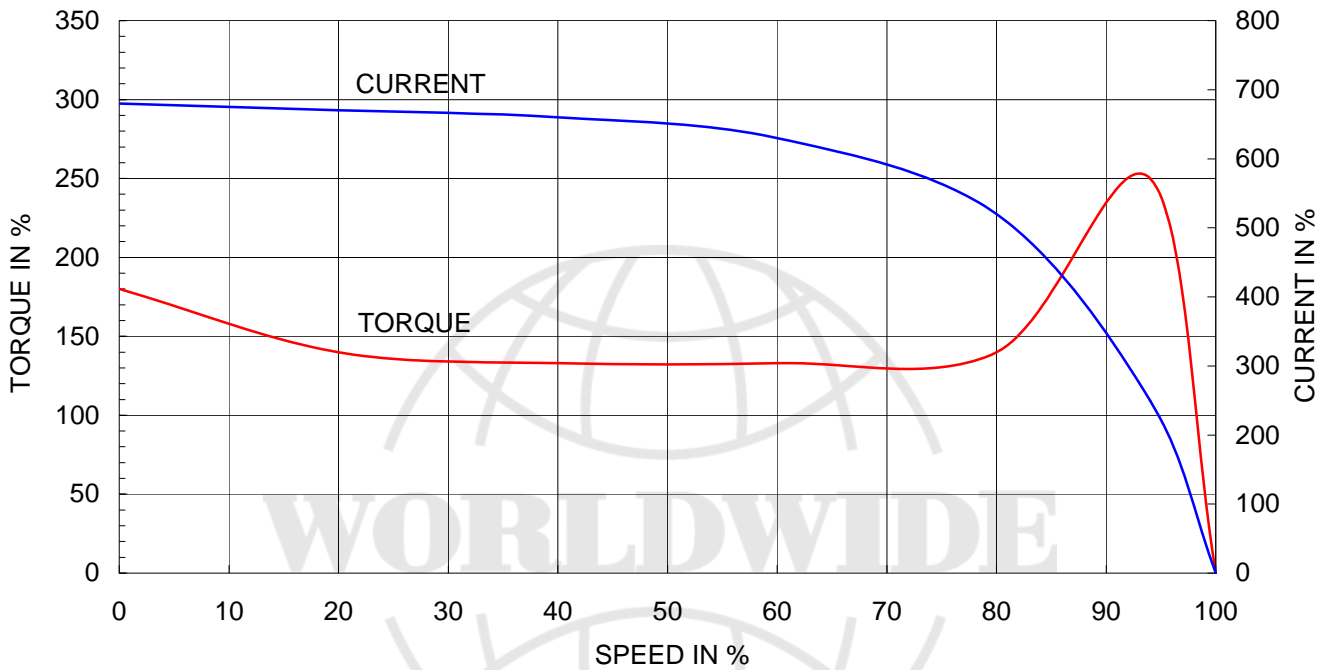


REF. NO	A1108AA	Sheet No. of
DWG NO	350A1108AA	Revision No. 0

Type	: PLP
Full Load Torque	: 29.9 lb.ft
Motor moment of Inertia (J)	: 1.163 lb.ft ²
Load moment of Inertia (J)	: 54.580 lb.ft ²

15 kW	20 HP	60 Hz	
2 P	Rated Speed : 3535 RPM		
Rated Voltage	575V	460V	230V
Full Load Current	18.5A	23.1A	46.2A

SPEED VS TORQUE & CURRENT CURVE



OUTPUT VS EFF., P.F & CURRENT CURVE

