

MODEL NUMBER	HHI25-12-324TC		
HORSEPOWER	25		
RPM / POLES	1200 / 6		
VOLTAGE / PHASE	230 / 460 V / 3		
FRAME	324TC		
ENCLOSURE / DEGREE OF PROTECTION	TEFC / IP55		
FREQUENCY	60 HZ		
FULL LOAD SPEED	1175 RPM		
SERVICE FACTOR	1.15 SF at 40° C / 1.0 SF at 65° C		
INSULATION CLASS	F Class N Varnish		
FULL LOAD AMPS; 230 / 460	62.4 / 31.2 A Usable On 208 V At 69.0 A		
LOCKED ROTOR CURRENT (% Full Load)	680 / 680 %		
NEMA CODE LETTER	H		
EFFICIENCY / POWER FACTOR	<u>LOAD</u>	<u>EFF.</u>	<u>P.F.</u>
	100 %	93.0 %	80.0 %
	75 %	93.2 %	76.5 %
	50 %	92.0 %	68.5 %
DUTY CYCLE	S1 / Continuous		
TORQUE	<u>FULL LOAD</u>	<u>LRT</u>	<u>BDT</u>
	110.9 lb.ft.	160 %	220 %
NEMA DESIGN	B		
MOMENT OF INERTIA	<u>LOAD (Max.)</u>	<u>MOTOR</u>	
	783.106 lb.ft. ²	8.094 lb.ft. ²	
SOUND PRESSURE LEVEL (No Load 1 M From Motor)	69 dB(A)		
NUMBER OF STARTS (Hot / Cold)	2 Hot / 3 Cold		
MAX. AMBIENT TEMPERATURE	40° C at 1.15 SF / 65° C at 1.0 SF		
MAX. ELEVATION	3300 Ft. Above Sea Level		
TEMPERATURE RISE (At Full Load)	80° C		
DRIVE-END BEARING	6313ZC3		
OPPOSITE DRIVE-END BEARING	6211ZC3		
GREASE TYPE	Mobil Polyrex EM		
MOUNTING	F1 (F2 Suitable), W6, W8, B3, V5, V6		
ROTATION	Bi-Directional		
APPROXIMATE WEIGHT	550 lbs.		
AREA CLASSIFICATION	Class I, Division 2, Groups A, B, C, D		
INVERTER RATING	10:1 CT / 20:1 VT - Meets NEMA MG1 Part 31		
SPECIFICATION - In Accordance With	NEMA, CSA		



CC 038A



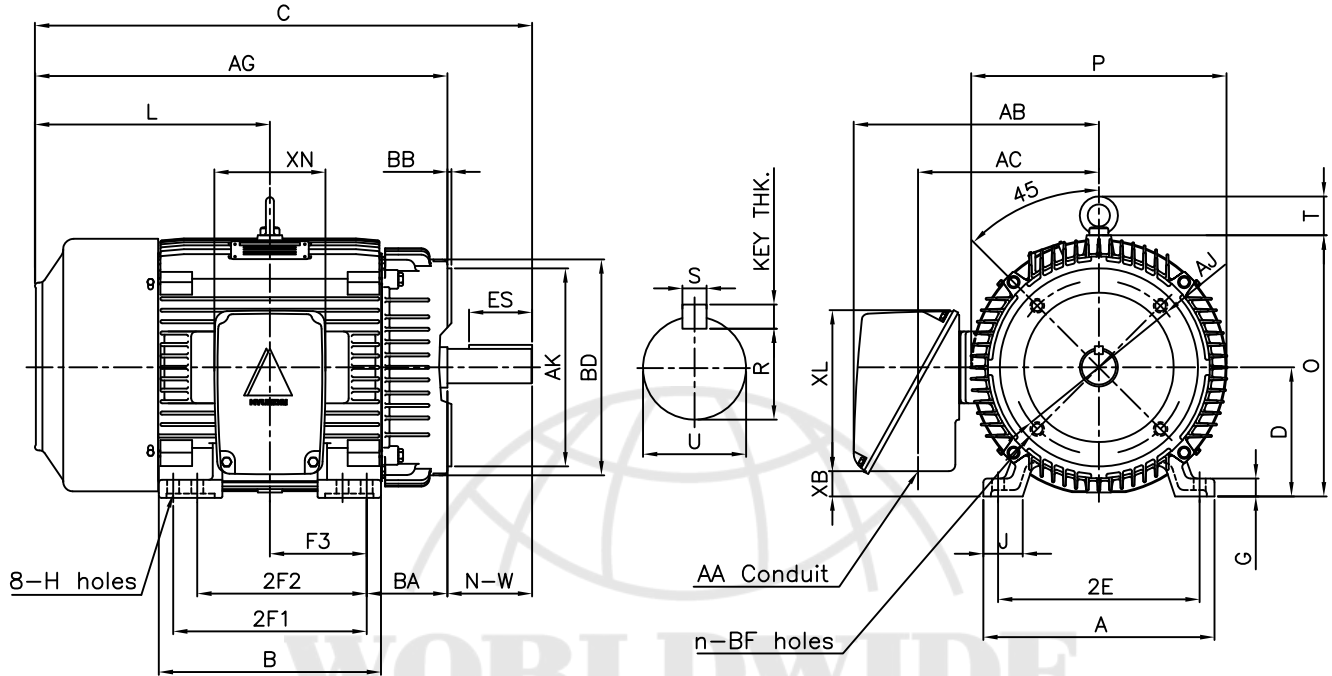
FRAME SIZE

OUTPUT(HP)

POLES

Hz

TIME RATING



F L A N G E						M O U N T I N G									
AJ	AK	BD	BB	BF	n	A	B	2E	2F1 ⁵⁾	2F2 ⁴⁾	F3	G	J	H	
11.0	12.50	13.27	0.25	5/8-11	4	14.33	13.78	12.50	12.00	10.50	6.00	1.11	2.36	0.66	

C O N D U I T B O X						O V E R A L L								APPROX. WGT.(LB)	
AA	AB	AC	XB	XL	XN	AG	BA	C	D	L	O	P	T	324T	326T
2.00	15.20	11.21	1.57	10.16	7.01	25.82	5.25	31.07	8.00	14.57	16.19	15.84	2.41	550	560

S H A F T					KEY THK.	B E A R I N G	
U	N-W	KEYWAY				DRIVE END	OPP. DRIVE END
		R	ES	S			
2.125	5.25	1.845	3.91	0.500	0.500	6313ZC3	6211ZC3

NOTE

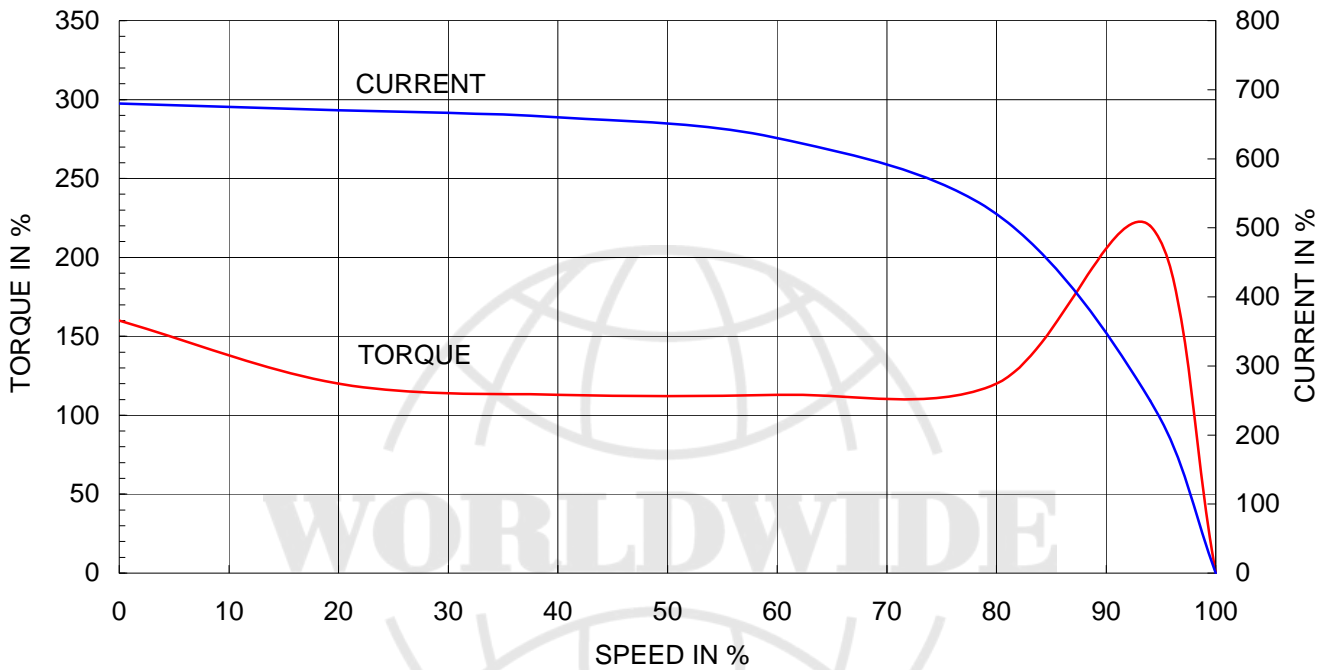
- 1.Dimension "D" tolerance : +0.00inch - 0.03inch
- 2.Dimension "U" tolerance : +0.000inch - 0.001inch
- 3.Dimension "R" tolerance : +0.000inch - 0.015inch
- 4.Location of holes for 324TC frame
- 5.Location of holes for 326TC frame

APPD BY	KIM.Y.S	UNIT	INCH	SUBJECT	NEMA 324TC/326TC	CAD PROJ \ FILE	XSMOUTN\A1312BA	
CHKD BY	KO.S.H	SCALE	1/12					
CHKD BY		PROJEC'N	3rd Angle	TITLE				OUTLINE
DSND BY	LEE KWANG SOO	DATE	2004.04.02					

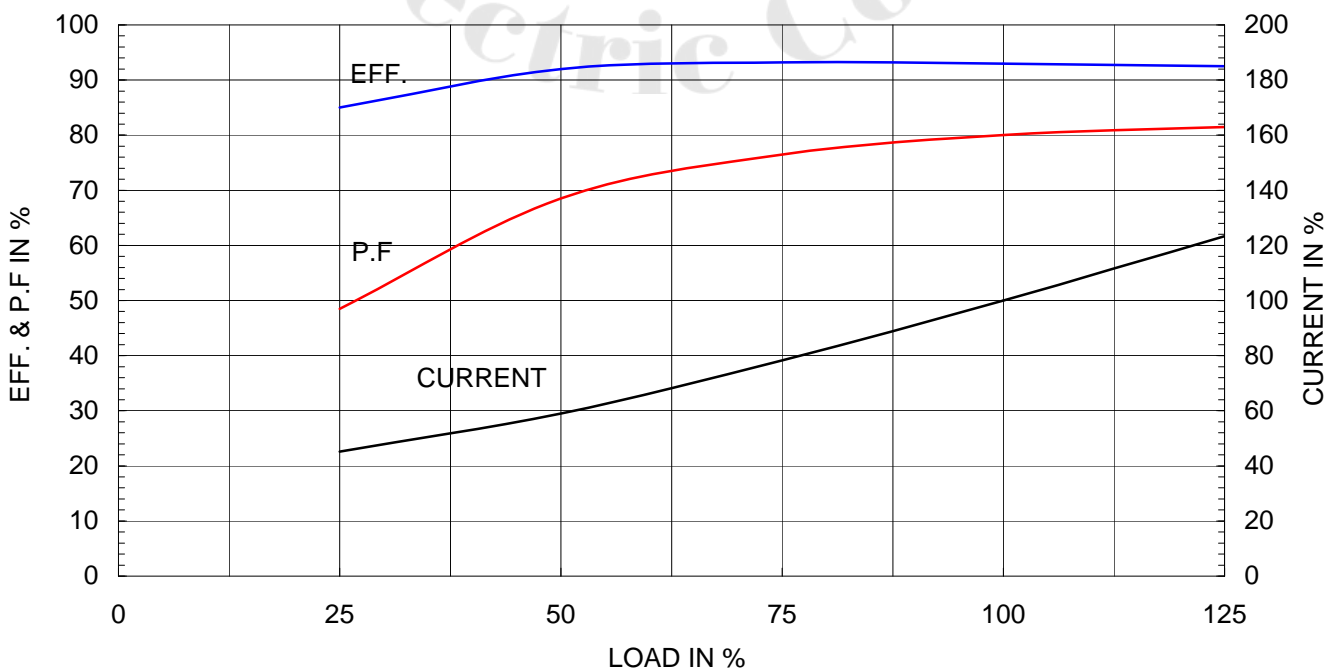
Type	: PLP
Full Load Torque	: 110.9 lb.ft
Motor moment of Inertia (J)	: 8.094 lb.ft ²
Load moment of Inertia (J)	: 783.106 lb.ft ²

18.5 kW	25 HP	60 Hz	
6 P	Rated Speed	: 1175 RPM	
Rated Voltage	575V	460V	230V
Full Load Current	25.0A	31.2A	62.4A

SPEED VS TORQUE & CURRENT CURVE



OUTPUT VS EFF., P.F & CURRENT CURVE



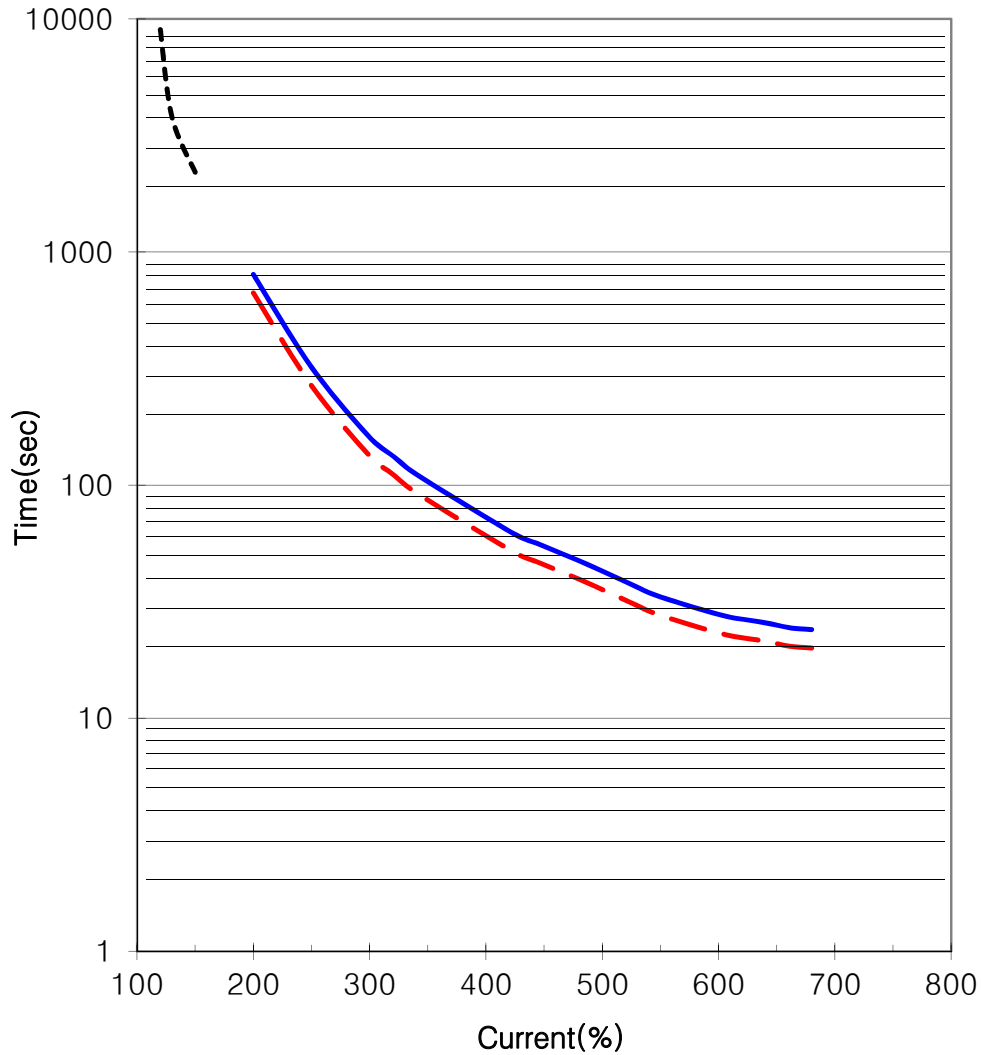


THERMAL LIMIT & TIME CURRENT CURVE

CURVE NO.

T-PLP25-12-324TC

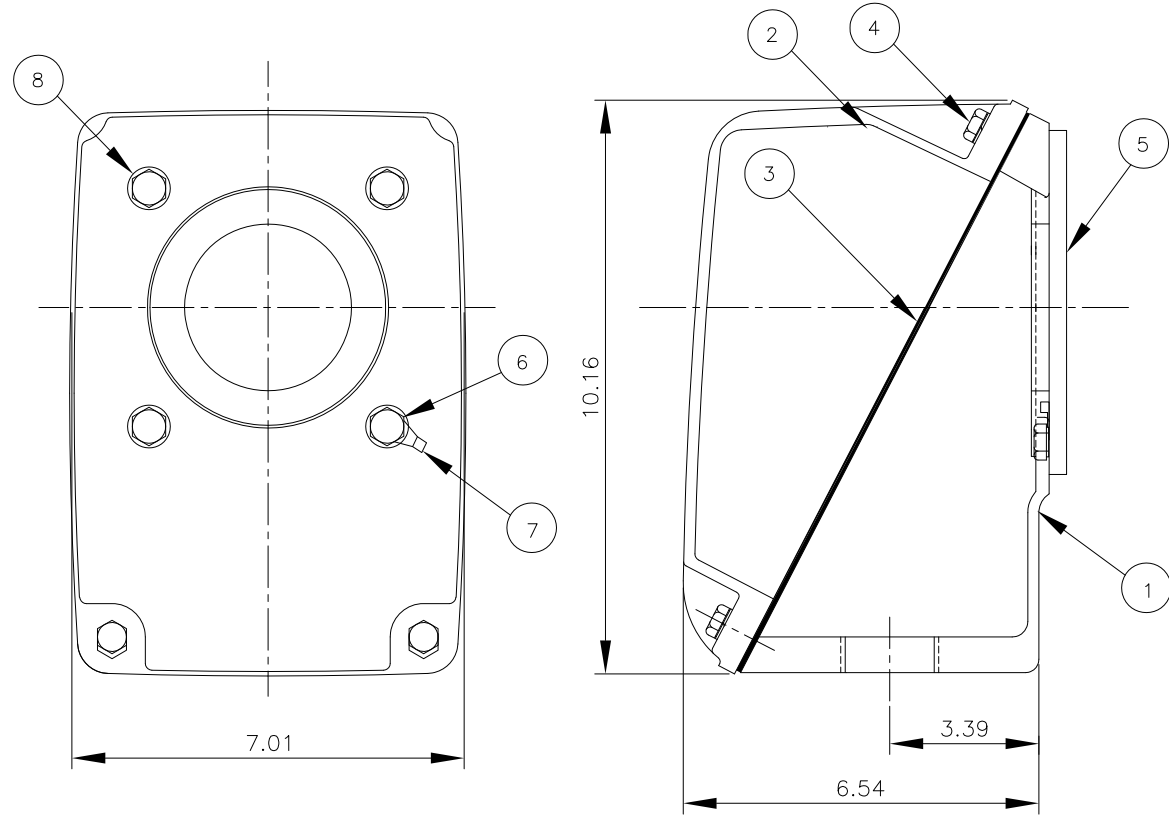
Type :	PLP25-12-324T	25 HP	6 P	60 Hz
FULL LOAD TORQUE :	110.9 lb.ft	RATED SPEED :		1175 rpm
J OF LOAD :	- lb.ft ²	VOLTAGE	460 V	575 V
J OF MOTOR :	8.1 lb.ft ²	RATED CURRENT	31.2A	25.0A



— THERMAL LIMIT CURVE AT COLD CONDITION
- - THERMAL LIMIT CURVE AT HOT CONDITION

STARTING TIME	SAFE STALL TIME
- at rated voltage starting	20 sec. at Hot condition
- at 80% of rated voltage starting	24 sec. at Cold condition

THIS DRAWING IS PROPRIETARY TO HHI. NO PART OF THIS DRAWING MAYBE REPRODUCED WITHOUT THE PERMISSION OF HHI.



PT	DESCRIPTION	MATERIAL	DIMENSION	Q,TY
1	CONDUIT BOX	FC20		1
2	C/B COVER	FC20		1
3	GASKET(COVER)	N.B.R	T2X170X210	1
4	SCREW(COVER)	S45C	M8XL20	4
5	GASKET(C/B)	N.B.R		1
6	SCREW(C/B)	S45C	M8XL20	4
7	TERMINAL GROUND	CU	T1.6	1
8	WASHER	S45C	M8 X L10	4

▽	50S
▽▽	12.5S
▽▽▽	3.2S
▽▽▽▽	0.4S

REV	DATE	CONTENTS	REVD BY	CHKD BY	CHKD BY	APPD BY
1						

일반기준공차		일반계관공차	
1-4	±0.1	6-30	±0.5
4-18	±0.2	30-120	±0.8
18-63	±0.3	120-315	±1.2
63-250	±0.5	315-1000	±2.0
250-	±0.8	1000-	±3.0

Q'TY	DESCRIPTION	MATERIAL	DIMENSION	WEIGHT	PART NO.	REMARK	NO.
APPD BY	KANG KYEONG JUNG	UNIT	INCH	SUBJECT	NEMA 320		DWG SIZE
CHKD BY	LEE NOH DUK	SCALE	1/2	TITLE			A3 (1:30)
CHKD BY	KIM IN KYU	PROJEC'N	3각법(3rd Angle)				
DSND BY	KIM EUN SEONG	DATE	2011-08-30	Main Terminal Box Assembly			
REF. NO	227B8003CB5	Sheet No.	of				
DWG NO	3M-145864	Revision No.	0				