

MODEL NUMBER	HHI30-18-286TCRD		
HORSEPOWER	30		
RPM / POLES	1800 / 4		
VOLTAGE / PHASE	230 / 460 V / 3		
FRAME	286TC – Round Body		
ENCLOSURE / DEGREE OF PROTECTION	TEFC / IP55		
FREQUENCY	60 HZ		
FULL LOAD SPEED	1775 RPM		
SERVICE FACTOR	1.15 SF at 40° C / 1.0 SF at 65° C		
INSULATION CLASS	F Class N Varnish		
FULL LOAD AMPS; 230 / 460	72.0 / 36.0 A Usable On 208 V At 79.6 A		
LOCKED ROTOR CURRENT (% Full Load)	680 / 680 %		
NEMA CODE LETTER	H		
EFFICIENCY / POWER FACTOR	<u>LOAD</u>	<u>EFF.</u>	<u>P.F.</u>
	100 %	93.6 %	82.0 %
	75 %	93.8 %	79.5 %
	50 %	93.0 %	73.0 %
DUTY CYCLE	S1 / Continuous		
TORQUE	<u>FULL LOAD</u>	<u>LRT</u>	<u>BDT</u>
	87.3 lb.ft.	170 %	220 %
NEMA DESIGN	B		
MOMENT OF INERTIA	<u>LOAD (Max.)</u>	<u>MOTOR</u>	
	397.486 lb.ft. <sup>2</sup>	5.578 lb.ft. <sup>2</sup>	
SOUND PRESSURE LEVEL ( No Load 1 M From Motor)	75 dB(A)		
NUMBER OF STARTS (Hot / Cold)	2 Hot / 3 Cold		
MAX. AMBIENT TEMPERATURE	40° C at 1.15 SF / 65° C at 1.0 SF		
MAX. ELEVATION	3300 Ft. Above Sea Level		
TEMPERATURE RISE (At Full Load)	80° C		
DRIVE-END BEARING	6310ZC3		
OPPOSITE DRIVE-END BEARING	6310ZC3		
GREASE TYPE	Mobil Polyrex EM		
MOUNTING	F1 (F2 Suitable), W6, W8, B3, V5, V6		
ROTATION	Bi-Directional		
APPROXIMATE WEIGHT	410 lbs.		
AREA CLASSIFICATION	Class I, Division 2, Groups A, B, C, D		
INVERTER RATING	10:1 CT / 20:1 VT - Meets NEMA MG1 Part 31		
SPECIFICATION - In Accordance With	NEMA, CSA		



CC 038A





# TEFC

**THREE PHASE INDUCTION MOTOR**

**TYPE**

LP, JP  
CAST IRON FRAME

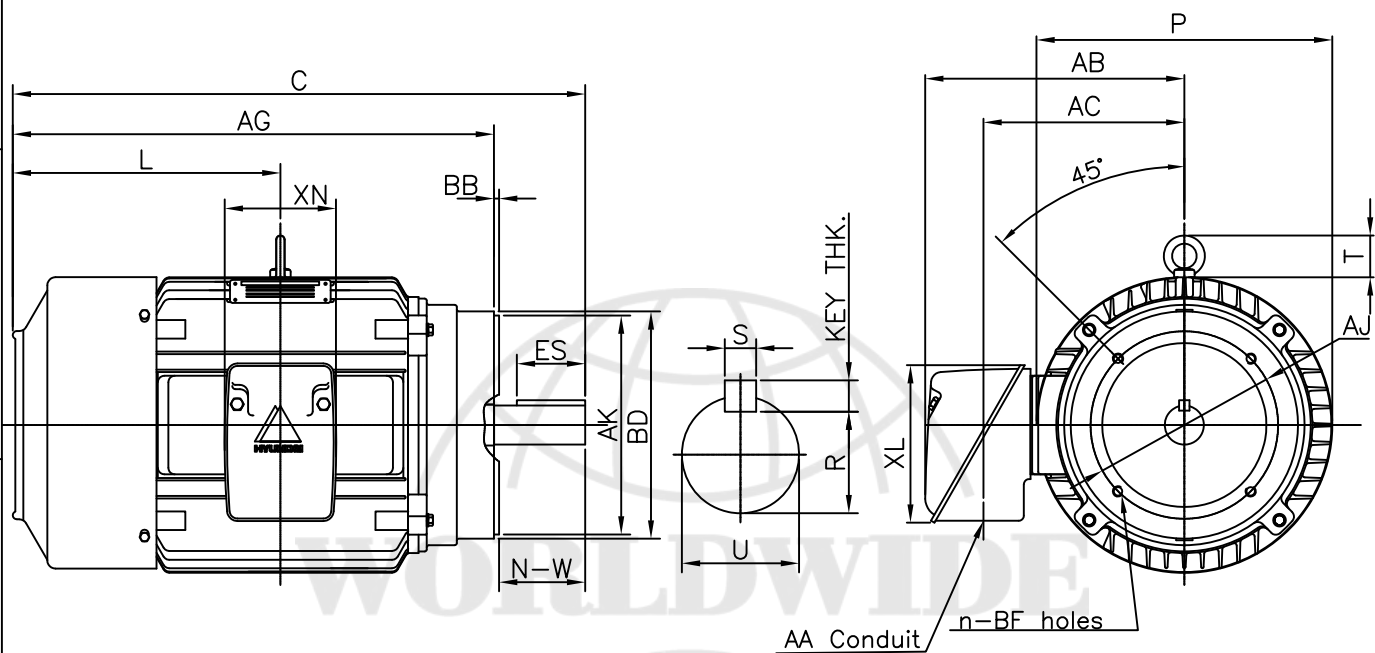
FRAME SIZE

OUTPUT(HP)

POLES

Hz

TIME RATING



DIMENSIONS

F L A N G E						CONDUIT BOX					APPROX. WGT.(LB)
AJ	AK	BD	BB	BF	n	AA	AB	AC	XL	XN	
9.00	10.50	10.90	0.25	1/2-13	4	1.50	12.43	9.64	7.56	6.61	410

O V E R A L L					S H A F T					KEY THK.	B E A R I N G	
AG	C	L	P	T	U	N-W	KEYWAY				DRIVE END	OPP. DRIVE END
							R	ES	S			
23.09	27.71	12.84	14.19	2.01	1.875	4.62	1.591	3.28	0.500	0.500	6310ZC3	6310ZC3

NOTE

1. Dimension "U" tolerance : +0.000inch - 0.001inch
2. Dimension "R" tolerance : +0.000inch - 0.015inch
3. Dimension "AK" tolerance : +0.000inch - 0.003inch

APPD BY	Y. S. KIM	UNIT	mm	SUBJECT	NEMA 286TC	CAD PROJ \ FILE	
CHKD BY	S. H. KO	SCALE	1/8.5			XSDNKS\A1510AA	
CHKD BY		PROJEC'N	3rd Angle	TITLE <b>OUTLINE</b>			
DSND BY	LEE KWANG SOO	DATE	2004.04.13				
				REF. NO	A1510AA	Sheet No. of	
				DWG NO	350A1510AA	Revision No. 0	