

MODEL NUMBER	HHI30-36-286TSC		
HORSEPOWER	30		
RPM / POLES	3600 / 2		
VOLTAGE / PHASE	230 / 460 V / 3		
FRAME	286TSC		
ENCLOSURE / DEGREE OF PROTECTION	TEFC / IP55		
FREQUENCY	60 HZ		
FULL LOAD SPEED	3560 RPM		
SERVICE FACTOR	1.15 SF at 40° C / 1.0 SF at 65° C		
INSULATION CLASS	F Class N Varnish		
FULL LOAD AMPS; 230 / 460	67.6 / 33.8 A Usable On 208 V At 74.8 A		
LOCKED ROTOR CURRENT (% Full Load)	700 / 700 %		
NEMA CODE LETTER	G		
EFFICIENCY / POWER FACTOR	<u>LOAD</u>	<u>EFF.</u>	<u>P.F.</u>
	100 %	91.7 %	89.0 %
	75 %	91.7 %	87.8 %
	50 %	90.0 %	84.5 %
DUTY CYCLE	S1 / Continuous		
TORQUE	<u>FULL LOAD</u>	<u>LRT</u>	<u>BDT</u>
	43.5 lb.ft.	160 %	230 %
NEMA DESIGN	B		
MOMENT OF INERTIA	<u>LOAD (Max.)</u>	<u>MOTOR</u>	
	67.632 lb.ft. ²	2.089 lb.ft. ²	
SOUND PRESSURE LEVEL (No Load 1 M From Motor)	84 dB(A)		
NUMBER OF STARTS (Hot / Cold)	2 Hot / 3 Cold		
MAX. AMBIENT TEMPERATURE	40° C at 1.15 SF / 65° C at 1.0 SF		
MAX. ELEVATION	3300 Ft. Above Sea Level		
TEMPERATURE RISE (At Full Load)	80° C		
DRIVE-END BEARING	6310ZC3		
OPPOSITE DRIVE-END BEARING	6310ZC3		
GREASE TYPE	Mobil Polyrex EM		
MOUNTING	F1 (F2 Suitable), W6, W8, B3, V5, V6		
ROTATION	Bi-Directional		
APPROXIMATE WEIGHT	410 lbs.		
AREA CLASSIFICATION	Class I, Division 2, Groups A, B, C, D		
INVERTER RATING	10:1 CT / 20:1 VT - Meets NEMA MG1 Part 31		
SPECIFICATION - In Accordance With	NEMA, CSA		



CC 038A





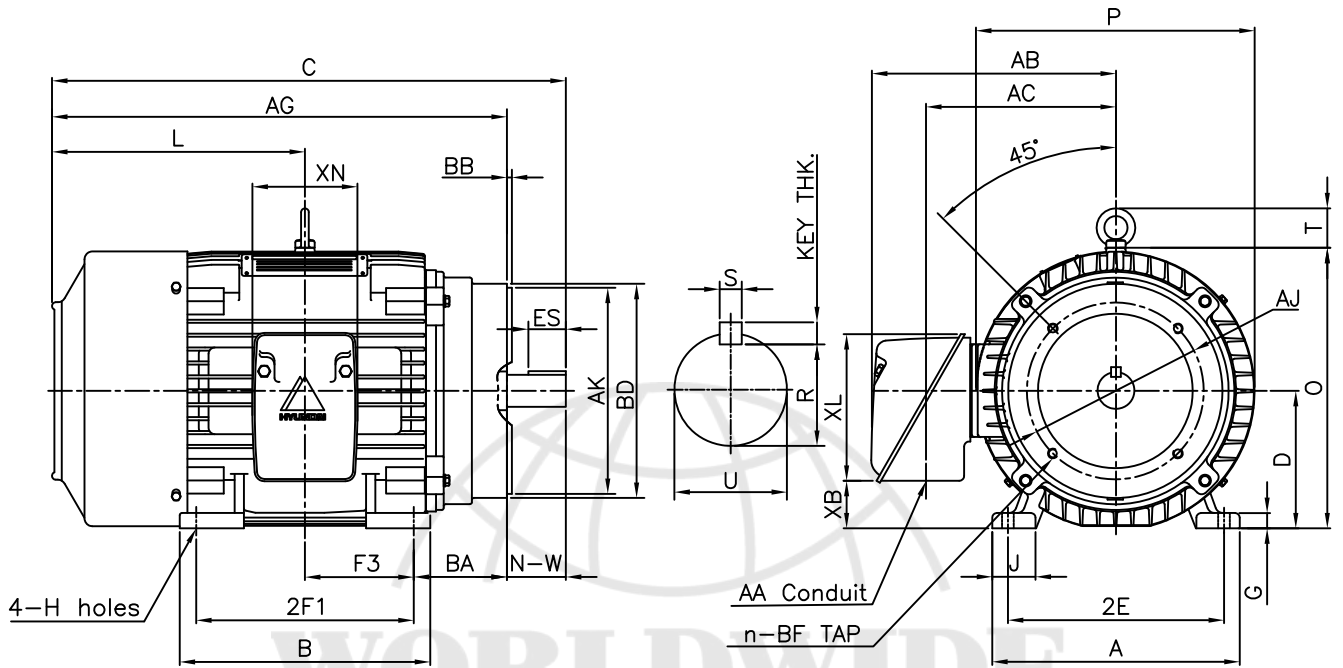
TEFC

THREE PHASE INDUCTION MOTOR

TYPE

LP, JP
CAST IRON FRAME

FRAME SIZE	OUTPUT(HP)	POLES	Hz	TIME RATING



DIMENSIONS

F L A N G E						M O U N T I N G								
AJ	AK	BD	BB	BF	n	A	B	2E	2F1	2F2	F3	G	J	H
9.00	10.50	10.9	0.25	1/2-13	4	12.60	12.68	11.00	11.00	-	5.50	0.78	2.20	0.53

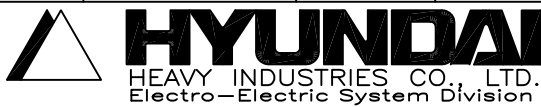
C O N D U I T B O X						O V E R A L L								APPROX. WGT.(LB)
AA	AB	AC	XB	XL	XN	AG	BA	C	D	L	O	P	T	
1.50	12.43	9.64	3.42	7.56	6.61	23.09	4.75	26.34	7.00	12.84	14.28	14.19	2.01	410

S H A F T					KEY THK.	B E A R I N G	
U	N-W	KEYWAY				DRIVE END	OPP. DRIVE END
		R	ES	S			
1.625	3.25	1.416	1.91	0.375	0.375	6310ZC3	6310ZC3

NOTE

- 1.Dimension "D" tolerance : +0.00inch - 0.03inch
- 2.Dimension "U" tolerance : +0.000inch - 0.0005inch
- 3.Dimension "R" tolerance : +0.000inch - 0.015inch

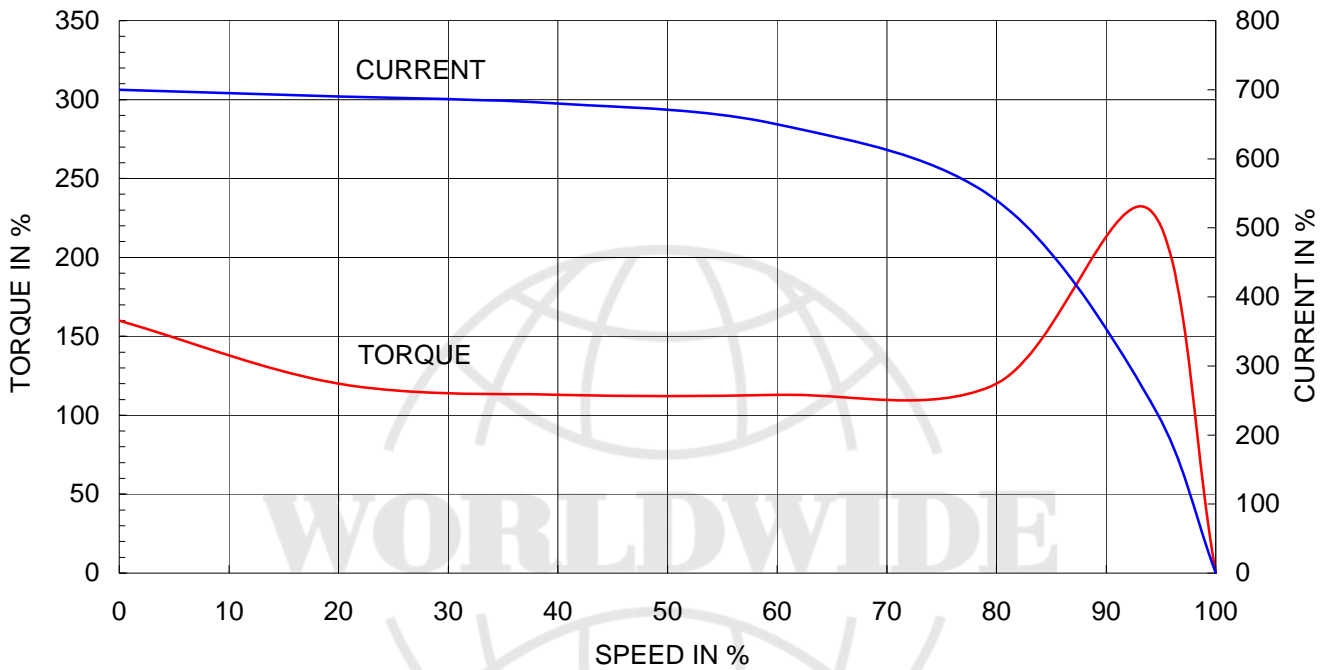
APPD BY	KIM.Y.S	UNIT	INCH	SUBJECT	NEMA 286TSC	CAD PROJ \ FILE	XSMOUTIN\A1310BA	
CHKD BY	KO.S.H	SCALE	1/10			TITLE	OUTLINE	REF. NO
CHKD BY		PROJEC'N	3rd Angle	DWG NO	350A1310BA	Revision No.		0
DSND BY	Y.J.HWANG	DATE	2004.11.19					



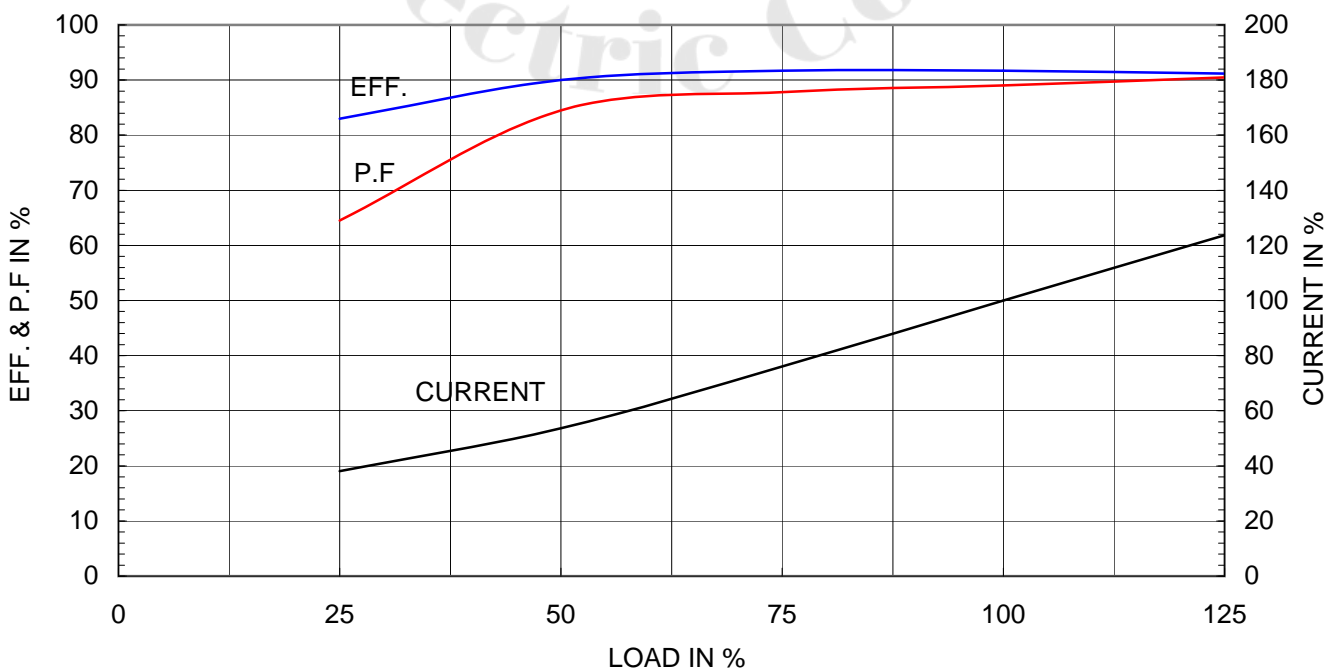
Type :	PLP
Full Load Torque :	43.5 lb.ft
Motor moment of Inertia (J) :	2.089 lb.ft ²
Load moment of Inertia (J) :	67.632 lb.ft ²

22 kW	30 HP	60 Hz	
2 P	Rated Speed :	3560 RPM	
Rated Voltage	575V	460V	230V
Full Load Current	27.0A	33.8A	67.6A

SPEED VS TORQUE & CURRENT CURVE



OUTPUT VS EFF., P.F & CURRENT CURVE



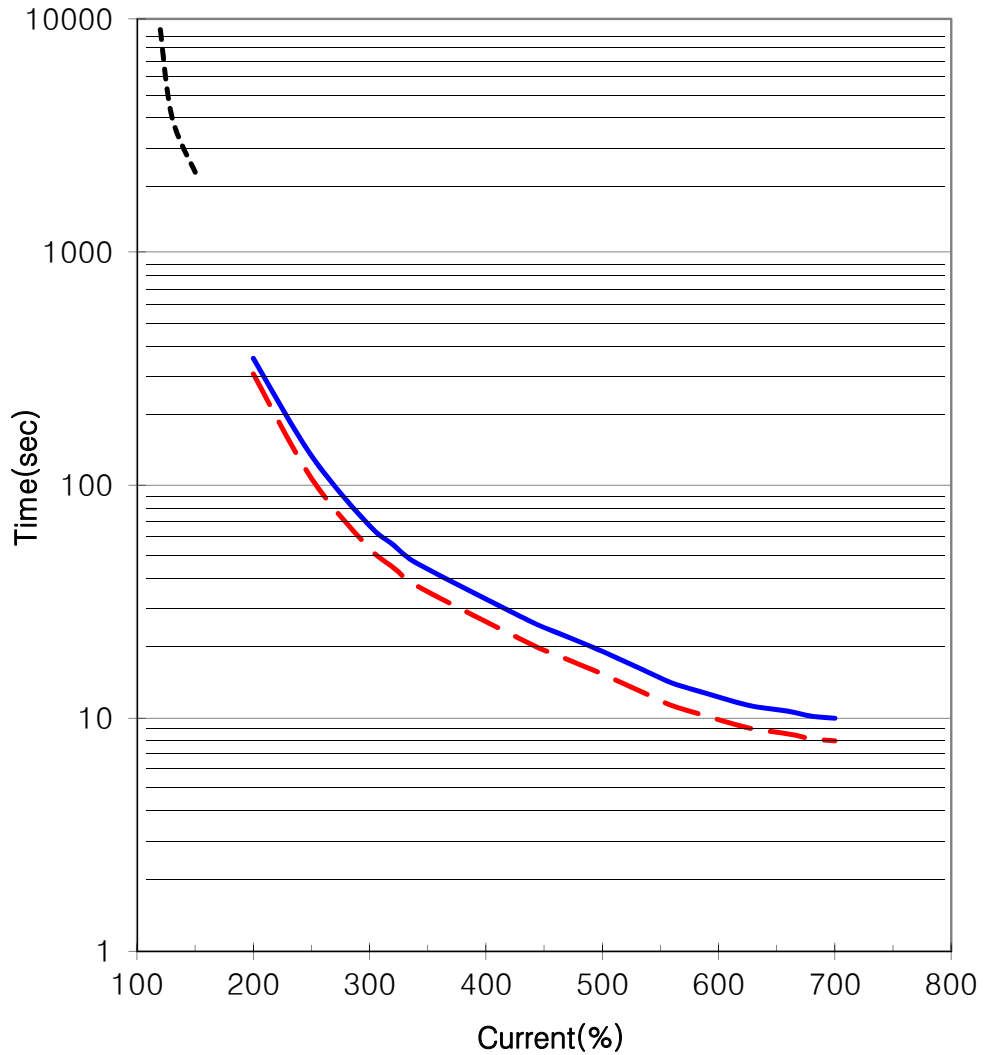


THERMAL LIMIT & TIME CURRENT CURVE

CURVE NO.

T-PLP30-36-286TSC

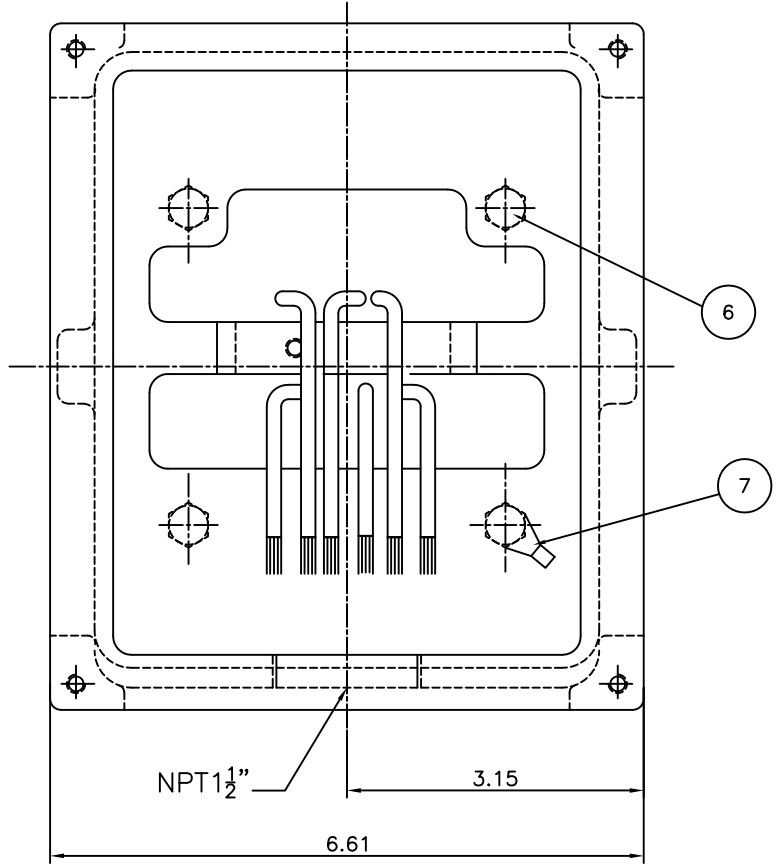
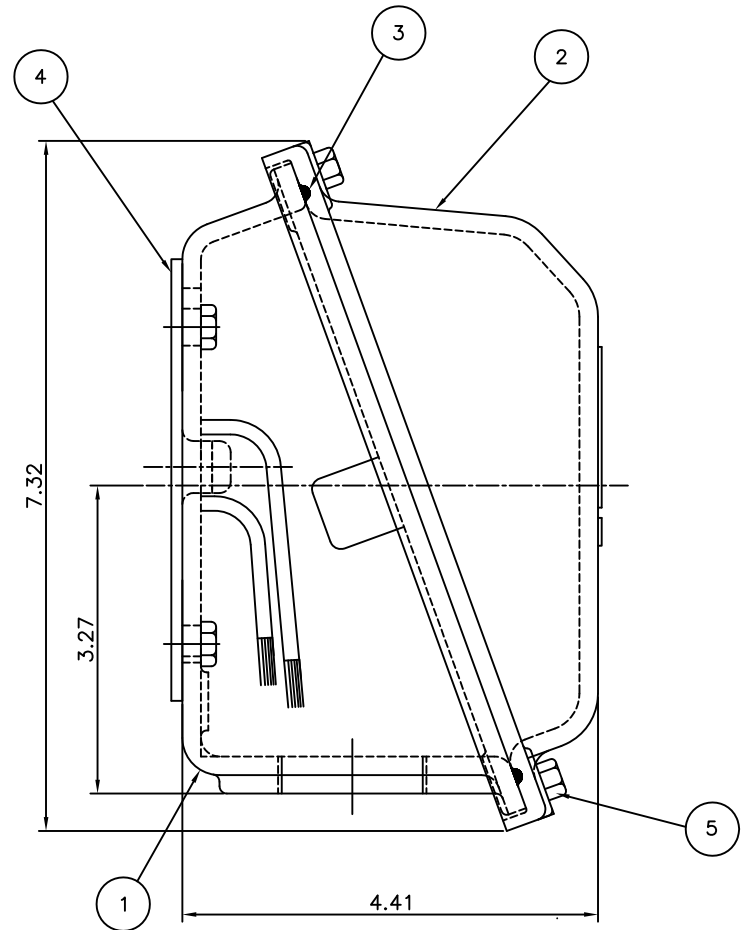
Type :	PLP30-36-286TS	30	HP	2	P	60	Hz
FULL LOAD TORQUE :	43.5 lb.ft	RATED SPEED :		3560 rpm			
J OF LOAD :	- lb.ft²	VOLTAGE		460 V	575 V		
J OF MOTOR :	2.1 lb.ft²	RATED CURRENT		33.8A	27.0A		



— THERMAL LIMIT CURVE AT COLD CONDITION
- - THERMAL LIMIT CURVE AT HOT CONDITION

STARTING TIME	SAFE STALL TIME
- at rated voltage starting	8 sec. at Hot condition
- at 80% of rated voltage starting	10 sec. at Cold condition

THIS DRAWING IS PROPRIETARY TO HHI. NO PART OF THIS DRAWING MAYBE REPRODUCED WITHOUT THE PERMISSION OF HHI.



PT	DESCRIPTION	MATERIAL	DIMENSION	Q'TY
1	CONDUIT BOX	FC15	--	1
2	CONDUIT BOX COVER	FC15	--	1
3	O-RING / COVER	EPDM	φ4	1
4	BOX GASKET	NBR	--	1
5	COVER+BOX HEX BOLT	S45C	M6 X L20	4
6	BOX+FRAME HEX BOLT	S45C	M8 X L20	4
7	GROUND TERMINAL LUG	CU	--	1

Q'TY	DESCRIPTION	MATERIAL	DIMENSION	WEIGHT	PART NO.	REMARK	NO.
APPD BY	KIM.Y.S	UNIT	INCH	SUBJECT	NEMA284/286	CAD PROJ FILE	
CHKD BY	KO.S.H	SCALE	1:1	227B8008NA1			
CHKD BY	---	PROJEC'N	3각법(3rd Angle)	TITLE			
DSND BY	Y.J.HWANG	DATE	2005.02.16	TERMINAL BOX ASSEMBLY			
REF. NO		227B8008NA2		Sheet No. of			
DWG NO		227B8008NA2		Revision No. 0			



REV	DATE	CONTENTS	REVD BY	CHKD BY	CHKD BY	APPD BY
1						
2						
3						
4						