

MODEL NUMBER	HHI50-18-326TCRD		
HORSEPOWER	50		
RPM / POLES	1800 / 4		
VOLTAGE / PHASE	230 / 460 V / 3		
FRAME	326TC(L) – Round Body		
ENCLOSURE / DEGREE OF PROTECTION	TEFC / IP55		
FREQUENCY	60 HZ		
FULL LOAD SPEED	1780 RPM		
SERVICE FACTOR	1.15 SF at 40° C / 1.0 SF at 65° C		
INSULATION CLASS	F Class N Varnish		
FULL LOAD AMPS; 230 / 460	119.8 / 59.9 A Usable On 208 V At 132 A		
LOCKED ROTOR CURRENT (% Full Load)	700 / 700 %		
NEMA CODE LETTER	H		
EFFICIENCY / POWER FACTOR	<u>LOAD</u>	<u>EFF.</u>	<u>P.F.</u>
	100 %	94.5 %	82.0 %
	75 %	94.5 %	79.5 %
	50 %	93.3 %	74.0 %
DUTY CYCLE	S1 / Continuous		
TORQUE	<u>FULL LOAD</u>	<u>LRT</u>	<u>BDT</u>
	146.4 lb.ft.	160 %	220 %
NEMA DESIGN	B		
MOMENT OF INERTIA	<u>LOAD (Max.)</u>	<u>MOTOR</u>	
	569.532 lb.ft. ²	8.307 lb.ft. ²	
SOUND PRESSURE LEVEL (No Load 1 M From Motor)	75 dB(A)		
NUMBER OF STARTS (Hot / Cold)	2 Hot / 3 Cold		
MAX. AMBIENT TEMPERATURE	40° C at 1.15 SF / 65° C at 1.0 SF		
MAX. ELEVATION	3300 Ft. Above Sea Level		
TEMPERATURE RISE (At Full Load)	80° C		
DRIVE-END BEARING	6313ZC3		
OPPOSITE DRIVE-END BEARING	6211ZC3		
GREASE TYPE	Mobil Polyrex EM		
MOUNTING	F1 (F2 Suitable), W6, W8, B3, V5, V6		
ROTATION	Bi-Directional		
APPROXIMATE WEIGHT	620 lbs.		
AREA CLASSIFICATION	Class I, Division 2, Groups A, B, C, D		
INVERTER RATING	10:1 CT / 20:1 VT - Meets NEMA MG1 Part 31		
SPECIFICATION - In Accordance With	NEMA, CSA		



CC 038A





TEFC

THREE PHASE INDUCTION MOTOR

TYPE

LP, JP

CAST IRON FRAME

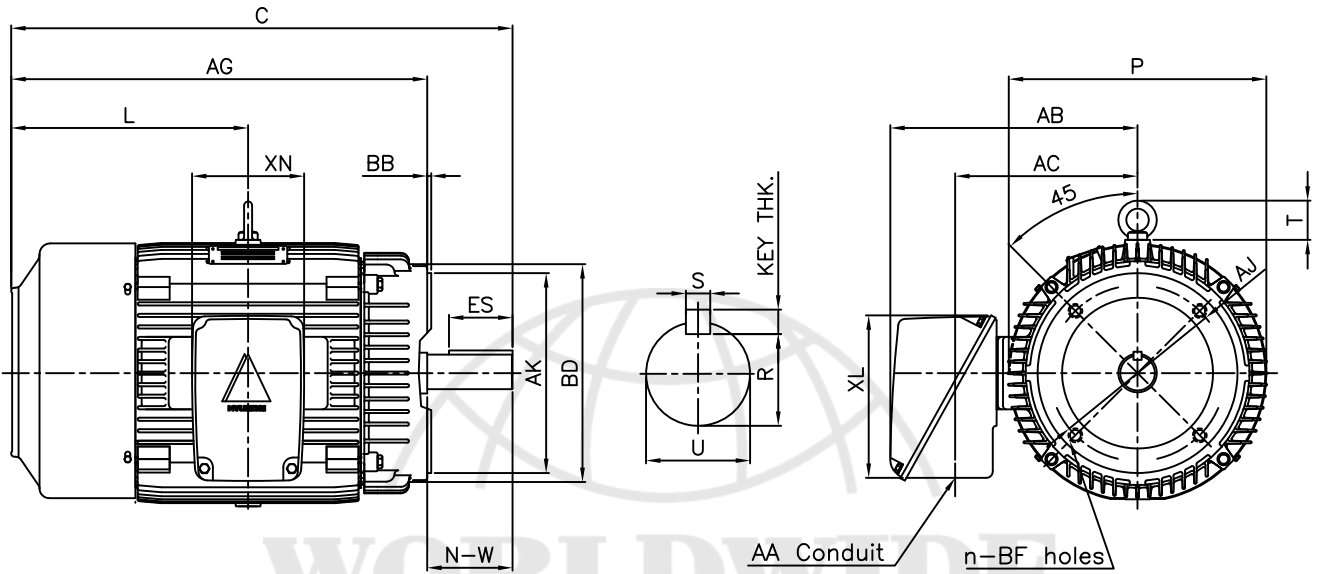
FRAME SIZE

OUTPUT(HP)

POLES

Hz

TIME RATING



DIMENSIONS

F L A N G E						CONDUIT BOX					APPROX. WGT.(LB)	
AJ	AK	BD	BB	BF	n	AA	AB	AC	XL	XN	324T	326T
11.0	12.50	13.27	0.25	5/8-11	4	2.00	15.20	11.21	10.16	7.01	550	560

O V E R A L L					S H A F T					KEY THK.	B E A R I N G	
AG	C	L	P	T	U	N-W	KEYWAY				DRIVE END	OPP. DRIVE END
							R	ES	S			
25.82	31.07	14.57	15.84	2.41	2.125	5.25	1.845	3.91	0.500	0.500	6313ZC3	6211ZC3

NOTE

- 1.Dimension "D" tolerance : +0.00inch - 0.03inch
- 2.Dimension "U" tolerance : +0.000inch - 0.001inch
- 3.Dimension "R" tolerance : +0.000inch - 0.015inch
- 4.Location of holes for 324TC frame
- 5.Location of holes for 326TC frame

APPD BY	KIM.Y.S	UNIT	INCH	SUBJECT	NEMA 324TC/326TC	CAD PROJ \ FILE	
CHKD BY	KO.S.H	SCALE	1/12			XSMOUTN\A1512AA	
CHKD BY		PROJEC'N	3rd Angle	TITLE OUTLINE			
DSND BY	LEE KWANG SOO	DATE	2004.04.02				
				REF. NO	A1512AA	Sheet No. of	
				DWG NO	350A1512AA	Revision No. 0	