

MODEL NUMBER	HHI50-36-326TS		
HORSEPOWER	50		
RPM / POLES	3600 / 2		
VOLTAGE / PHASE	230 / 460 V / 3		
FRAME	326TS		
ENCLOSURE / DEGREE OF PROTECTION	TEFC / IP55		
FREQUENCY	60 HZ		
FULL LOAD SPEED	3560 RPM		
SERVICE FACTOR	1.15 SF at 40° C / 1.0 SF at 65° C		
INSULATION CLASS	F Class N Varnish		
FULL LOAD AMPS; 230 / 460	111.6 / 55.8 A Usable On 208 V At 123 A		
LOCKED ROTOR CURRENT (% Full Load)	660 / 660 %		
NEMA CODE LETTER	G		
EFFICIENCY / POWER FACTOR	<u>LOAD</u>	<u>EFF.</u>	<u>P.F.</u>
	100 %	93.0 %	89.5 %
	75 %	93.2 %	88.5 %
	50 %	92.0 %	86.0 %
DUTY CYCLE	S1 / Continuous		
TORQUE	<u>FULL LOAD</u>	<u>LRT</u>	<u>BDT</u>
	73.2 lb.ft.	160 %	230 %
NEMA DESIGN	B		
MOMENT OF INERTIA	<u>LOAD (Max.)</u>	<u>MOTOR</u>	
	106.787 lb.ft. ²	4.272 lb.ft. ²	
SOUND PRESSURE LEVEL (No Load 1 M From Motor)	84 dB(A)		
NUMBER OF STARTS (Hot / Cold)	2 Hot / 3 Cold		
MAX. AMBIENT TEMPERATURE	40° C at 1.15 SF / 65° C at 1.0 SF		
MAX. ELEVATION	3300 Ft. Above Sea Level		
TEMPERATURE RISE (At Full Load)	80° C		
DRIVE-END BEARING	6313ZC3		
OPPOSITE DRIVE-END BEARING	6211ZC3		
GREASE TYPE	Mobil Polyrex EM		
MOUNTING	F1 (F2 Suitable), W6, W8, B3, V5, V6		
ROTATION	Bi-Directional		
APPROXIMATE WEIGHT	540 lbs.		
AREA CLASSIFICATION	Class I, Division 2, Groups A, B, C, D		
INVERTER RATING	10:1 CT / 20:1 VT - Meets NEMA MG1 Part 31		
SPECIFICATION - In Accordance With	NEMA, CSA		



CC 038A





TEFC

THREE PHASE INDUCTION MOTOR

TYPE

LP, JP

CAST IRON FRAME

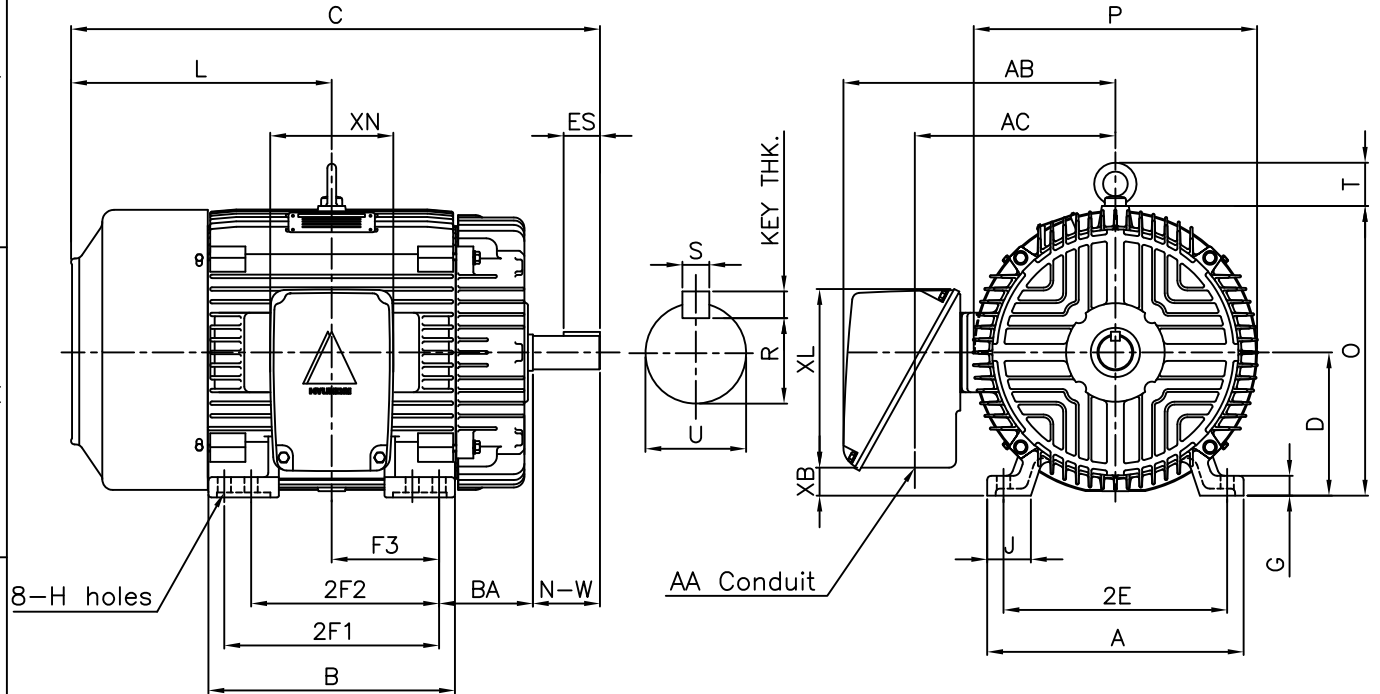
FRAME SIZE

OUTPUT(HP)

POLES

Hz

TIME RATING



DIMENSIONS

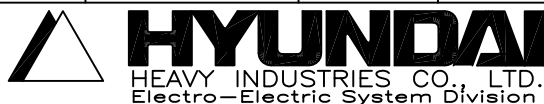
M O U N T I N G									C O N D U I T B O X						A P P R O X . W G T . (L B)	
A	B	2E	2F1 ⁵⁾	2F2 ⁴⁾	F3	G	J	H	AA	AB	AC	XB	XL	XN	324TS	326TS
14.33	13.78	12.50	12.00	10.50	6.00	1.11	2.36	0.66	2.00	15.20	11.21	1.57	10.16	7.01	530	540

O V E R A L L							S H A F T					K E Y T H K .	B E A R I N G	
BA	C	D	L	O	P	T	U	N-W	K E Y W A Y				D R I V E E N D	O P P . D R I V E E N D
									R	ES	S			
5.25	29.57	8.00	14.57	16.19	15.84	2.41	1.875	3.75	1.591	2.03	0.500	0.500	6313ZC3	6211ZC3

NOTE

- 1.Dimension "D" tolerance : +0.00inch - 0.03inch
- 2.Dimension "U" tolerance : +0.000inch - 0.001inch
- 3.Dimension "R" tolerance : +0.000inch - 0.015inch
- 4.Location of holes for 324TS frame
- 5.Location of holes for 326TS frame

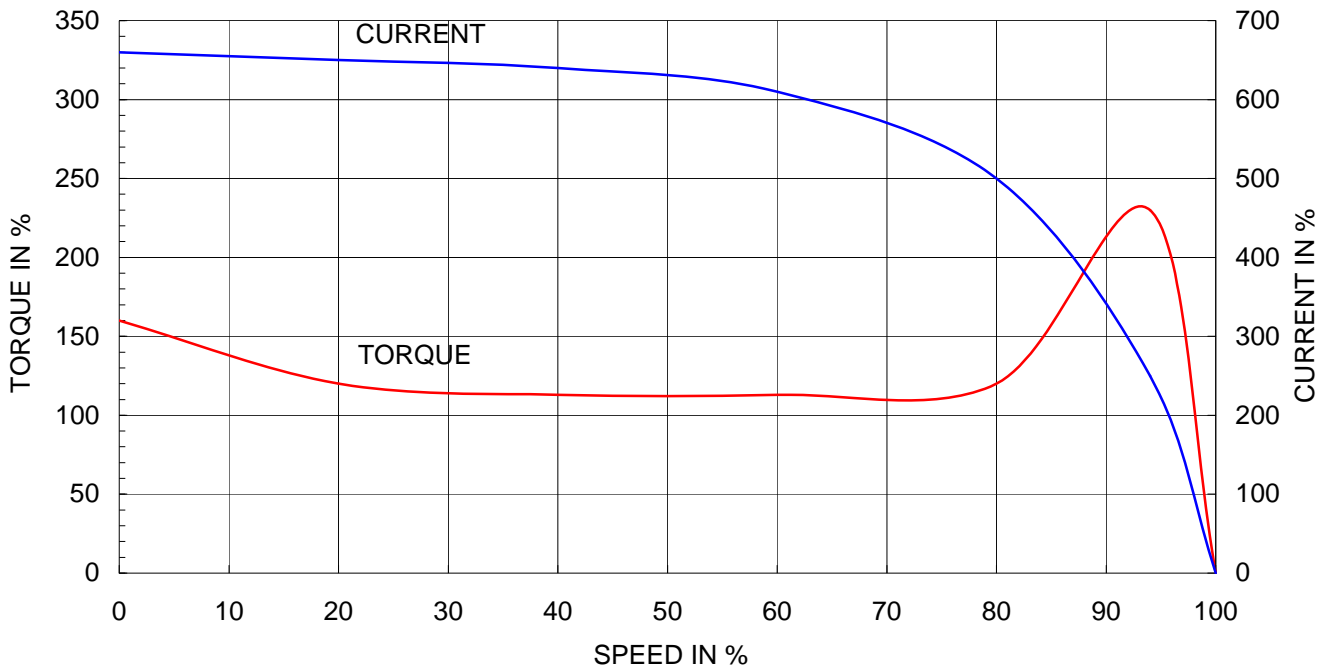
APPD BY	KIM.Y.S	UNIT	INCH	SUBJECT	NEMA 324TS/326TS	CAD PROJ \ FILE	XSMOUTN\A1112BA
CHKD BY	KO.S.H	SCALE	1/12			TITLE	OUTLINE
CHKD BY		PROJEC'N	3rd Angle	REF. NO	A1112BA	Sheet No.	of
DSND BY	LEE KWANG SOO	DATE	2004.04.02	DWG NO	350A1112BA	Revision No.	0



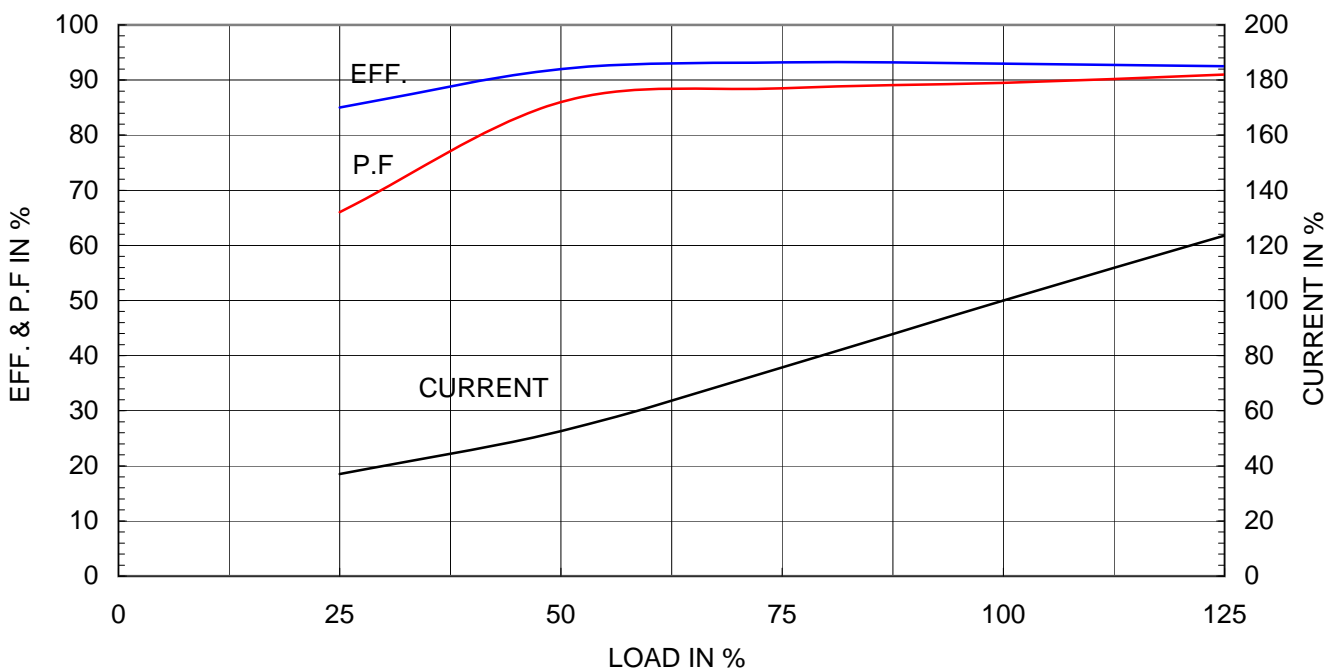
Type	: PLP
Full Load Torque	: 73.2 lb.ft
Motor moment of Inertia (J)	: 4.272 lb.ft ²
Load moment of Inertia (J)	: 106.787 lb.ft ²

37 kW	50 HP	60 Hz	
2 P	Rated Speed	: 3560 RPM	
Rated Voltage	575V	460V	230V
Full Load Current	44.6A	55.8A	111.6A

SPEED VS TORQUE & CURRENT CURVE



OUTPUT VS EFF., P.F & CURRENT CURVE



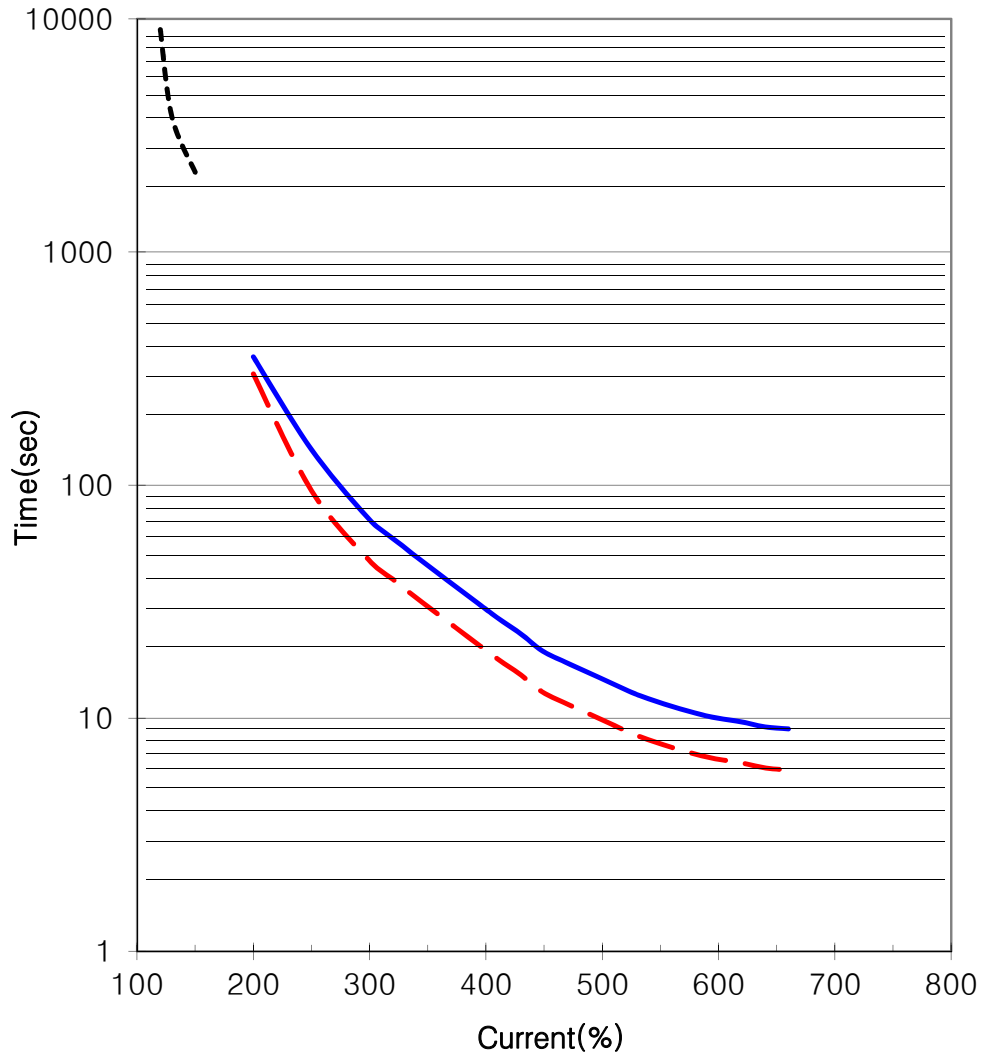


THERMAL LIMIT & TIME CURRENT CURVE

CURVE NO.

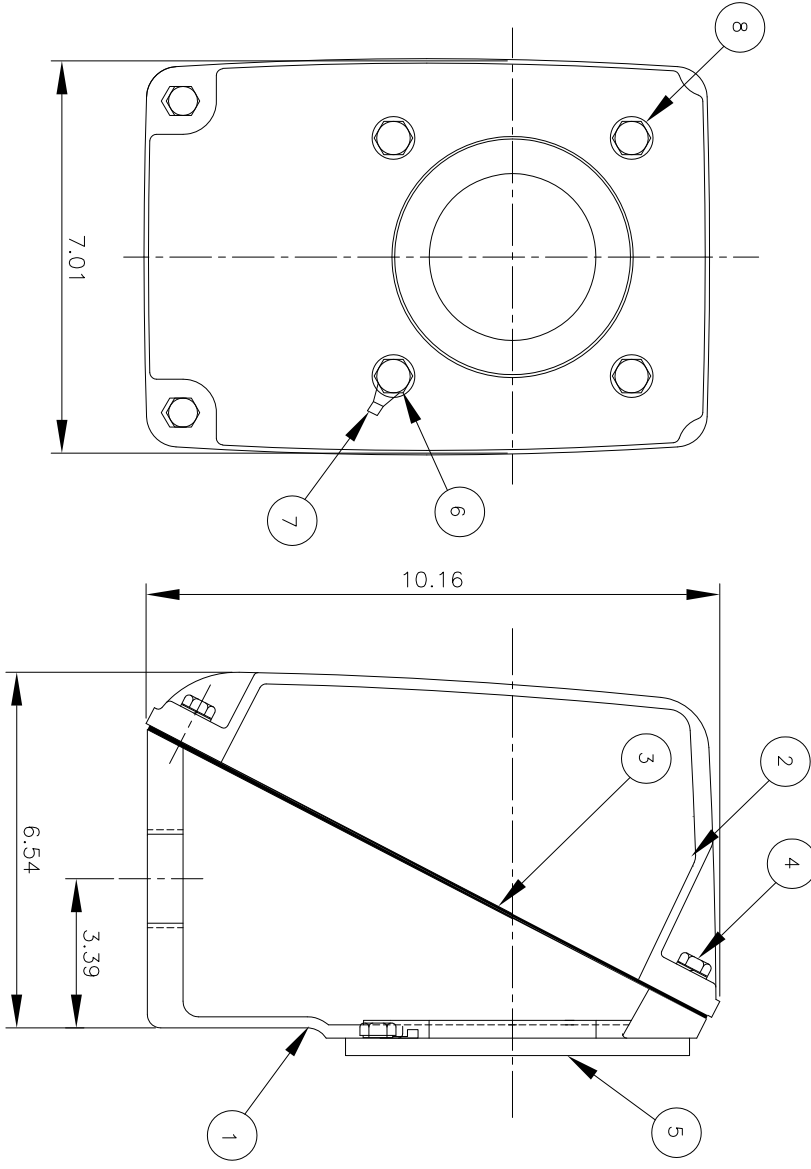
T-PLP50-36-326TS

Type :	PLP50-36-326TS	50	HP	2	P	60	Hz
FULL LOAD TORQUE :	73.2 lb.ft	RATED SPEED :		3560 rpm			
J OF LOAD :	- lb.ft ²	VOLTAGE		460 V	575 V		
J OF MOTOR :	4.3 lb.ft ²	RATED CURRENT		55.8A	44.6A		



— THERMAL LIMIT CURVE AT COLD CONDITION
- - THERMAL LIMIT CURVE AT HOT CONDITION

STARTING TIME	SAFE STALL TIME
- at rated voltage starting	6 sec. at Hot condition
- at 80% of rated voltage starting	9 sec. at Cold condition



PT	DESCRIPTION	MATERIAL	DIMENSION	Q.TY
1	CONDUIT BOX	FC20		1
2	C/B COVER	FC20		1
3	GASKET(COVER)	N.B.R	T2X170X210	1
4	SCREW(COVER)	S45C	M8XL20	4
5	GASKET(C/B)	N.B.R		1
6	SCREW(C/B)	S45C	M8XL20	4
7	TERMINAL GROUND	CU	T1.6	1
8	WASHER	S45C	M8 X L10	4

REV	DATE	CONTENTS	REV'D BY	CHK'D BY	CHK'D BY	APP'D BY	DATE
1							

Q'TY	DESCRIPTION	MATERIAL	DIMENSION	WEIGHT	PART NO.	REMARK	NO.
APP'D BY	KANG KHEONG JUNG	INCH					
CHK'D BY	LEE NOH DUK	SCALE	1/2		NEMA 320		
CHK'D BY	KIM IN KYU	PROJEC'N	3차(3rd Angle)				
DSND BY	KIM EUN SEONG	DATE	2011-08-30				
TITLE Main Terminal Box Assembly							
REF. NO	227/B80030B5	Sheet No. of					
DWG NO	3M-145864	Revision No. 0					