

MODEL NUMBER	HHI60-12-404T		
HORSEPOWER	60		
RPM / POLES	1200 / 6		
VOLTAGE / PHASE	230 / 460 V / 3		
FRAME	404T		
ENCLOSURE / DEGREE OF PROTECTION	TEFC / IP55		
FREQUENCY	60 HZ		
FULL LOAD SPEED	1185 RPM		
SERVICE FACTOR	1.15 SF at 40° C / 1.0 SF at 65° C		
INSULATION CLASS	F Class N Varnish		
FULL LOAD AMPS; 230 / 460	142.3 / 71.2 A Usable On 208 V At 157 A		
LOCKED ROTOR CURRENT (% Full Load)	670 / 670 %		
NEMA CODE LETTER	G		
EFFICIENCY / POWER FACTOR	<u>LOAD</u>	<u>EFF.</u>	<u>P.F.</u>
	100 %	94.5 %	84.0 %
	75 %	94.7 %	81.1 %
	50 %	94.2 %	73.2 %
DUTY CYCLE	S1 / Continuous		
TORQUE	<u>FULL LOAD</u>	<u>LRT</u>	<u>BDT</u>
	267.5 lb.ft.	140 %	220 %
NEMA DESIGN	B		
MOMENT OF INERTIA	<u>LOAD (Max.)</u>	<u>MOTOR</u>	
	2397.965 lb.ft. ²	46.280 lb.ft. ²	
SOUND PRESSURE LEVEL (No Load 1 M From Motor)	74 dB(A)		
NUMBER OF STARTS (Hot / Cold)	2 Hot / 3 Cold		
MAX. AMBIENT TEMPERATURE	40° C at 1.15 SF / 65° C at 1.0 SF		
MAX. ELEVATION	3300 Ft. Above Sea Level		
TEMPERATURE RISE (At Full Load)	80° C		
DRIVE-END BEARING	NU316		
OPPOSITE DRIVE-END BEARING	6313C3		
GREASE TYPE	Mobil Polyrex EM		
MOUNTING	F1 (F2 Suitable), W6, W8, B3, V5, V6		
ROTATION	Bi-Directional		
APPROXIMATE WEIGHT	1120 lbs.		
AREA CLASSIFICATION	Class I, Division 2, Groups A, B, C, D		
INVERTER RATING	10:1 CT / 20:1 VT - Meets NEMA MG1 Part 31		
SPECIFICATION - In Accordance With	NEMA, CSA		



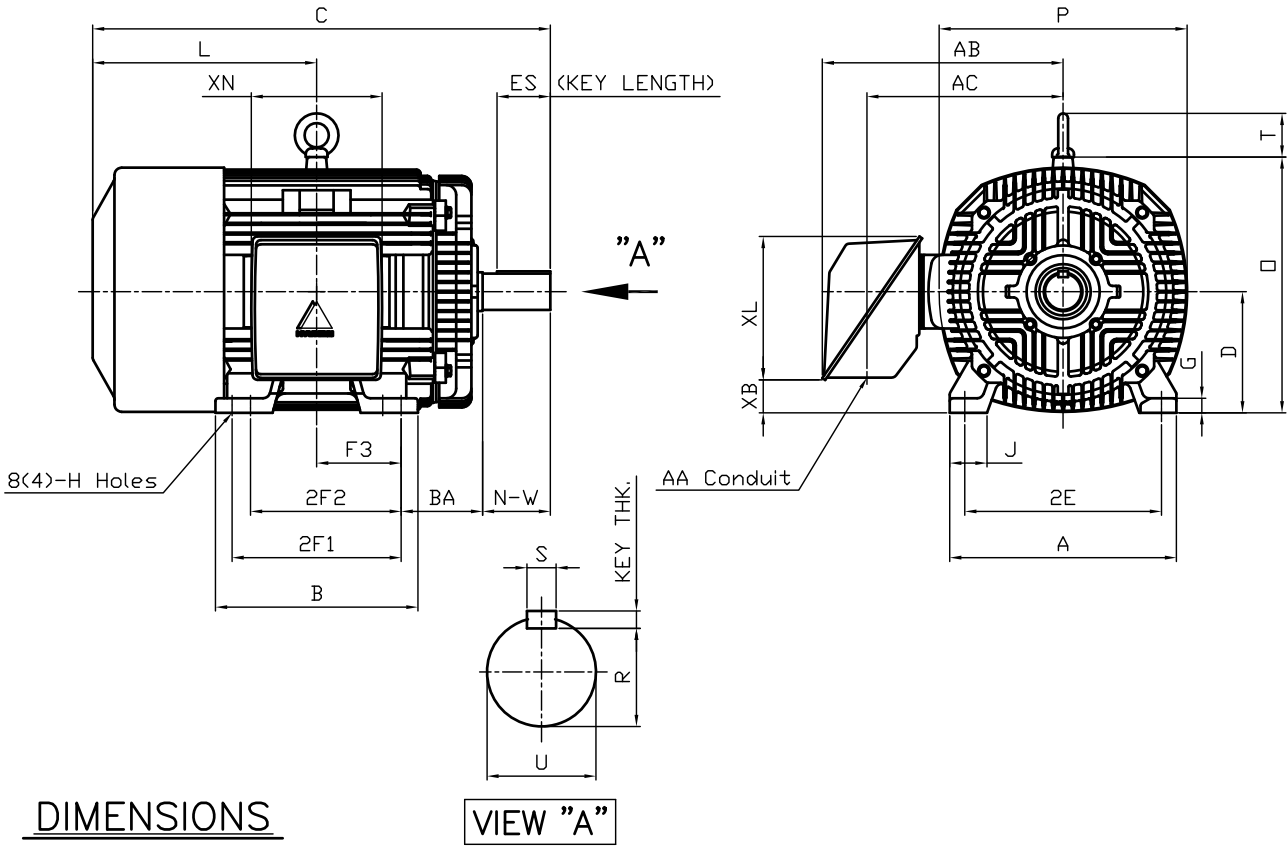
CC 038A



본 도면은 현대중공업(주) 재산이므로
허가없이 복사할 수 없음 (취급유의)

THIS DRAWING IS PROPRIETARY TO HEECO. NO PART OF THIS DRAWING
MAYBE REPRODUCED WITHOUT THE PERMISSION OF HHI.

		<h1>TEFC</h1> <h2>THREE PHASE INDUCTION MOTOR</h2>		TYPE LP, JP Cast iron frame
FRAME SIZE	OUTPUT(HP)	POLES	Hz	TIME RATING
404T			60	CONT



DIMENSIONS

VIEW "A"

M O U N T I N G									C O N D U I T B O X					APPROX. WGT.(LB)	
A	B	2E	2F1	2F2	F3	G	J	H	AA	AB	AC	XB	XL	XN	
18.43	16.46	16.00	(13.75)	12.25	6.870	1.18	3.03	0.81	3.00	20.28	14.85	2.83	11.65	10.63	1120

O V E R A L L							S H A F T			KEY	BEARING			
BA	C	D	L	O	P	T	U	N-W	KEYWAY			THK.	DRIVE END	OPP. DRIVE END
									R	ES	S			
6.62	39.42	10.00	18.68	20.79	20.16	3.55	2.875	7.25	2.450	5.65	0.750	0.750	6316C3 or NU316	6313C3

NOTE

- Dimension "D" tolerance : +0.00inch - 0.03inch (143T-365T) ; +0.000inch - 0.06inch (404T-449T)
- Dimension "U" tolerance : +0.000inch - 0.005inch (143T-215T), +0.000inch - 0.001inch (254T-449T)
- Dimension "R" tolerance : +0.000inch - 0.015inch

Q'TY	DESCRIPTION	MATERIAL	DIMENSION	WEIGHT	PART NO.	REMARK	NO.
APPD BY	K.J. KANG	UNIT	INCH	SUBJECT	404T	CAD PROJ 명 \ FILE 명	
Q.P CHK		SCALE	N/S	TITLE	OUTLINE		
CHKD BY		PROJEC'N	3 각법(3rd Angle)	REF. NO	A1115AA	Sheet No.	of
DSND BY	N.D.LEE	DATE	2011.02.09	DWG NO	350A1115AA	Revision No.	0



PERFORMANCE CURVE

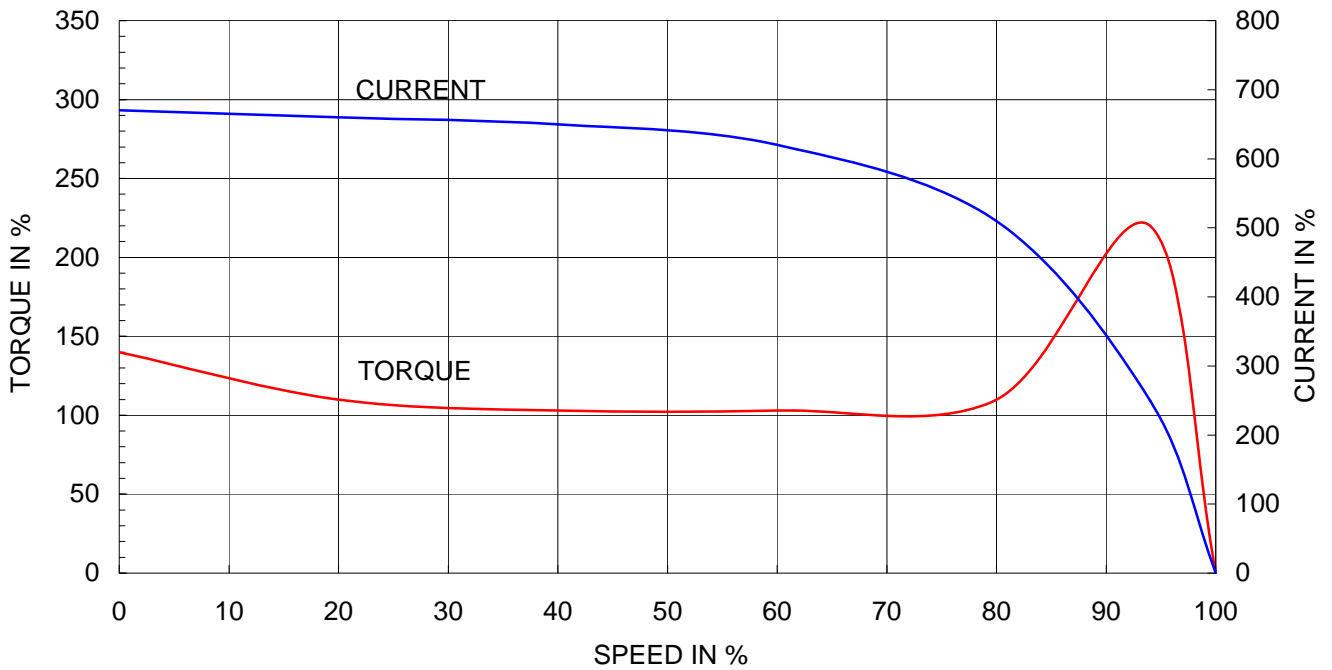
CURVE NO.

P-PLP404SR06

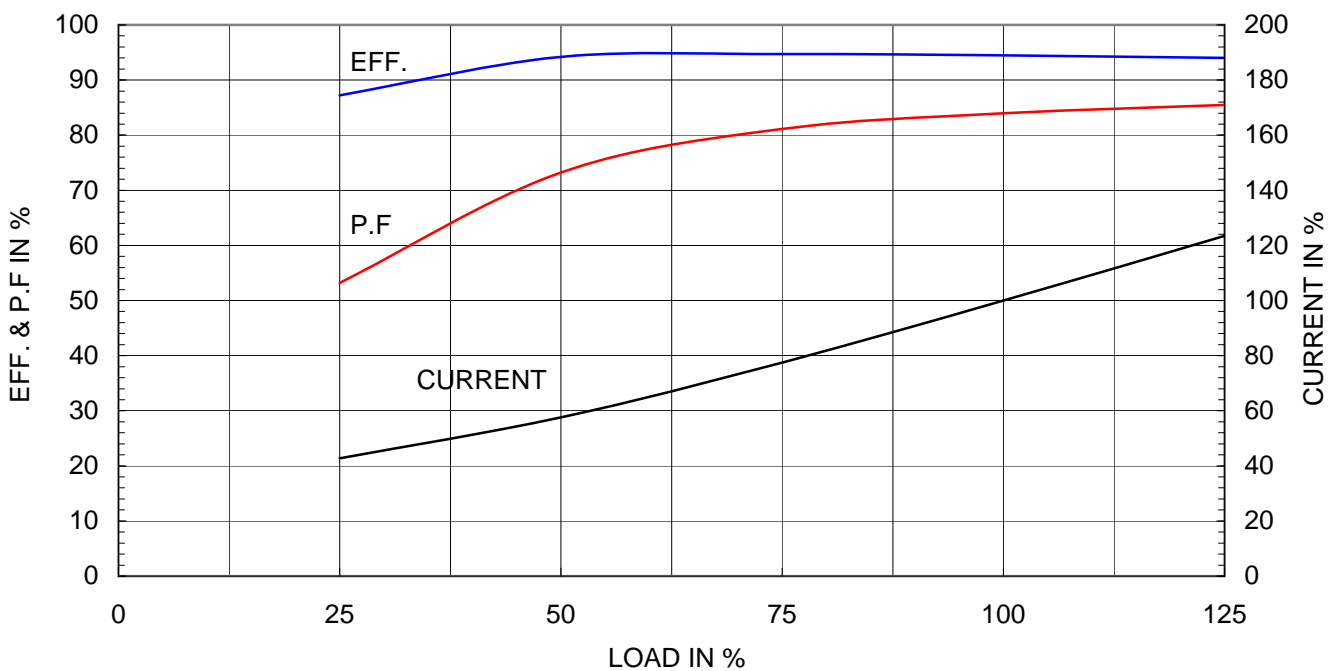
Type	: PLP
Full Load Torque	: 267.5 lb.ft
Motor moment of Inertia (J)	: 46.280 lb.ft ²
Load moment of Inertia (J)	: 2397.965 lb.ft ²

45 kW	60 HP	60 Hz	
6 P	Rated Speed	: 1185 RPM	
Rated Voltage	575V	460V	230V
Full Load Current	56.9A	71.2A	142.3A

SPEED VS TORQUE & CURRENT CURVE



OUTPUT VS EFF., P.F & CURRENT CURVE



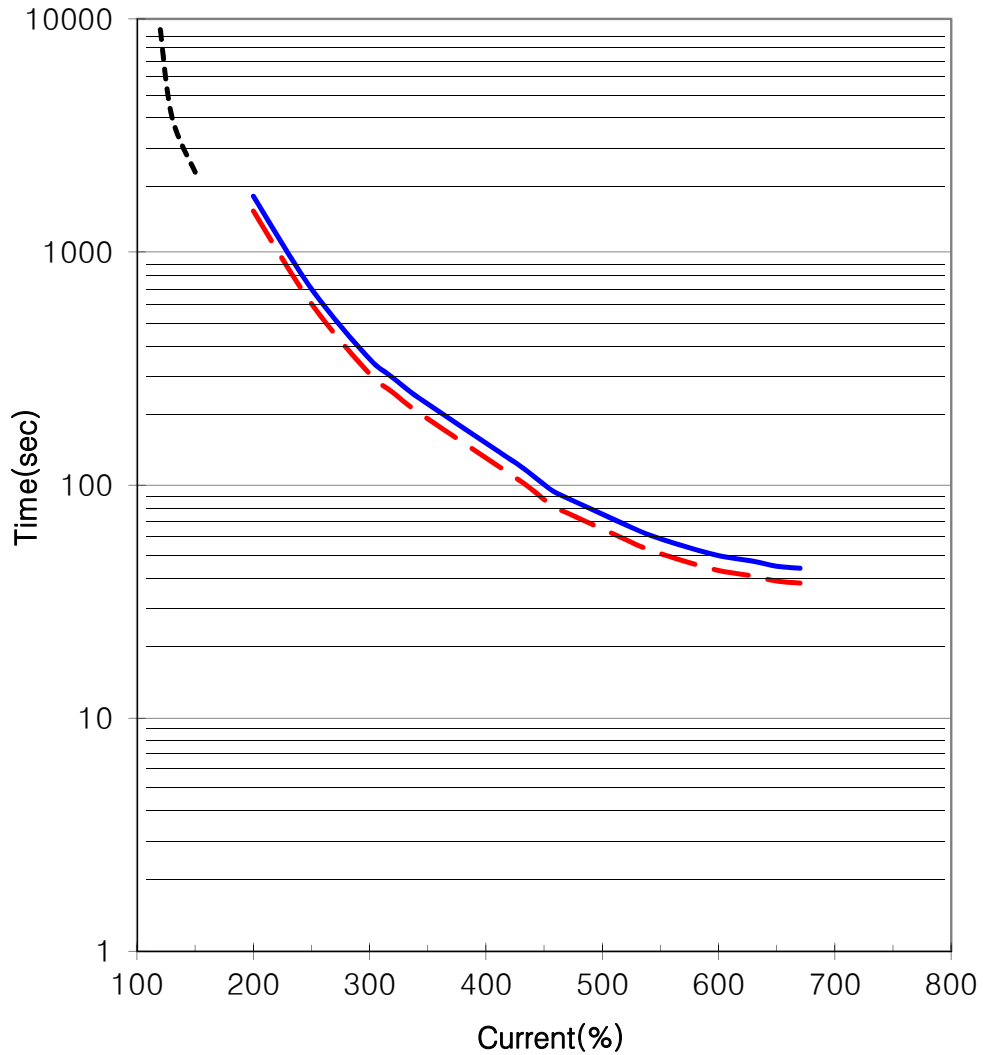


THERMAL LIMIT & TIME CURRENT CURVE

CURVE NO.

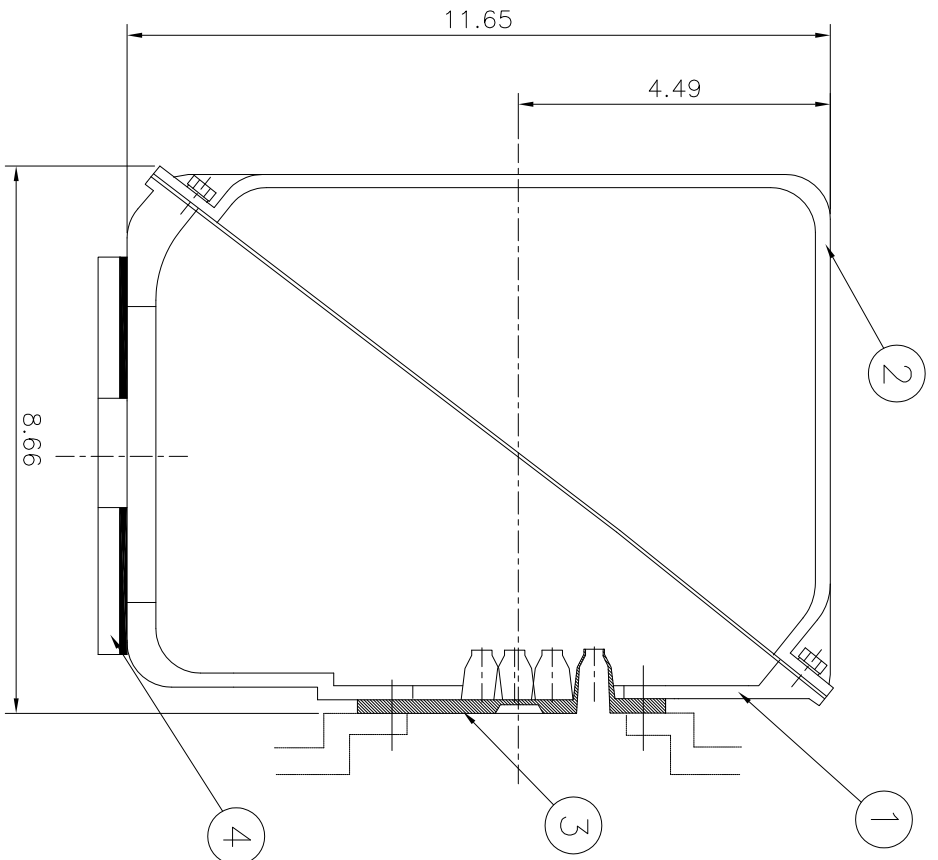
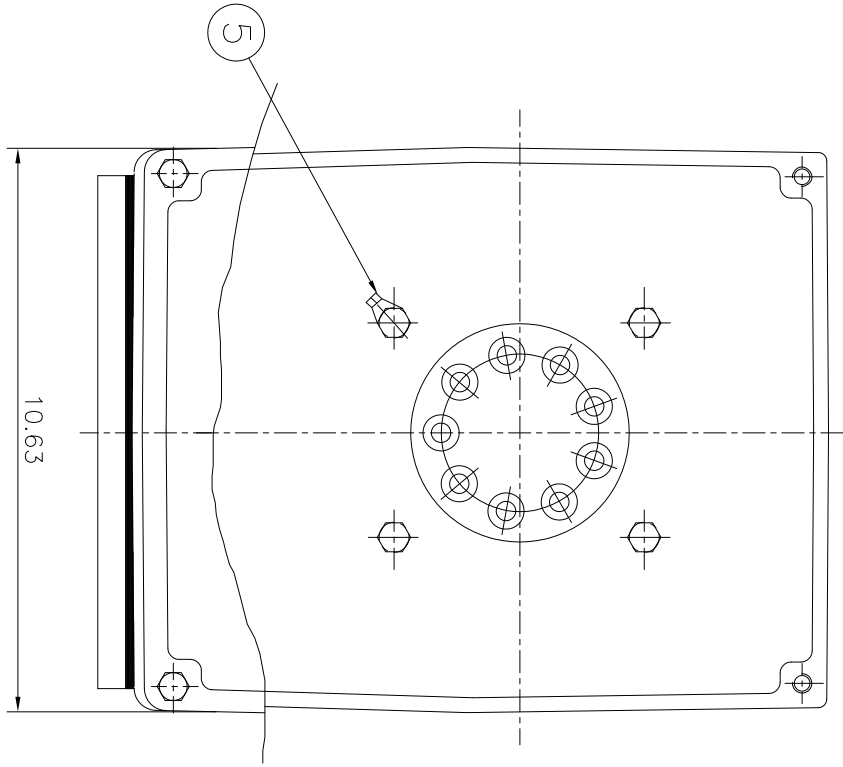
T-PLP60-12-404T

Type :	PLP60-12-404T		60	HP	6	P	60	Hz
FULL LOAD TORQUE :	267.5	lb.ft	RATED SPEED :		1185 rpm			
J OF LOAD :	-	lb.ft²	VOLTAGE		460 V	575 V		
J OF MOTOR :	46.3	lb.ft²	RATED CURRENT		71.2A	56.9A		



— THERMAL LIMIT CURVE AT COLD CONDITION
- - THERMAL LIMIT CURVE AT HOT CONDITION

STARTING TIME	SAFE STALL TIME
- at rated voltage starting	38 sec. at Hot condition
- at 80% of rated voltage starting	44 sec. at Cold condition



▽	SOS
▽▽	12.5S
▽▽▽	3.2S
▽▽▽▽	0.4S

REV	DATE	CONTENTS	REV'D BY	CHK'D BY	CHK'D BY	APP'D BY	250-	5
1								
2								
3								
4								

구분/단위	구분/단위	구분/단위	
1-4	±0.1	6-30	±0.5
4-18	±0.2	30-120	±0.8
18-63	±0.3	120-315	±1.2
63-250	±0.5	315-1000	±2.0
	±0.8	1000-	±3.0

1	EARTH TERMINAL LUG									
1	CABLE ENTRY PLATE									
1	GASKET	NBR								
1	TERMINAL BOX COVER	CAST IRON								
1	TERMINAL BOX BODY	CAST IRON								

APP'D BY	KANG KEONG JUNG	UNIT	INCH	Non Scale
CHK'D BY	KIM JIN HONG	SCALE		
CHK'D BY	KIM OK JIN	PROJEC'N	3차 (3rd Angle)	
DSND BY	KIM RYANG GYU	DATE	2011-10-21	

TITLE	Main Terminal Box Assembly		
SUBJECT	NEMA 400, 440		
WEIGHT			
PART NO.			
REMARK			
DWG SIZE	A3 (1:1)		

REF. NO	DWG NO	3M-016882	Sheet No. of
			Revision No. 0