

MODEL NUMBER	HHI60-12-404TC		
HORSEPOWER	60		
RPM / POLES	1200 / 6		
VOLTAGE / PHASE	230 / 460 V / 3		
FRAME	404TC		
ENCLOSURE / DEGREE OF PROTECTION	TEFC / IP55		
FREQUENCY	60 HZ		
FULL LOAD SPEED	1185 RPM		
SERVICE FACTOR	1.15 SF at 40° C / 1.0 SF at 65° C		
INSULATION CLASS	F Class N Varnish		
FULL LOAD AMPS; 230 / 460	142.3 / 71.2 A Usable On 208 V At 157 A		
LOCKED ROTOR CURRENT (% Full Load)	670 / 670 %		
NEMA CODE LETTER	G		
EFFICIENCY / POWER FACTOR	<u>LOAD</u>	<u>EFF.</u>	<u>P.F.</u>
	100 %	94.5 %	84.0 %
	75 %	94.7 %	81.1 %
	50 %	94.2 %	73.2 %
DUTY CYCLE	S1 / Continuous		
TORQUE	<u>FULL LOAD</u>	<u>LRT</u>	<u>BDT</u>
	267.5 lb.ft.	140 %	220 %
NEMA DESIGN	B		
MOMENT OF INERTIA	<u>LOAD (Max.)</u>	<u>MOTOR</u>	
	2397.965 lb.ft. ²	46.280 lb.ft. ²	
SOUND PRESSURE LEVEL (No Load 1 M From Motor)	74 dB(A)		
NUMBER OF STARTS (Hot / Cold)	2 Hot / 3 Cold		
MAX. AMBIENT TEMPERATURE	40° C at 1.15 SF / 65° C at 1.0 SF		
MAX. ELEVATION	3300 Ft. Above Sea Level		
TEMPERATURE RISE (At Full Load)	80° C		
DRIVE-END BEARING	6316C3		
OPPOSITE DRIVE-END BEARING	6313C3		
GREASE TYPE	Mobil Polyrex EM		
MOUNTING	F1 (F2 Suitable), W6, W8, B3, V5, V6		
ROTATION	Bi-Directional		
APPROXIMATE WEIGHT	1120 lbs.		
AREA CLASSIFICATION	Class I, Division 2, Groups A, B, C, D		
INVERTER RATING	10:1 CT / 20:1 VT - Meets NEMA MG1 Part 31		
SPECIFICATION - In Accordance With	NEMA, CSA		

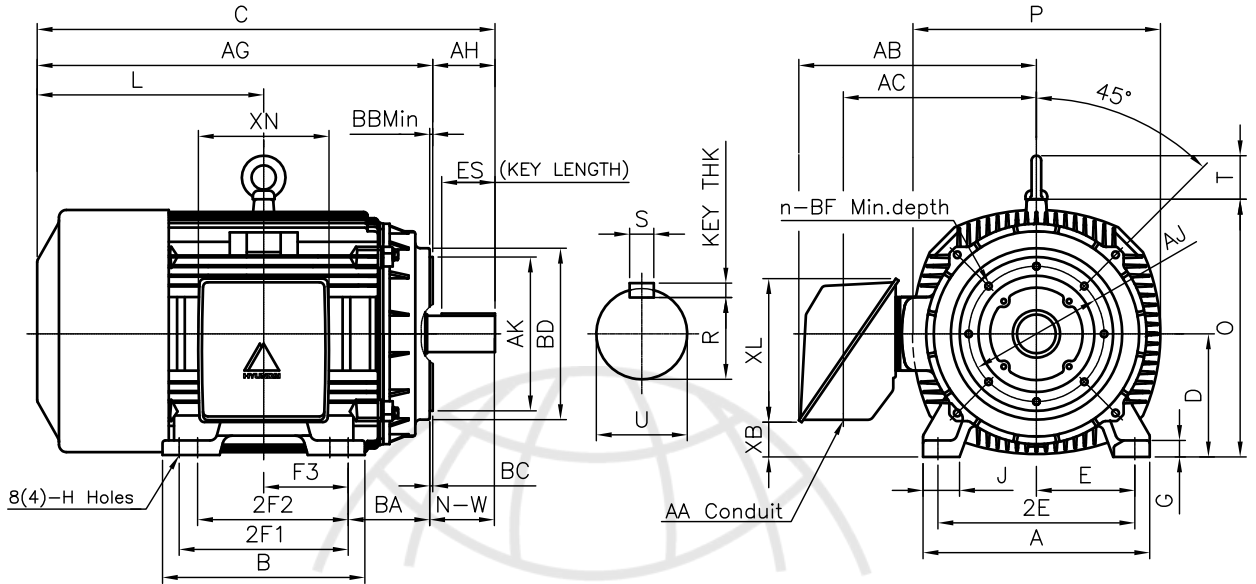


CC 038A



		<h1>TEFC</h1>		<h2>TYPE</h2>		LP, JP	
		<h3>THREE PHASE INDUCTION MOTOR</h3>				Cast iron frame	

FRAME SIZE	OUTPUT(HP)	POLES	Hz	TIME RATING
404TC			60	CONT



DIMENSIONS

M O U N T I N G									C O N D U I T B O X					APPROX. WGT.(LB)	
A	B	2E	2F1	2F2	F3	G	J	H	AA	AB	AC	XB	XL	XN	
18.43	16.46	16.00	(13.75)	12.25	6.870	1.18	3.03	0.81	3.00	20.28	14.85	2.83	11.65	10.63	1120

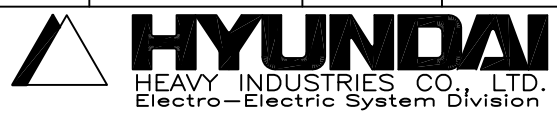
O V E R A L L								S H A F T					KEY	BEARING	
BA	C	D	L	O	P	T	AG	U	N-W	KEYWAY			THK.	DRIVE END	OPP. DRIVE END
										R	ES	S			
6.62	39.42	10.00	18.68	20.79	19.69	3.55	32.17	2.875	7.25	2.450	5.65	0.750	0.750	6316C3 or NU316	6313C3

C - F A C E								
AJ	AK	BB Min	BC	BD	BF	BF depth	n	AH
11.00	12.50	0.25	0.25	13.78	5/8-11	0.94	8	7.00

NOTE

- 1.Dimension "D" tolerance : +0.00inch ~ -0.03inch (143TC-365TC) : +0.000inch ~ -0.06inch (404TC-449TC)
- 2.Dimension "U" tolerance : +0.000inch ~ -0.0005inch (143TC-215TC): +0.000inch ~ -0.001inch (254TC-449TC)
- 3.Dimension "R" tolerance : +0.000inch ~ - 0.015inch
- 4.Dimension "AK" tolerance : +0.000inch ~ -0.003inch (143TC-286TC): +0.000inch ~ -0.005inch (324TC-449TC)

APPD BY	K.J. KANG	UNIT	INCH	SUBJECT	404TD	CAD PROJ \ FILE	
CHKD BY		SCALE	N/S	TITLE	<h1>OUTLINE</h1>	MMSTDMTR\A1315AA	
CHKD BY		PROJEC'N	3rd Angle				
DSND BY	N.D.LEE	DATE	2011.02.09				

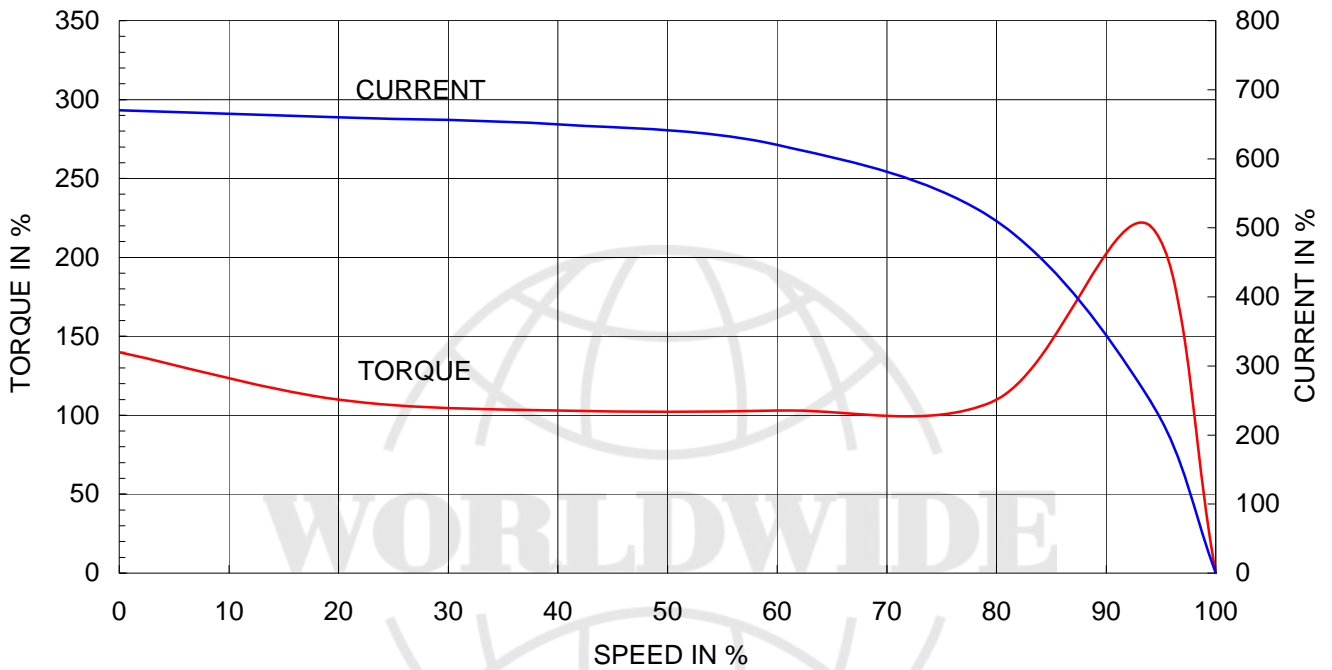


REF. NO	A1315AA	Sheet No. of	
DWG NO	350A1315AA	Revision No.	0

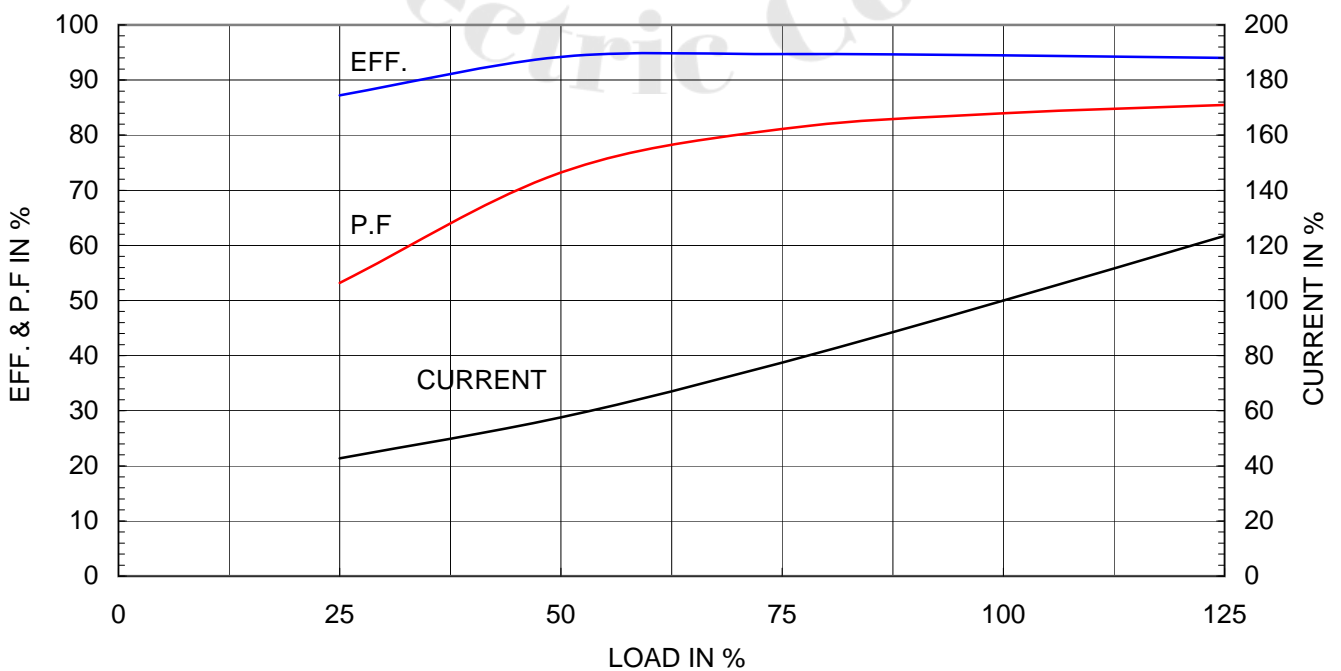
Type	: PLP
Full Load Torque	: 267.5 lb.ft
Motor moment of Inertia (J)	: 46.280 lb.ft ²
Load moment of Inertia (J)	: 2397.965 lb.ft ²

45 kW	60 HP	60 Hz	
6 P	Rated Speed	: 1185 RPM	
Rated Voltage	575V	460V	230V
Full Load Current	56.9A	71.2A	142.3A

SPEED VS TORQUE & CURRENT CURVE



OUTPUT VS EFF., P.F & CURRENT CURVE



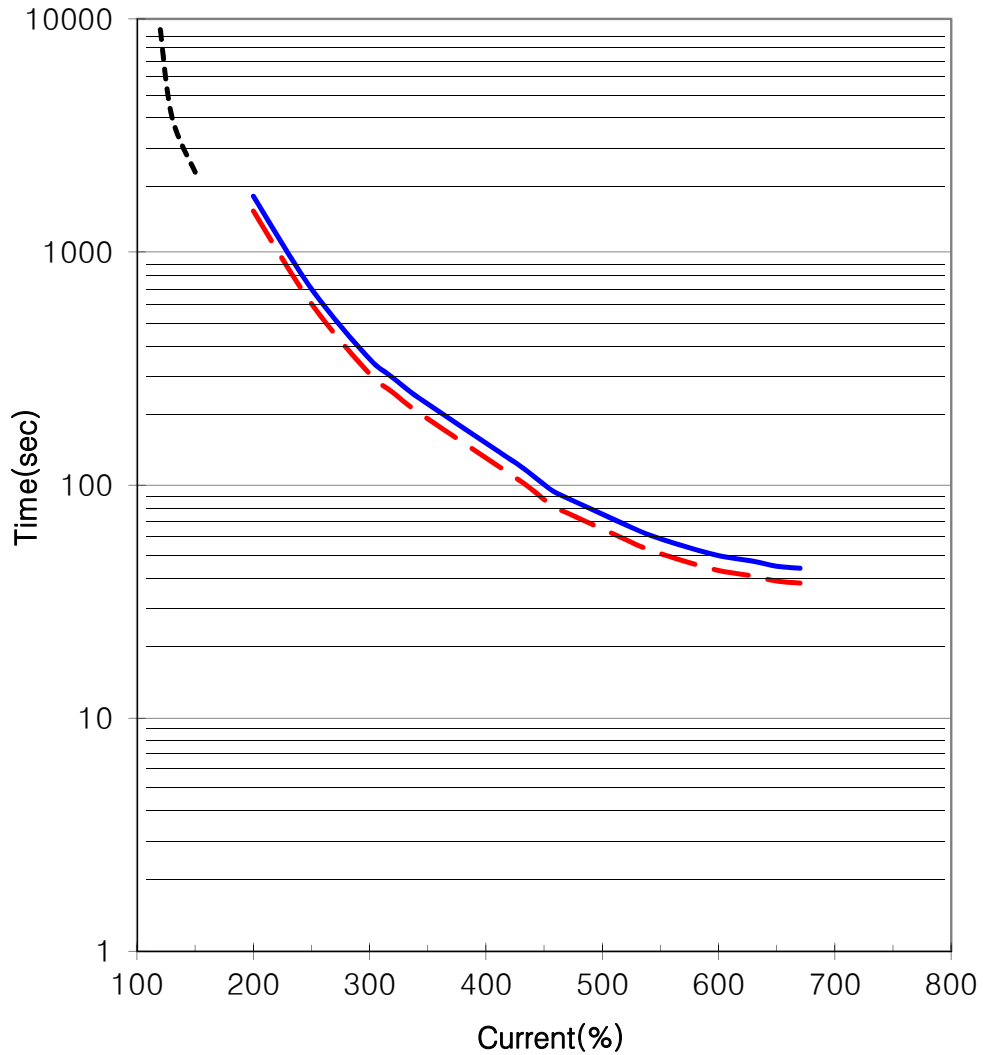


THERMAL LIMIT & TIME CURRENT CURVE

CURVE NO.

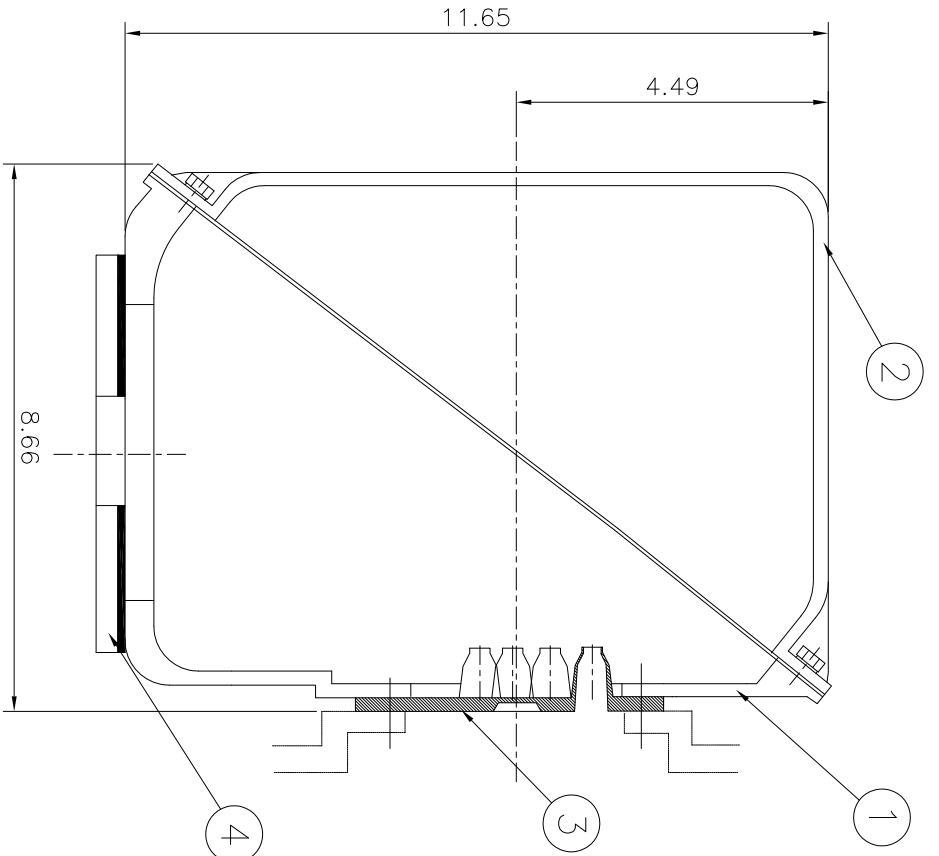
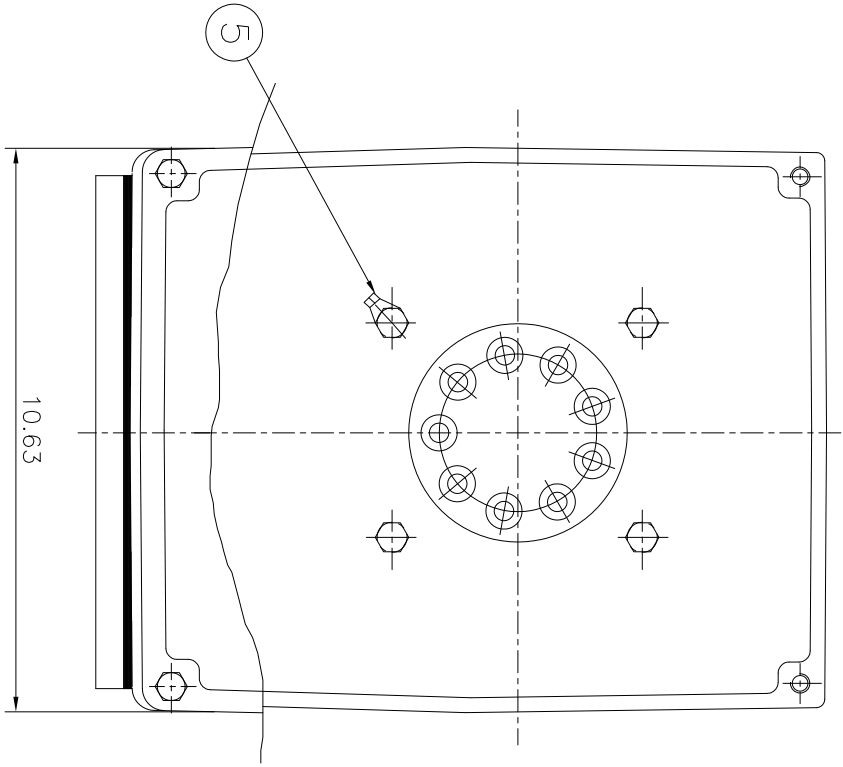
T-PLP60-12-404TC

Type :	PLP60-12-404T	60	HP	6	P	60	Hz
FULL LOAD TORQUE :	267.5	lb.ft	RATED SPEED :		1185 rpm		
J OF LOAD :	-	lb.ft ²	VOLTAGE		460 V	575 V	
J OF MOTOR :	46.3	lb.ft ²	RATED CURRENT		71.2A	56.9A	



— THERMAL LIMIT CURVE AT COLD CONDITION
- - THERMAL LIMIT CURVE AT HOT CONDITION

STARTING TIME	SAFE STALL TIME
- at rated voltage starting	38 sec. at Hot condition
- at 80% of rated voltage starting	44 sec. at Cold condition



REV	DATE	CONTENTS	REV'D BY	CHK'D BY	CHK'D BY	APP'D BY
1						

구분	구분	구분	구분	구분	
▽	SOS	1-4	±0.1	6-30	±0.5
▽▽	12.5S	4-18	±0.2	30-120	±0.8
▽▽▽	3.2S	18-63	±0.3	120-315	±1.2
▽▽▽▽	0.4S	63-250	±0.5	315-1000	±2.0
			±0.8	1000-	±3.0

Q'TY	DESCRIPTION	MATERIAL	DIMENSION	WEIGHT	PART NO.	REMARK	NO.
1	EARTH TERMINAL LUG						5
1	CABLE ENTRY PLATE						4
1	GASKET	NBR					3
1	TERMINAL BOX COVER	CAST IRON					2
1	TERMINAL BOX BODY	CAST IRON					1

APP'D BY	KANG KREONG JUNG	UNIT	INCH	SCALE	Non Scale
CHK'D BY	KIM JIN HONG	SCALE			
CHK'D BY	KIM OK JIN	PROJEC'N	3차 (3rd Angle)		
DSND BY	KIM RYANG GYU	DATE	2011-10-21		

TITLE	Main Terminal Box Assembly				
SUBJECT	NEMA 400, 440				
DWG NO	3M-016882	REF. NO			SHEET NO. of
DWG NO	3M-016882	REF. NO			Revision No. 0