

MODEL NUMBER	HHI60-36-364TS		
HORSEPOWER	60		
RPM / POLES	3600 / 2		
VOLTAGE / PHASE	230 / 460 V / 3		
FRAME	364TS		
ENCLOSURE / DEGREE OF PROTECTION	TEFC / IP55		
FREQUENCY	60 HZ		
FULL LOAD SPEED	3570 RPM		
SERVICE FACTOR	1.15 SF at 40° C / 1.0 SF at 65° C		
INSULATION CLASS	F Class N Varnish		
FULL LOAD AMPS; 230 / 460	131.2 / 65.6 A Usable On 208 V At 145 A		
LOCKED ROTOR CURRENT (% Full Load)	680 / 680 %		
NEMA CODE LETTER	G		
EFFICIENCY / POWER FACTOR	<u>LOAD</u>	<u>EFF.</u>	<u>P.F.</u>
	100 %	94.1 %	91.5 %
	75 %	94.1 %	89.9 %
	50 %	92.6 %	85.3 %
DUTY CYCLE	S1 / Continuous		
TORQUE	<u>FULL LOAD</u>	<u>LRT</u>	<u>BDT</u>
	88.8 lb.ft.	140 %	220 %
NEMA DESIGN	B		
MOMENT OF INERTIA	<u>LOAD (Max.)</u>	<u>MOTOR</u>	
	112.720 lb.ft. <sup>2</sup>	9.280 lb.ft. <sup>2</sup>	
SOUND PRESSURE LEVEL ( No Load 1 M From Motor)	80 dB(A)		
NUMBER OF STARTS (Hot / Cold)	2 Hot / 3 Cold		
MAX. AMBIENT TEMPERATURE	40° C at 1.15 SF / 65° C at 1.0 SF		
MAX. ELEVATION	3300 Ft. Above Sea Level		
TEMPERATURE RISE (At Full Load)	80° C		
DRIVE-END BEARING	6213C3		
OPPOSITE DRIVE-END BEARING	6213C3		
GREASE TYPE	Mobil Polyrex EM		
MOUNTING	F1 (F2 Suitable), W6, W8, B3, V5, V6		
ROTATION	Bi-Directional		
APPROXIMATE WEIGHT	780 lbs.		
AREA CLASSIFICATION	Class I, Division 2, Groups A, B, C, D		
INVERTER RATING	10:1 CT / 20:1 VT - Meets NEMA MG1 Part 31		
SPECIFICATION - In Accordance With	NEMA, CSA		



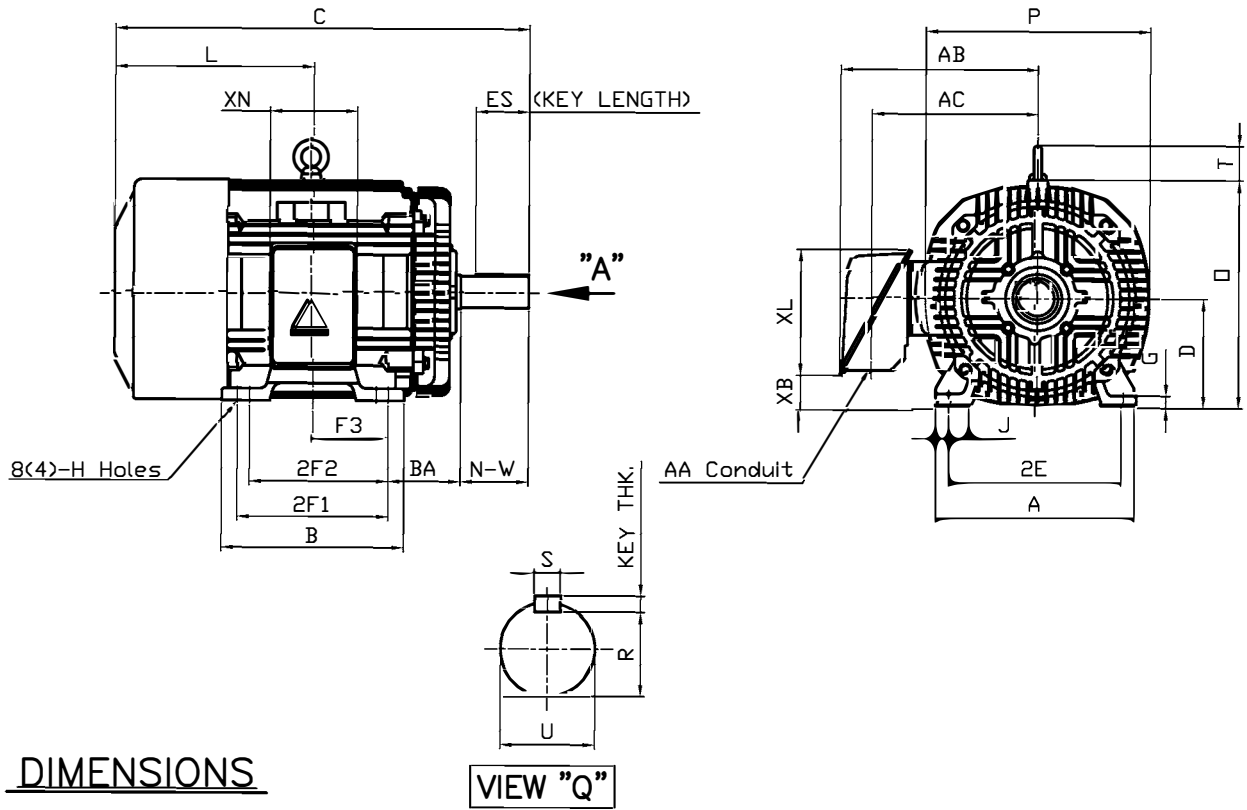
CC 038A



본 도면은 현대중공업(주) 재산이므로  
허가없이 복사할 수 없음 (추첨유위)

THIS DRAWING IS PROPRIETARY TO HEECO. NO PART OF THIS DRAWING  
MAYBE REPRODUCED WITHOUT THE PERMISSION OF HHI.

		<h1>TEFC</h1> <h2>THREE PHASE INDUCTION MOTOR</h2>		<b>TYPE</b> LP, JP Cast iron frame
FRAME SIZE	OUTPUT(HP)	POLES	Hz	TIME RATING
364TS-2P			60	CONT



**DIMENSIONS**

**VIEW "Q"**

M O U N T I N G									C O N D U I T B O X					APPROX. WGT.(LB)	
A	B	2E	2F1	2F2	F3	G	J	H	AA	AB	AC	XB	XL		XN
16.14	14.92	14.00	(12.25)	11.25	6.122	0.98	2.72	0.66	2.50	13.82	13.18	2.70	10.24	7.09	780

O V E R A L L							S H A F T				KEY	BEARING		
BA	C	D	L	O	P	T	U	N-W	KEYWAY			THK.	DRIVE END	OPP. DRIVE END
									R	ES	S			
5.88	31.88	9.00	16.13	18.50	18.23	2.80	1.875	3.75	1.591	2.03	0.500	0.500	6213C3	6213C3

**NOTE**

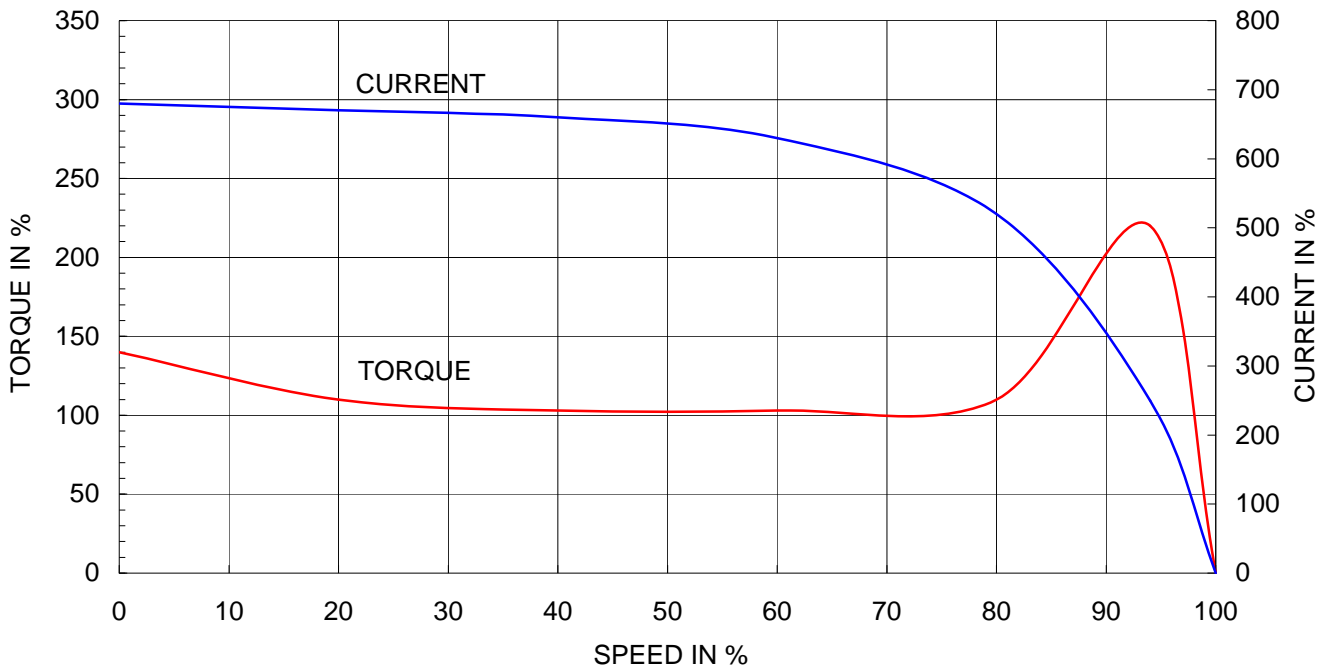
- Dimension "D" tolerance : +0.00inch - 0.03inch (143T-365T) ; +0.000inch - 0.06inch (404T-449T)
- Dimension "U" tolerance : +0.000inch - 0.005inch (143T-215T), +0.000inch - 0.001inch (254T-449T)
- Dimension "R" tolerance : +0.000inch - 0.015inch

Q'TY	DESCRIPTION	MATERIAL	DIMENSION	WEIGHT	PART NO.	REMARK	NO.
APPD BY	K.J. KANG	UNIT	INCH	SUBJECT	364TS	CAD PROJ	FILE
Q.P CHK		SCALE	N/S	TITLE	OUTLINE		
CHKD BY		PROJEC'N	3 각법(3rd Angle)	REF. NO	A1113BA	Sheet No.	of
DSND BY	N.D.LEE	DATE	2011.02.09	DWG NO	350A1113BA	Revision No.	0

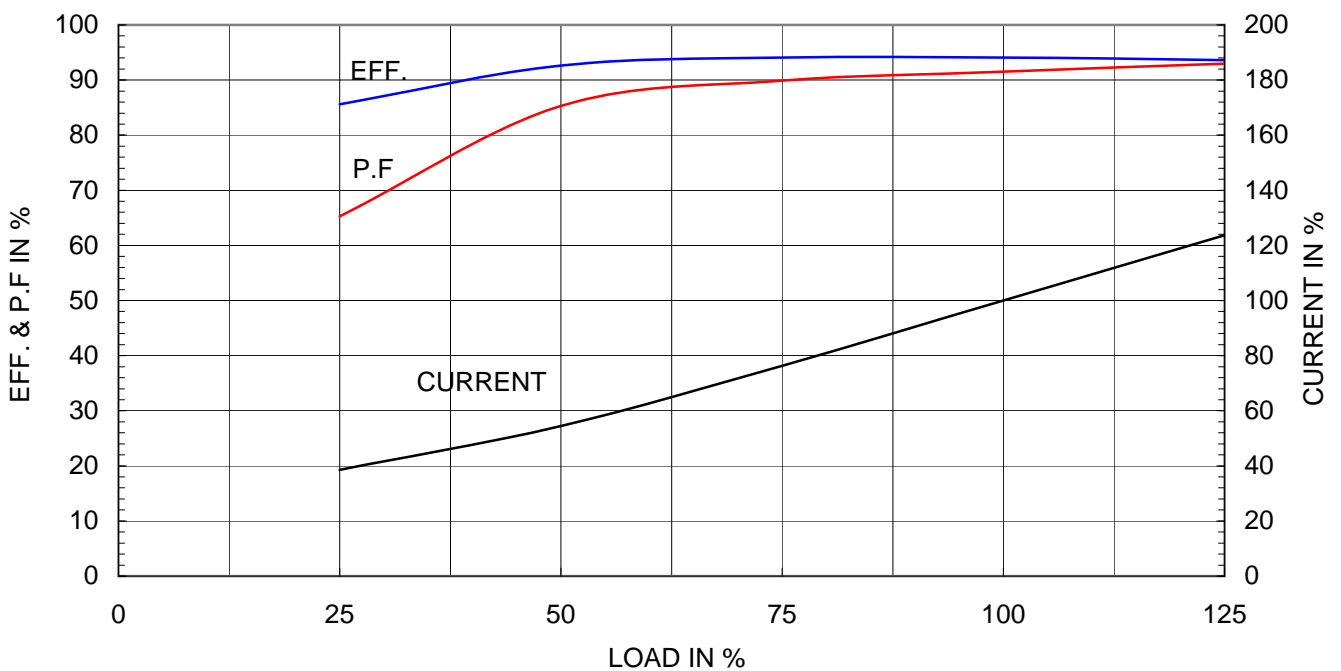
Type :	PLP
Full Load Torque :	88.8 lb.ft
Motor moment of Inertia (J) :	9.280 lb.ft <sup>2</sup>
Load moment of Inertia (J) :	112.720 lb.ft <sup>2</sup>

45 kW	60 HP	60 Hz	
2 P	Rated Speed :	3570 RPM	
Rated Voltage	575V	460V	230V
Full Load Current	52.5A	65.6A	131.2A

SPEED VS TORQUE & CURRENT CURVE



OUTPUT VS EFF., P.F & CURRENT CURVE



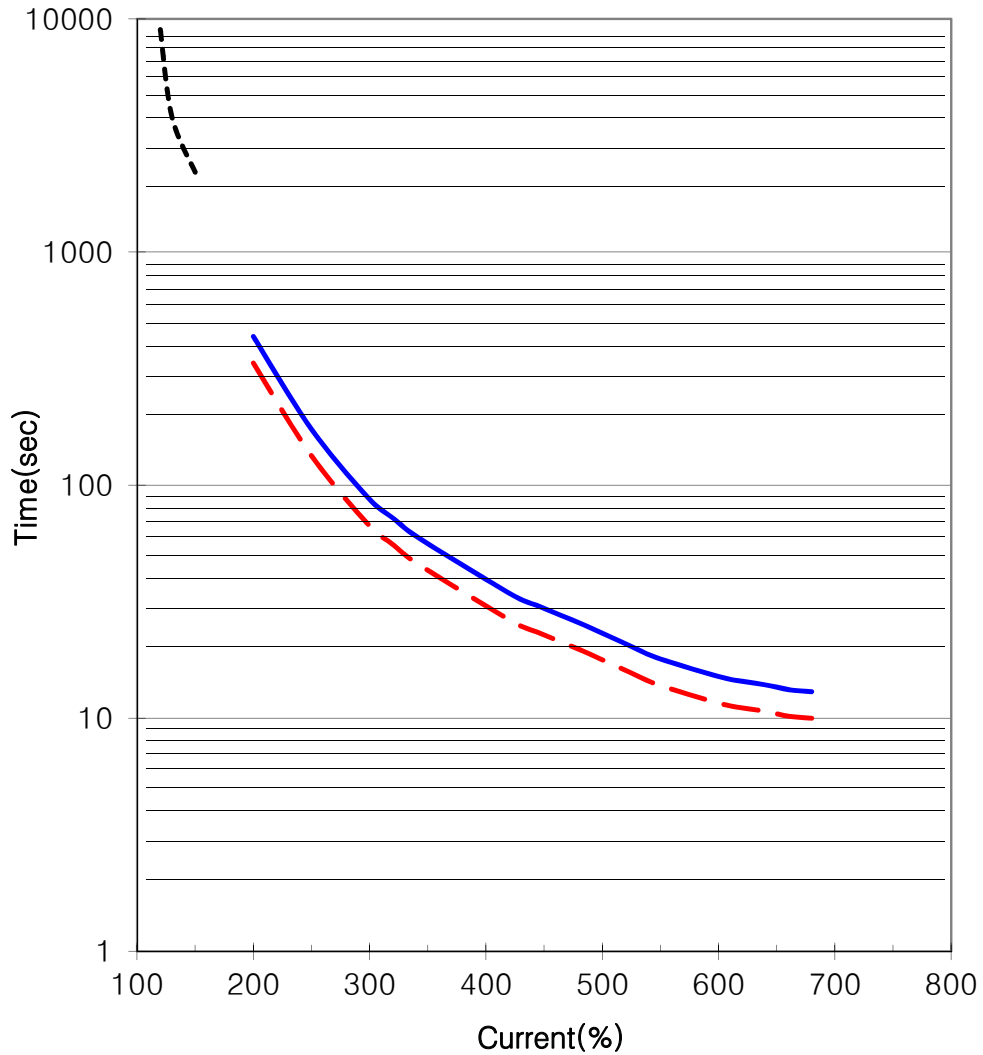


# THERMAL LIMIT & TIME CURRENT CURVE

CURVE NO.

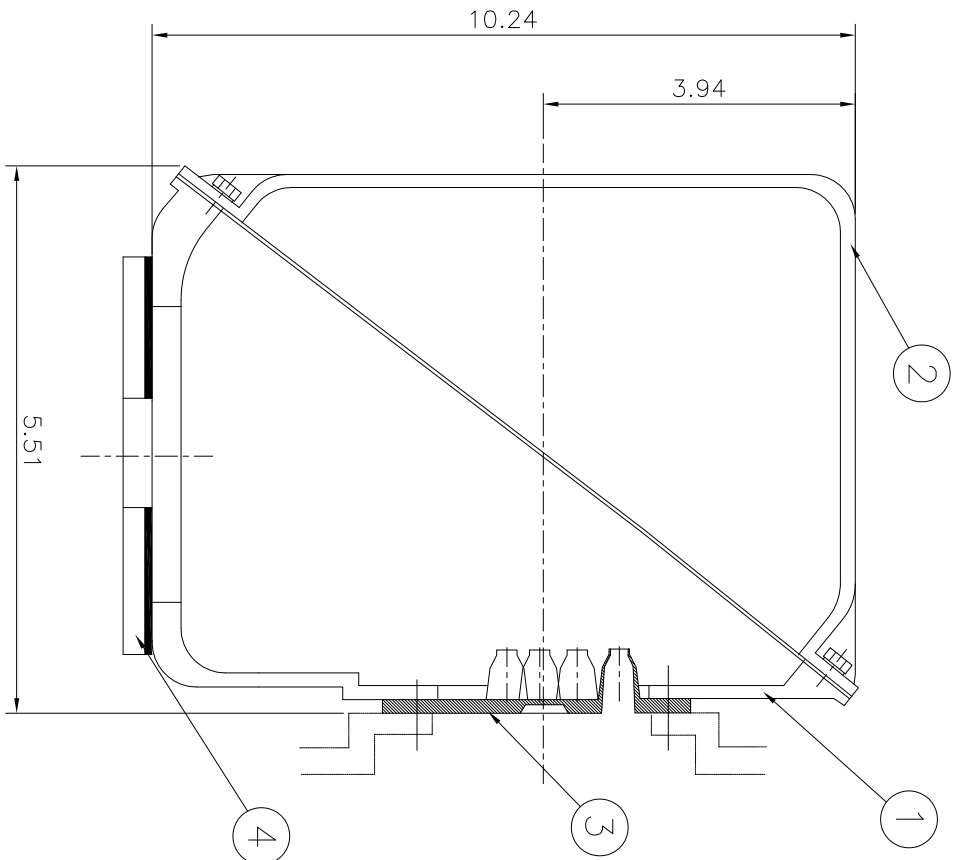
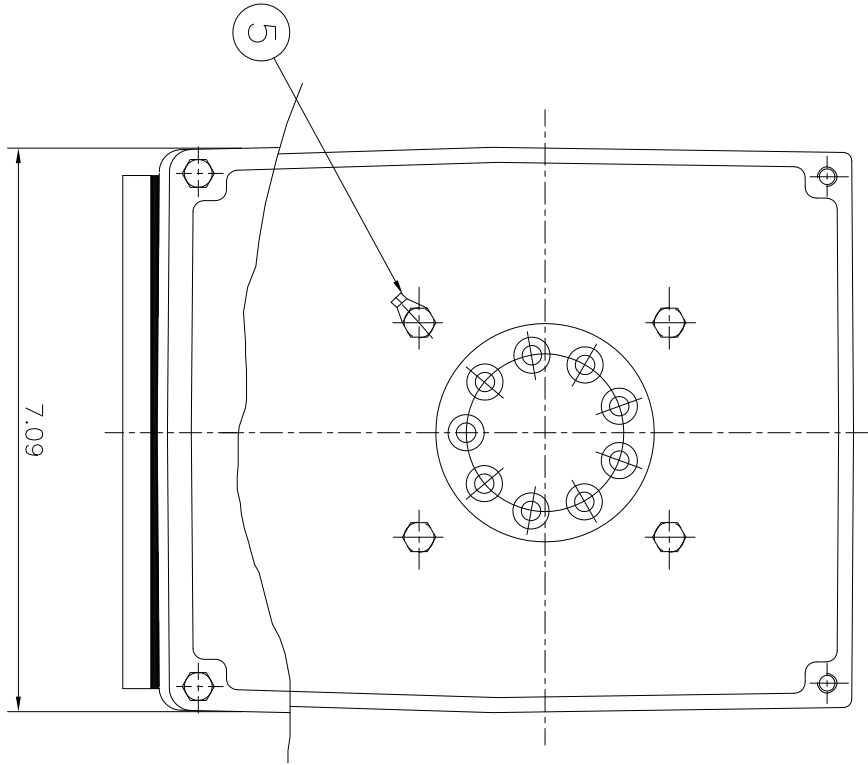
T-PLP60-36-364TS

Type :	PLP60-36-364TS		60	HP	2	P	60	Hz
FULL LOAD TORQUE :	88.8	lb.ft	RATED SPEED :		3570 rpm			
J OF LOAD :	-	lb.ft²	VOLTAGE		460 V	575 V		
J OF MOTOR :	9.3	lb.ft²	RATED CURRENT		65.6A	52.5A		



— THERMAL LIMIT CURVE AT COLD CONDITION  
- - THERMAL LIMIT CURVE AT HOT CONDITION

STARTING TIME	SAFE STALL TIME
- at rated voltage starting	10 sec. at Hot condition
- at 80% of rated voltage starting	13 sec. at Cold condition



▽	SOS
▽▽	12.5S
▽▽▽	3.2S
▽▽▽▽	0.4S

REV	DATE	CONTENTS	REV'D BY	CHK'D BY	CHK'D BY	APP'D BY	250-	5
1								
2								
3								
4								

구분/공차	구분/공차
1-4	±0.1
4-18	±0.2
18-63	±0.3
63-250	±0.5
250-1000	±0.8
1000-	±1.0

1	EARTH TERMINAL LUG									
1	CABLE ENTRY PLATE									
1	GASKET	NBR								
1	TERMINAL BOX COVER	CAST IRON								
1	TERMINAL BOX BODY	CAST IRON								

APP'D BY	KANG KREONG JUNG	UNIT	INCH	SCALE	Non Scale
CHK'D BY	KIM JIN HONG	PROJECT	3차 (3rd Angle)	DATE	2011-10-21
CHK'D BY	KIM OK JIN	PROJECT	3차 (3rd Angle)	DATE	2011-10-21
DSND BY	KIM RYANG GYU	DATE	2011-10-21		

TITLE	Main Terminal Box Assembly	
SUBJECT	NEMA 360	
WEIGHT		
PART NO.		
REMARK		
DWG NO	3M-016881	Sheet No. of
REF. NO		
DWG NO	3M-016881	Revision No. 0



HYUNDAI HEAVY INDUSTRIES CO., LTD.