

MODEL NUMBER	HHI7.5-18-213T		
HORSEPOWER	7.5		
RPM / POLES	1800 / 4		
VOLTAGE / PHASE	230 / 460 V / 3		
FRAME	213T		
ENCLOSURE / DEGREE OF PROTECTION	TEFC / IP54		
FREQUENCY	60 HZ		
FULL LOAD SPEED	1760 RPM		
SERVICE FACTOR	1.15 SF at 40° C / 1.0 SF at 65° C		
INSULATION CLASS	F Class N Varnish		
FULL LOAD AMPS; 230 / 460	19.0 / 9.5 A		
LOCKED ROTOR CURRENT (% Full Load)	770 / 770 %		
NEMA CODE LETTER	J		
EFFICIENCY / POWER FACTOR	<u>LOAD</u>	<u>EFF.</u>	<u>P.F.</u>
	100 %	91.7 %	79.0 %
	75 %	91.7 %	74.0 %
	50 %	89.5 %	63.0 %
DUTY CYCLE	S1 / Continuous		
TORQUE	<u>FULL LOAD</u>	<u>LRT</u>	<u>BDT</u>
	22.0lb.ft.	190 %	250 %
NEMA DESIGN	B		
MOMENT OF INERTIA	<u>LOAD (Max.)</u>	<u>MOTOR</u>	
	130.518 lb.ft. ²	0.570 lb.ft. ²	
SOUND PRESSURE LEVEL (No Load 1 M From Motor)	68 dB(A)		
NUMBER OF STARTS (Hot / Cold)	2 Hot / 3 Cold		
MAX. AMBIENT TEMPERATURE	40° C at 1.15 SF / 65° C at 1.0 SF		
MAX. ELEVATION	3300 Ft. Above Sea Level		
TEMPERATURE RISE (At Full Load)	80° C		
DRIVE-END BEARING	6307ZCC3		
OPPOSITE DRIVE-END BEARING	6307ZCC3		
GREASE TYPE	Mobil Polyrex EM		
MOUNTING	F1 (F2 Suitable), W6, W8, B3, V5, V6		
ROTATION	Bi-Directional		
APPROXIMATE WEIGHT	150 lbs.		
AREA CLASSIFICATION	Class I, Division 2, Groups A, B, C, D		
INVERTER RATING	10:1 CT / 20:1 VT		
SPECIFICATION - In Accordance With	NEMA, CSA		



CC 038A





TEFC

THREE PHASE INDUCTION MOTOR

TYPE

KP,IP

CAST IRON FRAME

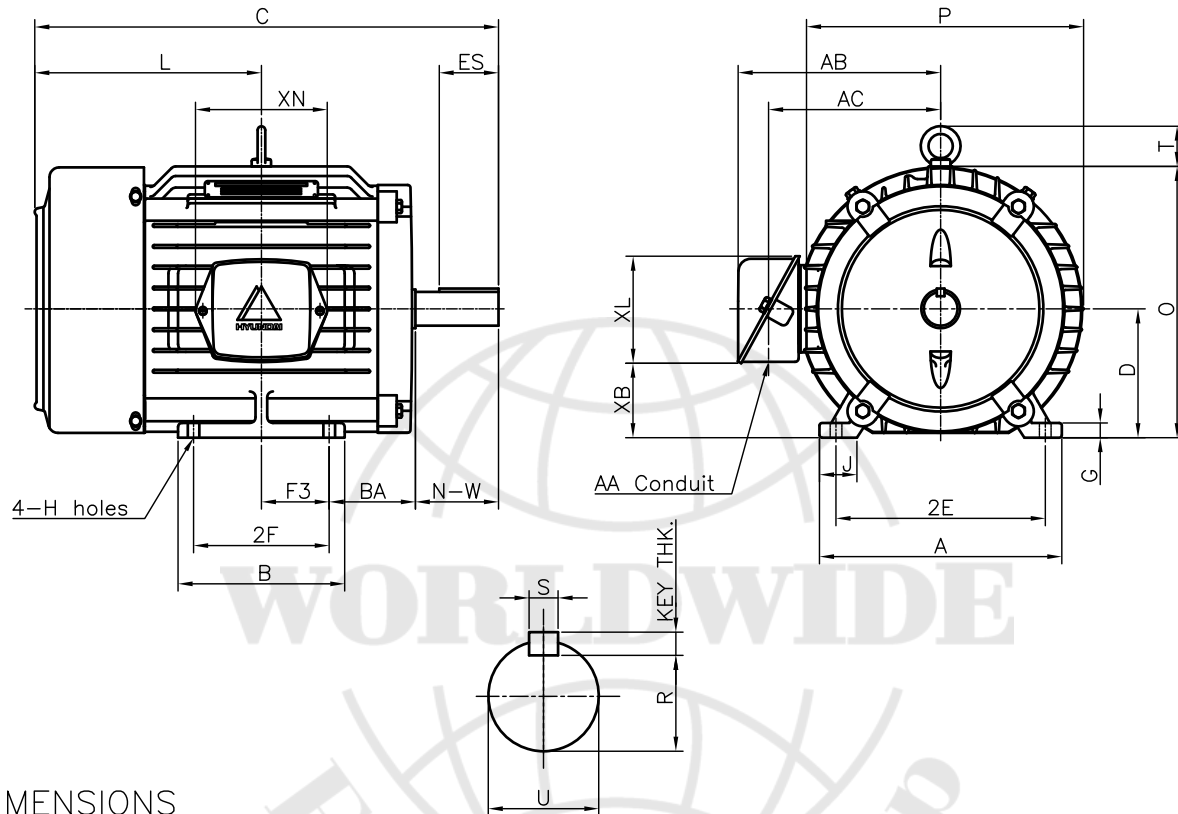
FRAME SIZE

OUTPUT(HP)

POLES

Hz

TIME RATING



DIMENSIONS

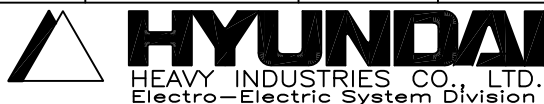
M O U N T I N G									C O N D U I T B O X						APPROX. WGT.(LB)
A	B	2E	2F	-	F3	G	J	H	AA	AB	AC	XB	XL	XN	
9.85	6.77	8.50	5.50	-	2.75	0.60	1.52	0.41	1.00	8.23	7.34	3.03	4.35	5.35	150

O V E R A L L							S H A F T					KEY THK.	B E A R I N G	
BA	C	D	L	O	P	T	U	N-W	KEYWAY				DRIVE END	OPP. DRIVE END
									R	ES	S			
3.50	18.86	5.25	9.22	11.02	11.26	1.63	1.375	3.38	1.201	2.41	0.312	0.312	6307ZZC3	6307ZZC3

NOTE

- 1.Dimension "D" tolerance : +0.00inch - 0.03inch
- 2.Dimension "U" tolerance : +0.000inch - 0.0005inch
- 3.Dimension "R" tolerance : +0.000inch - 0.015inch

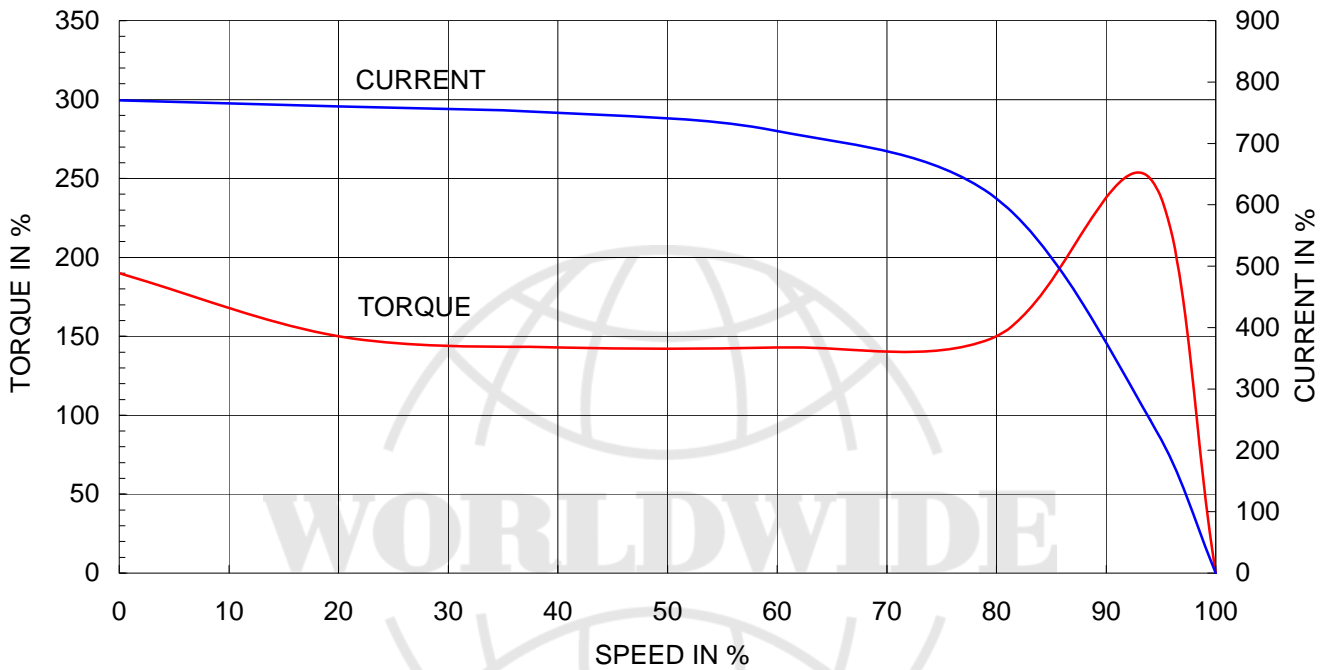
APPD BY	J.H.KIM	UNIT	INCH	SUBJECT	NEMA 213T	CAD PROJ	\ FILE	
CHKD BY	N.D.LEE	SCALE	1/8			SCALE-NEMA\A1105AA		
CHKD BY	K.S.LEE	PROJEC'N	3rd Angle	TITLE				OUTLINE
DSND BY	S.W.SEO	DATE	2010.12.20					



REF. NO	350A1105AA	Sheet No.	of
DWG NO	350A1105AA	Revision No.	0

Type :	PKP
Full Load Torque :	22.0 lb.ft
Motor moment of Inertia (J) :	0.570 lb.ft ²
Load moment of Inertia (J) :	130.518 lb.ft ²

5.5 kW	7.5 HP	60 Hz	
4 P	Rated Speed :	1760 RPM	
Rated Voltage	575V	460V	230V
Full Load Current	7.6A	9.5A	19.0A

SPEED VS TORQUE & CURRENT CURVE

OUTPUT VS EFF., P.F & CURRENT CURVE
