

DATA SHEET

Premium Efficiency Motor: **LAM1-12-145T,**

60 Hz

WorldWide Electric Corporation

1 (800) 808-2131

Worldwideelectric.net



Document Generated: 5-Apr-2021

Document ID:

Customer:

MOTOR INFORMATION

HP	1
RPM	1200
Phase	3
Frequency	60 Hz
Voltage	208-230/460
Frame Size	143/5T
Enclosure	TEFC
Degree of Protection	IP55
Service Factor	1.25
Poles	6
Full Load Speed	1151
Insulation Class	F
Temp Rise	80°C
NEMA Code Letter	J
Duty Cycle	S1 / Continuous
Slip	4.05%
NEMA Design	B
Moment of Inertia	0.116 lb.ft.^2
Locked Rotor Time (Hot)	12 seconds
Sound Pressure Level	64 dB(A)
Number of Starts	2 Cold/1 Hot
Max Ambient Temperature	40°C
Max Elevation	1000 m.a.s.l (3300 f.a.s.l)
Mounting	F1
Rotation	Bi-Directional
Area of Classification	Class 1 Division 2 Groups A,B,C,D T3B
Inverter Rating	10:1 CT / 20:1 VT
Standard	NEMA MG-1
Approvals	UL, CE, IEEE45

EFFICIENCY/POWER FACTOR

LOAD	EFF	P. F.
100%	82.5 %	0.67
75%	82.7 %	0.59
50%	80.5 %	0.46

TORQUE

FULL LOAD	LRT	BDT
4.5 lb.ft.	276 %	315 %

AMPERAGE INFORMATION

	230V	460V
Full Load Amps	3.4A	1.7
Locked Rotor Amps	20A	10A
No Load Current	2.2A	1.1A
Usable at 208V	3.8 A	

BEARING INFORMATION

DE Bearing	6205 ZZ
ODE Bearing	6204 ZZ
Grease Type	NSK SN7
DE Regreasing Interval	-- Hours
ODE Regreasing Interval	-- Hours
Grease Quantity	--

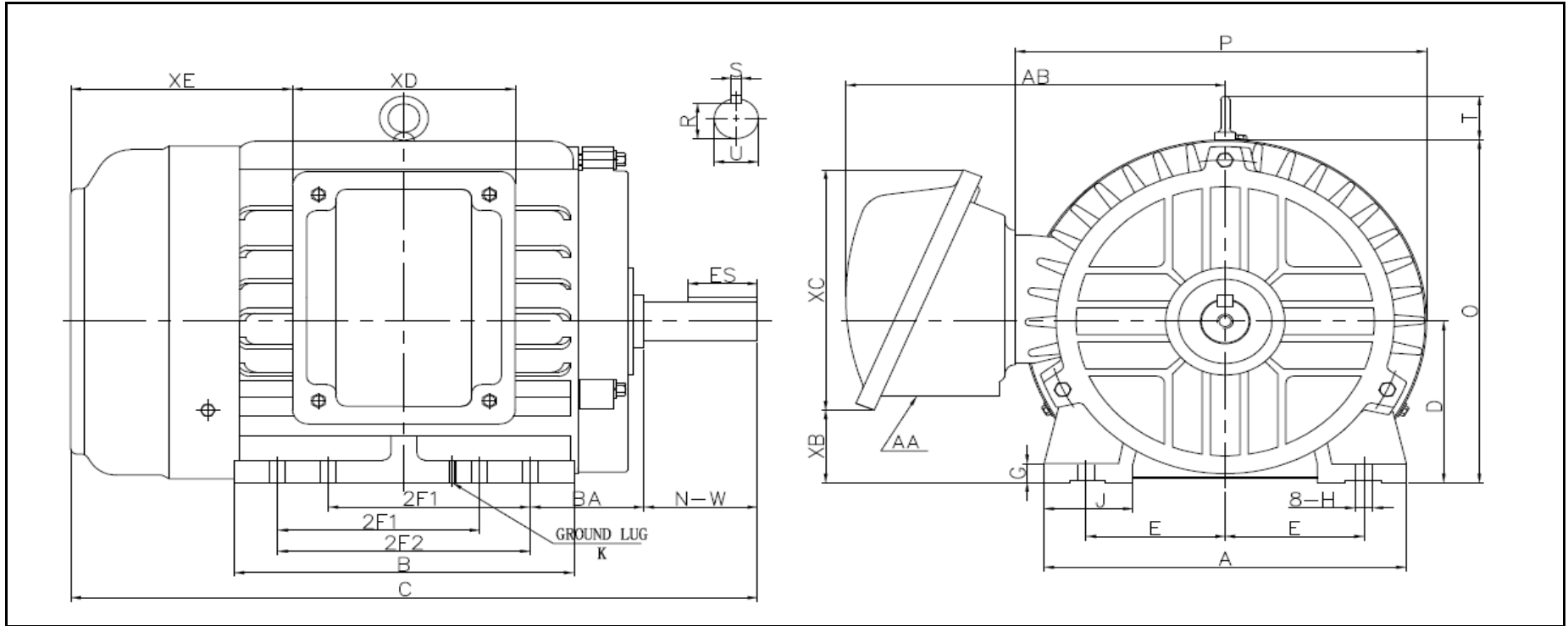
ADDITIONAL DATA

F2 Suitable	YES
Shaft Material	AISI 1045
Connection Diagram	9 Lead Wye
Approximate Weight	lbs.



LOUIS ALLIS MOTOR DRAWING

LAM-143/5T



DIMENSIONS - INCHES

MOUNTING					A	B	C	D	G	J	P	O	T	AB
E	2F1	2F2	H	BA										
2.75	4	5	0.34	2.25	6.7	6.77	13.47	3.5	0.42	1.4	7.87	7.41	1.4	6.46

SHAFT & KEY				
S	ES	R	N-W	U
0.188	1.41	0.771	2.25	0.875

TERMINAL BOX				
AA	XB	XC	XD	XE
3/4	1.45	5.2	4.4	4.39

PERFORMANCE CURVES

WorldWide Electric Corporation

1 (800) 808-2131

Worldwideelectric.net



Premium Efficiency Motor:

LAM1-12-145T

Document Generated:	5-Apr-2021	Customer:	
Document ID:			

Motor Type	LAM		
Output Rating (HP)	1	FL Speed	1151
Full Load Torque	4.5 lb.ft	LRT (%FLT)	276
Rotor Wk^2	0.116 lb-ft^2	BDT (%FLT)	315
		460 volt FLA	1.7
		230 volt FLA	3.4A

