

DATA SHEET

Premium Efficiency Motor: **LAM1.5-36-143TC,**

60 Hz

WorldWide Electric Corporation

1 (800) 808-2131

Worldwideelectric.net



Document Generated: 5-Apr-2021

Document ID:

Customer:

MOTOR INFORMATION

| | |
|-------------------------|---------------------------------------|
| HP | 1.5 |
| RPM | 3600 |
| Phase | 3 |
| Frequency | 60 Hz |
| Voltage | 208-230/460 |
| Frame Size | 143/5TC |
| Enclosure | TEFC |
| Degree of Protection | IP55 |
| Service Factor | 1.25 |
| Poles | 2 |
| Full Load Speed | 3465 |
| Insulation Class | F |
| Temp Rise | 80°C |
| NEMA Code Letter | M |
| Duty Cycle | S1 / Continuous |
| Slip | 3.76% |
| NEMA Design | B |
| Moment of Inertia | 0.05 lb.ft.^2 |
| Locked Rotor Time (Hot) | 12 seconds |
| Sound Pressure Level | 85 dB(A) |
| Number of Starts | 2 Cold/1 Hot |
| Max Ambient Temperature | 40°C |
| Max Elevation | 1000 m.a.s.l (3300 f.a.s.l) |
| Mounting | F1 |
| Rotation | Bi-Directional |
| Area of Classification | Class 1 Division 2 Groups A,B,C,D T3B |
| Inverter Rating | 10:1 CT / 20:1 VT |
| Standard | NEMA MG-1 |
| Approvals | UL, CE, IEEE45 |

EFFICIENCY/POWER FACTOR

| LOAD | EFF | P. F. |
|------|--------|-------|
| 100% | 84.0 % | 0.86 |
| 75% | 84.0 % | 0.80 |
| 50% | 81.6 % | 0.7 |

TORQUE

| FULL LOAD | LRT | BDT |
|------------|-------|-------|
| 2.2 lb.ft. | 396 % | 505 % |

AMPERAGE INFORMATION

| | 230V | 460V |
|-------------------|-------|-------|
| Full Load Amps | 3.8A | 1.9 |
| Locked Rotor Amps | 40A | 20A |
| No Load Current | 1.66A | 0.83A |
| Usable at 208V | 4.2 A | |

BEARING INFORMATION

| | |
|-------------------------|----------|
| DE Bearing | 6205 ZZ |
| ODE Bearing | 6204 ZZ |
| Grease Type | NSK SN7 |
| DE Regreasing Interval | -- Hours |
| ODE Regreasing Interval | -- Hours |
| Grease Quantity | -- |

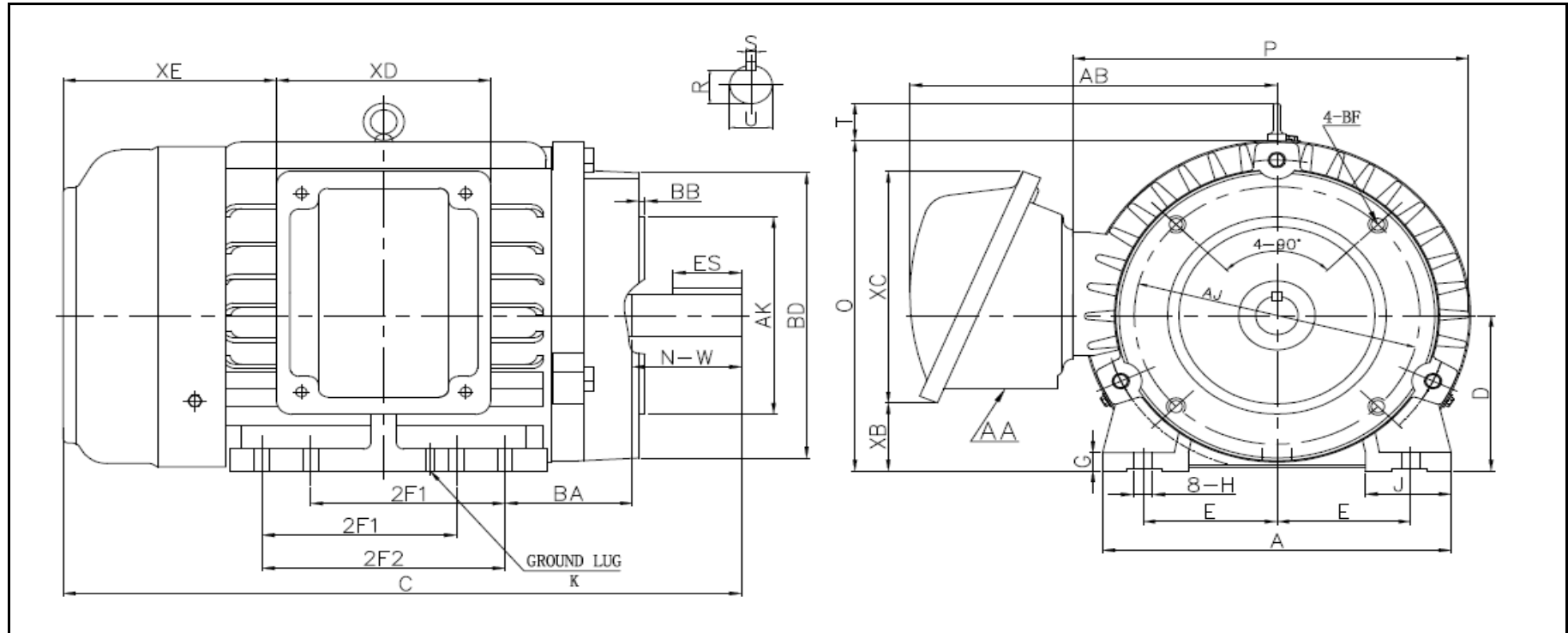
ADDITIONAL DATA

| | |
|--------------------|------------|
| F2 Suitable | YES |
| Shaft Material | AISI 1045 |
| Connection Diagram | 9 Lead Wye |
| Approximate Weight | lbs. |



LOUIS ALLIS MOTOR DRAWING

LAM-143/5TC



DIMENSIONS - INCHES

| MOUNTING | | | | | A | B | C | D | G | J | P | O | T | AB |
|----------|-----|-----|------|------|-----|------|-------|-----|------|-----|------|------|-----|------|
| E | 2F1 | 2F2 | H | BA | | | | | | | | | | |
| 2.75 | 4 | 5 | 0.34 | 2.25 | 6.7 | 6.77 | 13.47 | 3.5 | 0.42 | 1.4 | 7.87 | 7.41 | 1.4 | 6.46 |

| SHAFT & KEY | | | | |
|-------------|------|-------|------|-------|
| S | ES | R | N-W | U |
| 0.188 | 1.41 | 0.771 | 2.25 | 0.875 |

| TERMINAL BOX | | | | |
|--------------|------|-----|-----|------|
| AA | XB | XC | XD | XE |
| 3/4 | 1.45 | 5.2 | 4.4 | 4.39 |

| FLANGE | | | | |
|--------|-----|-------|------------|------|
| AK | BD | AJ | BF | BB |
| 4.5 | 6.5 | 5.875 | (4) 3/8-16 | 0.16 |

REVISED - 3/18/2021

PERFORMANCE CURVES

WorldWide Electric Corporation

1 (800) 808-2131

Worldwideelectric.net



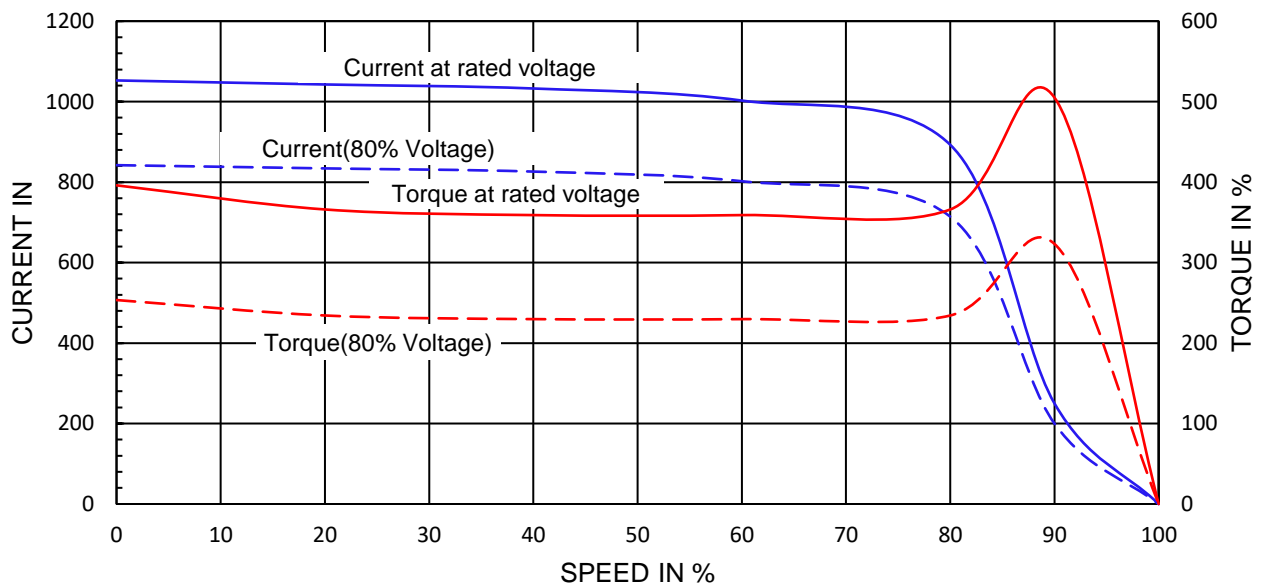
Premium Efficiency Motor:

LAM1.5-36-143TC

| | | | |
|---------------------|------------|-----------|--|
| Document Generated: | 5-Apr-2021 | Customer: | |
| Document ID: | | | |

| | | | |
|-----------------------|-------------------------|--------------|------|
| Motor Type | LAM | | |
| Output Rating (HP) | 1.5 | FL Speed | 3465 |
| Full Load Torque | 2.2 lb.ft | LRT (%FLT) | 396 |
| | | 460 volt FLA | 1.9 |
| Rotor Wk ² | 0.05 lb-ft ² | BDT (%FLT) | 505 |
| | | 230 volt FLA | 3.8A |

SPEED VS TORQUE & CURRENT CURVE



OUTPUT VS EFF., P.F. & CURRENT CURVE

