

# DATA SHEET

Premium Efficiency Motor: **LAM100-12-444TC,**

**60 Hz**

WorldWide Electric Corporation

1 (800) 808-2131

Worldwideelectric.net



Document Generated: 5-Apr-2021

Document ID:

Customer:

## MOTOR INFORMATION

HP	100
RPM	1200
Phase	3
Frequency	60 Hz
Voltage	208-230/460
Frame Size	444/5TC
Enclosure	TEFC
Degree of Protection	IP55
Service Factor	1.25
Poles	6
Full Load Speed	1184
Insulation Class	F
Temp Rise	80°C
NEMA Code Letter	G
Duty Cycle	S1 / Continuous
Slip	1.38%
NEMA Design	B
Moment of Inertia	39.891 lb.ft.^2
Locked Rotor Time (Hot)	12 seconds
Sound Pressure Level	94 dB(A)
Number of Starts	2 Cold/1 Hot
Max Ambient Temperature	40°C
Max Elevation	1000 m.a.s.l (3300 f.a.s.l)
Mounting	F1
Rotation	Bi-Directional
Area of Classification	Class 1 Division 2 Groups A,B,C,D T3B
Inverter Rating	10:1 CT / 20:1 VT
Standard	NEMA MG-1
Approvals	UL, CE, IEEE45

## EFFICIENCY/POWER FACTOR

LOAD	EFF	P. F.
100%	95.0 %	0.87
75%	94.8 %	0.85
50%	94.6 %	0.8

## TORQUE

FULL LOAD	LRT	BDT
445.8 lb.ft.	203 %	281 %

## AMPERAGE INFORMATION

	230V	460V
Full Load Amps	230A	115
Locked Rotor Amps	1536.8A	768.4A
No Load Current	59.6A	29.8A
Usable at 208V	254.3 A	

## BEARING INFORMATION

DE Bearing	6320 C3
ODE Bearing	6316 C3
Grease Type	Mobil Polyrex EM
DE Regreasing Interval	2400 Hours
ODE Regreasing Interval	3600 Hours
Grease Quantity	51g/33g

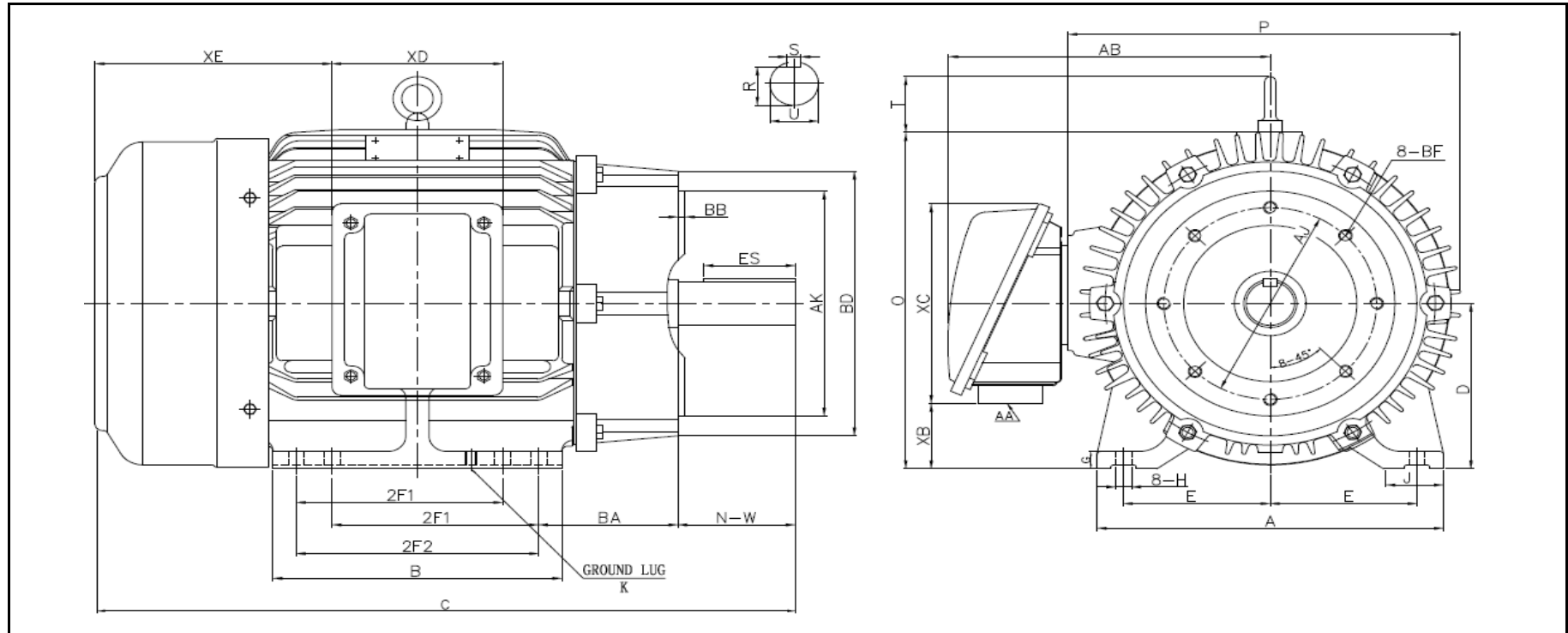
## ADDITIONAL DATA

F2 Suitable	YES
Shaft Material	AISI 1045
Connection Diagram	12 Lead Delta
Approximate Weight	lbs.



# LOUIS ALLIS MOTOR DRAWING

## LAM-444/5TC



### DIMENSIONS - INCHES

MOUNTING					A	B	C	D	G	J	P	O	T	AB
E	2F1	2F2	H	BA										
9	14.5	16.5	0.81	7.5	21.69	19.29	46.65	11	1.417	4.33	22.05	21.65	2.81	19.095

SHAFT & KEY				
S	ES	R	N-W	U
0.875	6.91	2.88	8.5	3.375

TERMINAL BOX				
AA	XB	XC	XD	XE
3	4.29	11.27	9.17	15.47

FLANGE				
AK	BD	AJ	BF	BB
16	18	14	(8) 5/8-11	0.25

REVISED - 3/18/2021

# PERFORMANCE CURVES

WorldWide Electric Corporation

1 (800) 808-2131

Worldwideelectric.net



Premium Efficiency Motor:

**LAM100-12-444TC**

Document Generated:	5-Apr-2021	Customer:	
Document ID:			

Motor Type	LAM		
Output Rating (HP)	100	FL Speed	1184
Full Load Torque	445.8 lb.ft	LRT (%FLT)	203
		460 volt FLA	115
Rotor Wk <sup>2</sup>	39.891 lb-ft <sup>2</sup>	BDT (%FLT)	281
		230 volt FLA	230A

