

# DATA SHEET

Premium Efficiency Motor: **LAM100-36-405TSC,**

**60 Hz**

WorldWide Electric Corporation

1 (800) 808-2131

Worldwideelectric.net



Document Generated: 5-Apr-2021

Document ID:

Customer:

## MOTOR INFORMATION

HP	100
RPM	3600
Phase	3
Frequency	60 Hz
Voltage	208-230/460
Frame Size	404/5TSC
Enclosure	TEFC
Degree of Protection	IP55
Service Factor	1.25
Poles	2
Full Load Speed	3571
Insulation Class	F
Temp Rise	80°C
NEMA Code Letter	G
Duty Cycle	S1 / Continuous
Slip	0.81%
NEMA Design	B
Moment of Inertia	11.532 lb.ft.^2
Locked Rotor Time (Hot)	12 seconds
Sound Pressure Level	102 dB(A)
Number of Starts	2 Cold/1 Hot
Max Ambient Temperature	40°C
Max Elevation	1000 m.a.s.l (3300 f.a.s.l)
Mounting	F1
Rotation	Bi-Directional
Area of Classification	Class 1 Division 2 Groups A,B,C,D T3B
Inverter Rating	10:1 CT / 20:1 VT
Standard	NEMA MG-1
Approvals	UL, CE, IEEE45

## EFFICIENCY/POWER FACTOR

LOAD	EFF	P. F.
100%	94.1 %	0.91
75%	94.2 %	0.90
50%	92.9 %	0.86

## TORQUE

FULL LOAD	LRT	BDT
147.8 lb.ft.	268 %	319 %

## AMPERAGE INFORMATION

	230V	460V
Full Load Amps	218.6A	109.3
Locked Rotor Amps	1485.6A	742.8A
No Load Current	50.6A	25.3A
Usable at 208V	241.7 A	

## BEARING INFORMATION

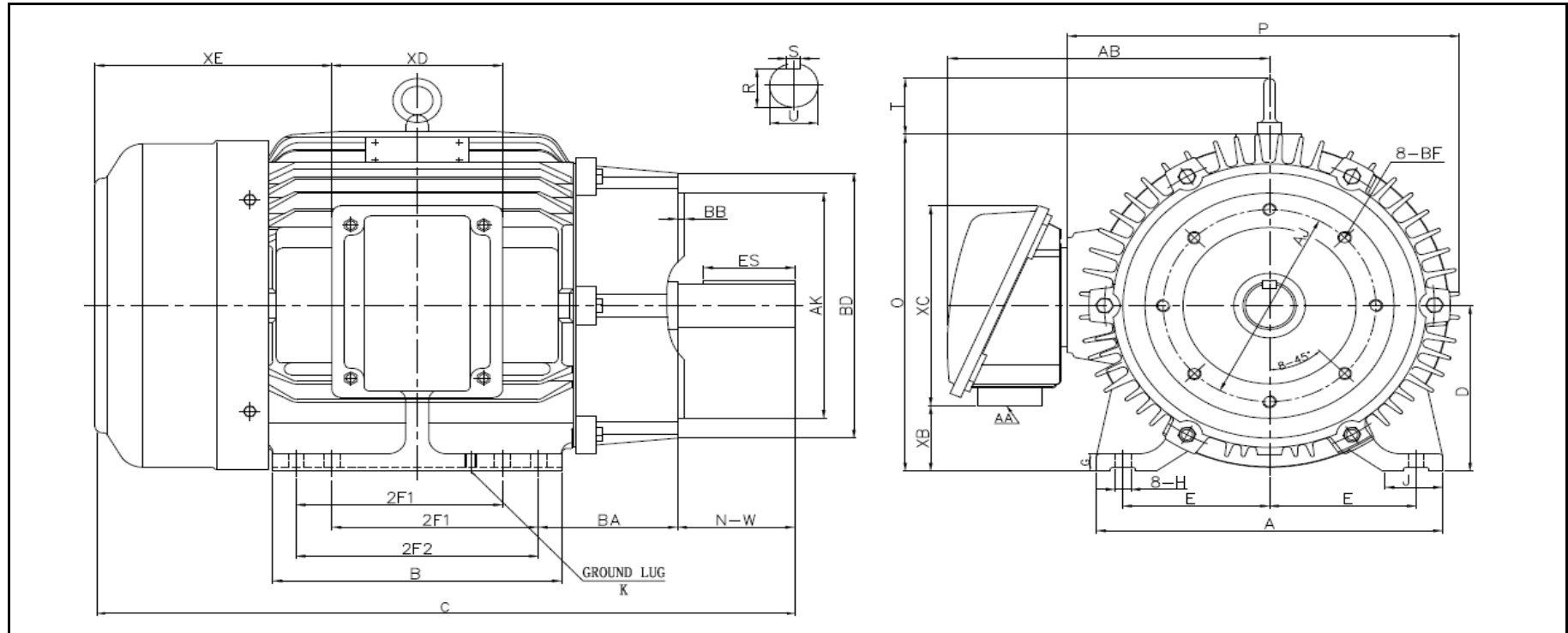
DE Bearing	6316 C3
ODE Bearing	6313 C3
Grease Type	Mobil Polyrex EM
DE Regreasing Interval	2400 Hours
ODE Regreasing Interval	3600 Hours
Grease Quantity	33g/23g

## ADDITIONAL DATA

F2 Suitable	YES
Shaft Material	AISI 1045
Connection Diagram	12 Lead Delta
Approximate Weight	lbs.



# LOUIS ALLIS MOTOR DRAWING LAM-404/5TSC



## DIMENSIONS - INCHES

MOUNTING					A	B	C	D	G	J	P	O	T	AB
E	2F1	2F2	H	BA										
8	12.25	13.75	0.81	6.62	18.89	17.32	37.75	10	1.181	3.937	20.27	20.67	2.81	18.215

SHAFT & KEY				
S	ES	R	N-W	U
0.5	2.785	1.845	4.25	2.125

TERMINAL BOX				
AA	XB	XC	XD	XE
3	5.29	11.27	9.17	12.32

FLANGE				
AK	BD	AJ	BF	BB
12.5	15.5	11	(8) 5/8-11	0.25

REVISED - 3/19/2021

# PERFORMANCE CURVES

WorldWide Electric Corporation

1 (800) 808-2131

Worldwideelectric.net



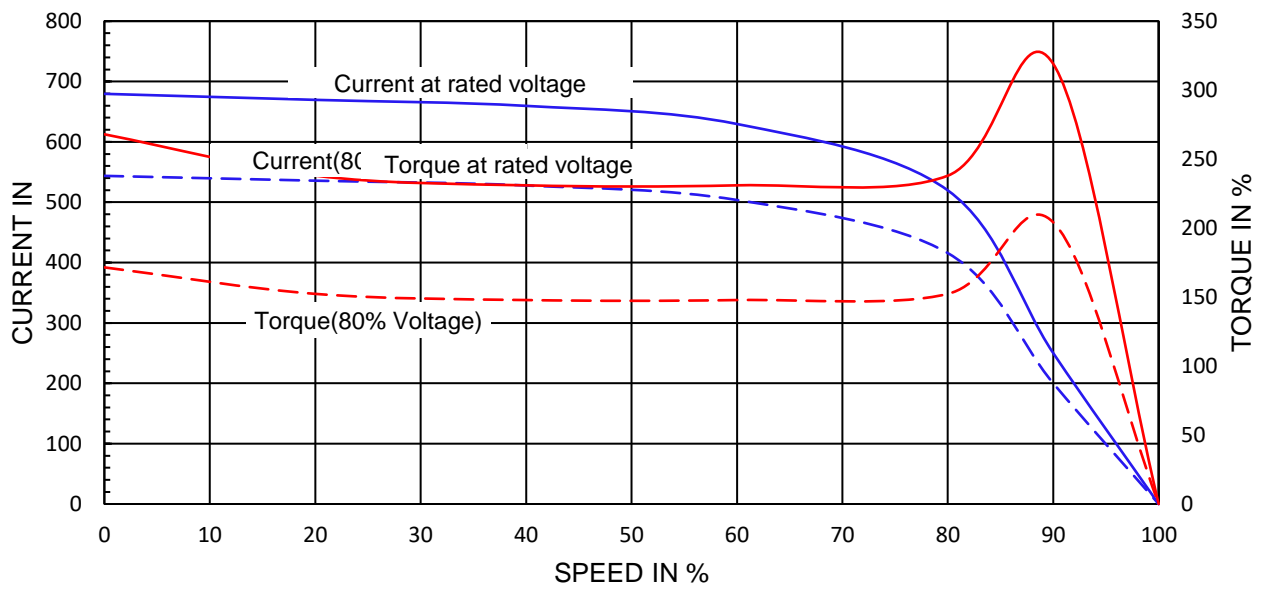
Premium Efficiency Motor:

**LAM100-36-405TSC**

Document Generated:	5-Apr-2021	Customer:	
Document ID:			

Motor Type	LAM		
Output Rating (HP)	100	FL Speed	3571
Full Load Torque	147.8 lb.ft	LRT (%FLT)	268
		460 volt FLA	109.3
Rotor Wk <sup>2</sup>	11.532 lb-ft <sup>2</sup>	BDT (%FLT)	319
		230 volt FLA	218.6A

SPEED VS TORQUE & CURRENT CURVE



OUTPUT VS EFF., P.F. & CURRENT CURVE

