

DATA SHEET

Premium Efficiency Motor: **LAM150-18-445TC,**

60 Hz

WorldWide Electric Corporation

1 (800) 808-2131

Worldwideelectric.net



Document Generated: 5-Apr-2021

Document ID:

Customer:

MOTOR INFORMATION

| | |
|-------------------------|---------------------------------------|
| HP | 150 |
| RPM | 1800 |
| Phase | 3 |
| Frequency | 60 Hz |
| Voltage | 208-230/460 |
| Frame Size | 444/5TC |
| Enclosure | TEFC |
| Degree of Protection | IP55 |
| Service Factor | 1.25 |
| Poles | 4 |
| Full Load Speed | 1785 |
| Insulation Class | F |
| Temp Rise | 80°C |
| NEMA Code Letter | G |
| Duty Cycle | S1 / Continuous |
| Slip | 0.83% |
| NEMA Design | B |
| Moment of Inertia | 38.207 lb.ft.^2 |
| Locked Rotor Time (Hot) | 12 seconds |
| Sound Pressure Level | 100 dB(A) |
| Number of Starts | 2 Cold/1 Hot |
| Max Ambient Temperature | 40°C |
| Max Elevation | 1000 m.a.s.l (3300 f.a.s.l) |
| Mounting | F1 |
| Rotation | Bi-Directional |
| Area of Classification | Class 1 Division 2 Groups A,B,C,D T3B |
| Inverter Rating | 10:1 CT / 20:1 VT |
| Standard | NEMA MG-1 |
| Approvals | UL, CE, IEEE45 |

EFFICIENCY/POWER FACTOR

| LOAD | EFF | P. F. |
|------|--------|-------|
| 100% | 95.8 % | 0.88 |
| 75% | 95.5 % | 0.87 |
| 50% | 95.0 % | 0.83 |

TORQUE

| FULL LOAD | LRT | BDT |
|--------------|-------|-------|
| 434.2 lb.ft. | 139 % | 249 % |

AMPERAGE INFORMATION

| | 230V | 460V |
|-------------------|--------|-------|
| Full Load Amps | 327.4A | 163.7 |
| Locked Rotor Amps | 2284A | 1142A |
| No Load Current | 72.2A | 36.1A |
| Usable at 208V | 362 A | |

BEARING INFORMATION

| | |
|-------------------------|------------------|
| DE Bearing | 6320 C3 |
| ODE Bearing | 6316 C3 |
| Grease Type | Mobil Polyrex EM |
| DE Regreasing Interval | 2400 Hours |
| ODE Regreasing Interval | 3600 Hours |
| Grease Quantity | 51g/33g |

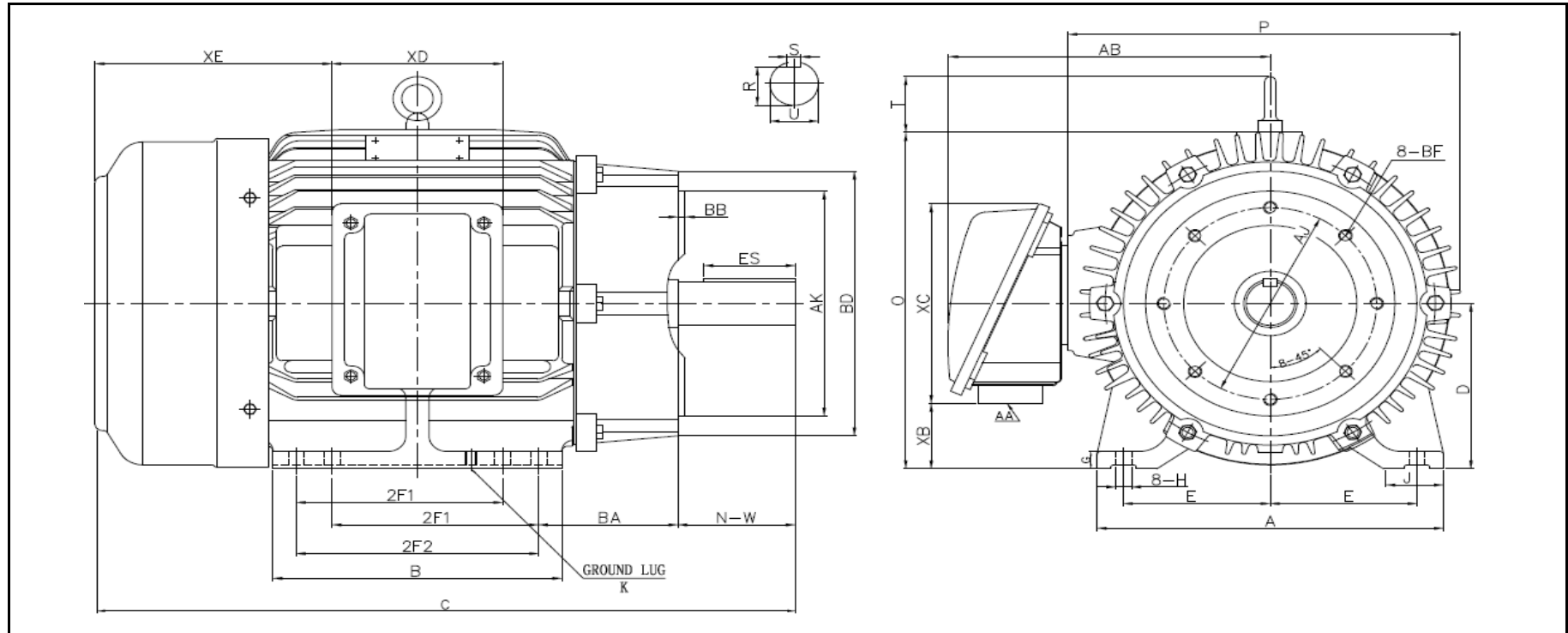
ADDITIONAL DATA

| | |
|--------------------|---------------|
| F2 Suitable | YES |
| Shaft Material | AISI 1045 |
| Connection Diagram | 12 Lead Delta |
| Approximate Weight | lbs. |



LOUIS ALLIS MOTOR DRAWING

LAM-444/5TC



DIMENSIONS - INCHES

| MOUNTING | | | | | A | B | C | D | G | J | P | O | T | AB |
|----------|------|------|------|-----|-------|-------|-------|----|-------|------|-------|-------|------|--------|
| E | 2F1 | 2F2 | H | BA | | | | | | | | | | |
| 9 | 14.5 | 16.5 | 0.81 | 7.5 | 21.69 | 19.29 | 46.65 | 11 | 1.417 | 4.33 | 22.05 | 21.65 | 2.81 | 19.095 |

| SHAFT & KEY | | | | |
|-------------|------|------|-----|-------|
| S | ES | R | N-W | U |
| 0.875 | 6.91 | 2.88 | 8.5 | 3.375 |

| TERMINAL BOX | | | | |
|--------------|------|-------|------|-------|
| AA | XB | XC | XD | XE |
| 3 | 4.29 | 11.27 | 9.17 | 15.47 |

| FLANGE | | | | |
|--------|----|----|------------|------|
| AK | BD | AJ | BF | BB |
| 16 | 18 | 14 | (8) 5/8-11 | 0.25 |

REVISED - 3/18/2021

PERFORMANCE CURVES

WorldWide Electric Corporation

1 (800) 808-2131

Worldwideelectric.net



Premium Efficiency Motor:

LAM150-18-445TC

| | | | |
|---------------------|------------|-----------|--|
| Document Generated: | 5-Apr-2021 | Customer: | |
| Document ID: | | | |

| | | | |
|-----------------------|---------------------------|--------------|--------|
| Motor Type | LAM | | |
| Output Rating (HP) | 150 | FL Speed | 1785 |
| Full Load Torque | 434.2 lb.ft | LRT (%FLT) | 139 |
| | | 460 volt FLA | 163.7 |
| Rotor Wk ² | 38.207 lb-ft ² | BDT (%FLT) | 249 |
| | | 230 volt FLA | 327.4A |

