

# DATA SHEET

Premium Efficiency Motor: **LAM150-36-445TS,**

**60 Hz**

WorldWide Electric Corporation

1 (800) 808-2131

Worldwideelectric.net



Document Generated: 5-Apr-2021

Document ID:

Customer:

## MOTOR INFORMATION

HP	150
RPM	3600
Phase	3
Frequency	60 Hz
Voltage	208-230/460
Frame Size	444/5TS
Enclosure	TEFC
Degree of Protection	IP55
Service Factor	1.25
Poles	2
Full Load Speed	3580
Insulation Class	F
Temp Rise	80°C
NEMA Code Letter	F
Duty Cycle	S1 / Continuous
Slip	0.57%
NEMA Design	B
Moment of Inertia	15.428 lb.ft.^2
Locked Rotor Time (Hot)	12 seconds
Sound Pressure Level	104 dB(A)
Number of Starts	2 Cold/1 Hot
Max Ambient Temperature	40°C
Max Elevation	1000 m.a.s.l (3300 f.a.s.l)
Mounting	F1
Rotation	Bi-Directional
Area of Classification	Class 1 Division 2 Groups A,B,C,D T3B
Inverter Rating	10:1 CT / 20:1 VT
Standard	NEMA MG-1
Approvals	UL, CE, IEEE45

## EFFICIENCY/POWER FACTOR

LOAD	EFF	P. F.
100%	95.0 %	0.9
75%	95.3 %	0.87
50%	94.3 %	0.81

## TORQUE

FULL LOAD	LRT	BDT
220 lb.ft.	186 %	247 %

## AMPERAGE INFORMATION

	230V	460V
Full Load Amps	322.4A	161.2
Locked Rotor Amps	1896.4A	948.2A
No Load Current	62.2A	31.1A
Usable at 208V	356.5 A	

## BEARING INFORMATION

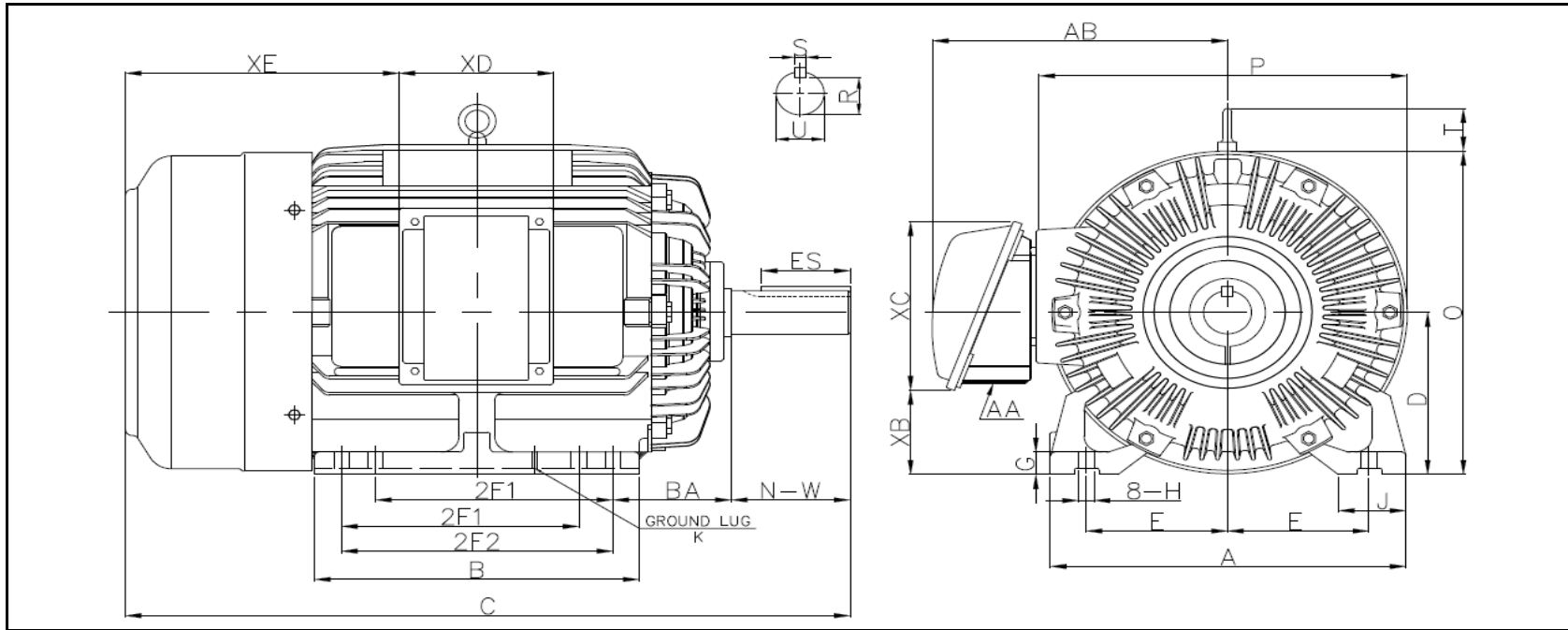
DE Bearing	6320 C3
ODE Bearing	6316 C3
Grease Type	Mobil Polyrex EM
DE Regreasing Interval	2400 Hours
ODE Regreasing Interval	3600 Hours
Grease Quantity	51g/33g

## ADDITIONAL DATA

F2 Suitable	YES
Shaft Material	AISI 1045
Connection Diagram	12 Lead Delta
Approximate Weight	lbs.



# LOUIS ALLIS MOTOR DRAWING LAM-444/5TS



### DIMENSIONS - INCHES

MOUNTING					A	B	C	D	G	J	P	O	T	AB
E	2F1	2F2	H	BA										
9	14.5	16.5	0.81	7.5	21.69	19.29	42.9	11	1.417	4.33	22.05	21.65	2.81	19.095

SHAFT & KEY				
S	ES	R	N-W	U
0.625	3.03	2.021	4.75	2.375

TERMINAL BOX				
AA	XB	XC	XD	XE
3	4.29	11.27	9.17	15.47

# PERFORMANCE CURVES

WorldWide Electric Corporation

1 (800) 808-2131

Worldwideelectric.net



Premium Efficiency Motor:

**LAM150-36-445TS**

Document Generated:	5-Apr-2021	Customer:	
Document ID:			

Motor Type	LAM		
Output Rating (HP)	150	FL Speed	3580
Full Load Torque	220 lb.ft	LRT (%FLT)	186
		460 volt FLA	161.2
Rotor Wk <sup>2</sup>	15.428 lb-ft <sup>2</sup>	BDT (%FLT)	247
		230 volt FLA	322.4A

