

DATA SHEET

Premium Efficiency Motor: **LAM2-36-145TC,**

60 Hz

WorldWide Electric Corporation

1 (800) 808-2131

Worldwideelectric.net



Document Generated: 5-Apr-2021

Document ID:

Customer:

MOTOR INFORMATION

HP	2
RPM	3600
Phase	3
Frequency	60 Hz
Voltage	208-230/460
Frame Size	143/5TC
Enclosure	TEFC
Degree of Protection	IP55
Service Factor	1.25
Poles	2
Full Load Speed	3442
Insulation Class	F
Temp Rise	80°C
NEMA Code Letter	K
Duty Cycle	S1 / Continuous
Slip	4.40%
NEMA Design	B
Moment of Inertia	0.058 lb.ft. ²
Locked Rotor Time (Hot)	12 seconds
Sound Pressure Level	85 dB(A)
Number of Starts	2 Cold/1 Hot
Max Ambient Temperature	40°C
Max Elevation	1000 m.a.s.l (3300 f.a.s.l)
Mounting	F1
Rotation	Bi-Directional
Area of Classification	Class 1 Division 2 Groups A,B,C,D T3B
Inverter Rating	10:1 CT / 20:1 VT
Standard	NEMA MG-1
Approvals	UL, CE, IEEE45

EFFICIENCY/POWER FACTOR

LOAD	EFF	P. F.
100%	85.5 %	0.88
75%	85.7 %	0.84
50%	85.1 %	0.75

TORQUE

FULL LOAD	LRT	BDT
3.07 lb.ft.	428 %	496 %

AMPERAGE INFORMATION

	230V	460V
Full Load Amps	5A	2.5
Locked Rotor Amps	44.6A	22.3A
No Load Current	1.8A	0.9A
Usable at 208V	5.5 A	

BEARING INFORMATION

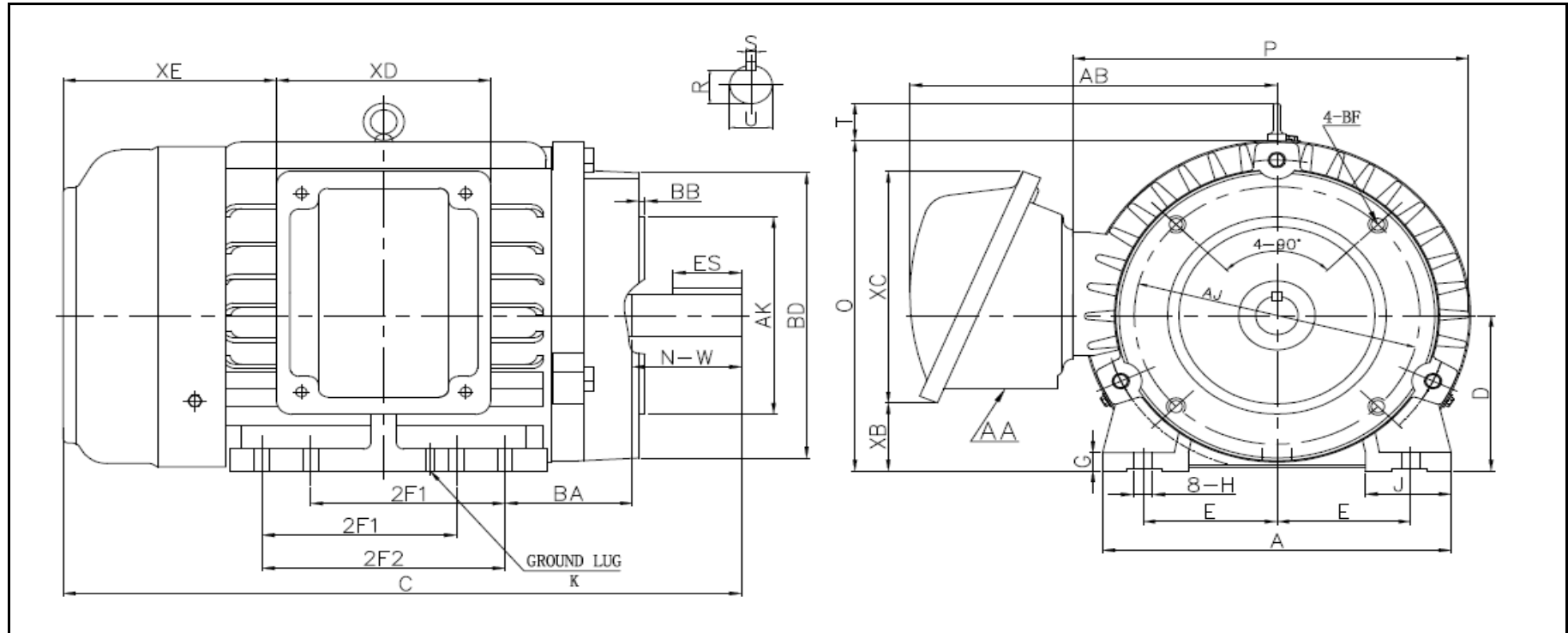
DE Bearing	6205 ZZ
ODE Bearing	6204 ZZ
Grease Type	NSK SN7
DE Regreasing Interval	-- Hours
ODE Regreasing Interval	-- Hours
Grease Quantity	--

ADDITIONAL DATA

F2 Suitable	YES
Shaft Material	AISI 1045
Connection Diagram	9 Lead Wye
Approximate Weight	lbs.



LOUIS ALLIS MOTOR DRAWING LAM-143/5TC



DIMENSIONS - INCHES

MOUNTING					A	B	C	D	G	J	P	O	T	AB
E	2F1	2F2	H	BA										
2.75	4	5	0.34	2.25	6.7	6.77	13.47	3.5	0.42	1.4	7.87	7.41	1.4	6.46

SHAFT & KEY				
S	ES	R	N-W	U
0.188	1.41	0.771	2.25	0.875

TERMINAL BOX				
AA	XB	XC	XD	XE
3/4	1.45	5.2	4.4	4.39

FLANGE				
AK	BD	AJ	BF	BB
4.5	6.5	5.875	(4) 3/8-16	0.16

REVISED - 3/18/2021

PERFORMANCE CURVES

WorldWide Electric Corporation

1 (800) 808-2131

Worldwideelectric.net



Premium Efficiency Motor:

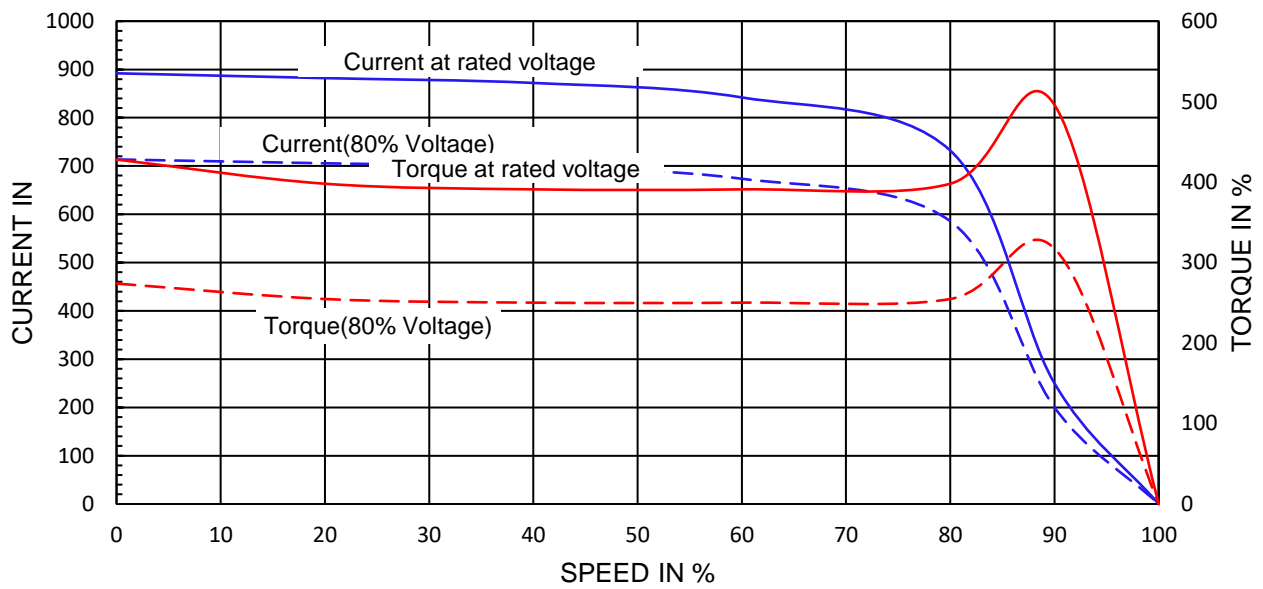
LAM2-36-145TC

Document Generated: 5-Apr-2021
Document ID:

Customer:

Motor Type	LAM		FL Speed	3442	
Output Rating (HP)	2		LRT (%FLT)	428	460 volt FLA 2.5
Full Load Torque	3.07	lb.ft	BDT (%FLT)	496	230 volt FLA 5A
Rotor Wk ²	0.058	lb-ft ²			

SPEED VS TORQUE & CURRENT CURVE



OUTPUT VS EFF., P.F. & CURRENT CURVE

