

# DATA SHEET

Premium Efficiency Motor: **LAM20-12-286TC,**

**60 Hz**

WorldWide Electric Corporation

1 (800) 808-2131

Worldwideelectric.net



Document Generated: 5-Apr-2021

Document ID:

Customer:

## MOTOR INFORMATION

HP	20
RPM	1200
Phase	3
Frequency	60 Hz
Voltage	208-230/460
Frame Size	284/6TC
Enclosure	TEFC
Degree of Protection	IP55
Service Factor	1.25
Poles	6
Full Load Speed	1183
Insulation Class	F
Temp Rise	80°C
NEMA Code Letter	G
Duty Cycle	S1 / Continuous
Slip	1.40%
NEMA Design	B
Moment of Inertia	7.527 lb.ft. <sup>2</sup>
Locked Rotor Time (Hot)	12 seconds
Sound Pressure Level	80 dB(A)
Number of Starts	2 Cold/1 Hot
Max Ambient Temperature	40°C
Max Elevation	1000 m.a.s.l (3300 f.a.s.l)
Mounting	F1
Rotation	Bi-Directional
Area of Classification	Class 1 Division 2 Groups A,B,C,D T3B
Inverter Rating	10:1 CT / 20:1 VT
Standard	NEMA MG-1
Approvals	UL, CE, IEEE45

## EFFICIENCY/POWER FACTOR

LOAD	EFF	P. F.
100%	91.7 %	0.78
75%	91.2 %	0.72
50%	89.4 %	0.61

## TORQUE

FULL LOAD	LRT	BDT
89 lb.ft.	261 %	305 %

## AMPERAGE INFORMATION

	230V	460V
Full Load Amps	52.6A	26.3
Locked Rotor Amps	314.8A	157.4A
No Load Current	26.4A	13.2A
Usable at 208V	58.2 A	

## BEARING INFORMATION

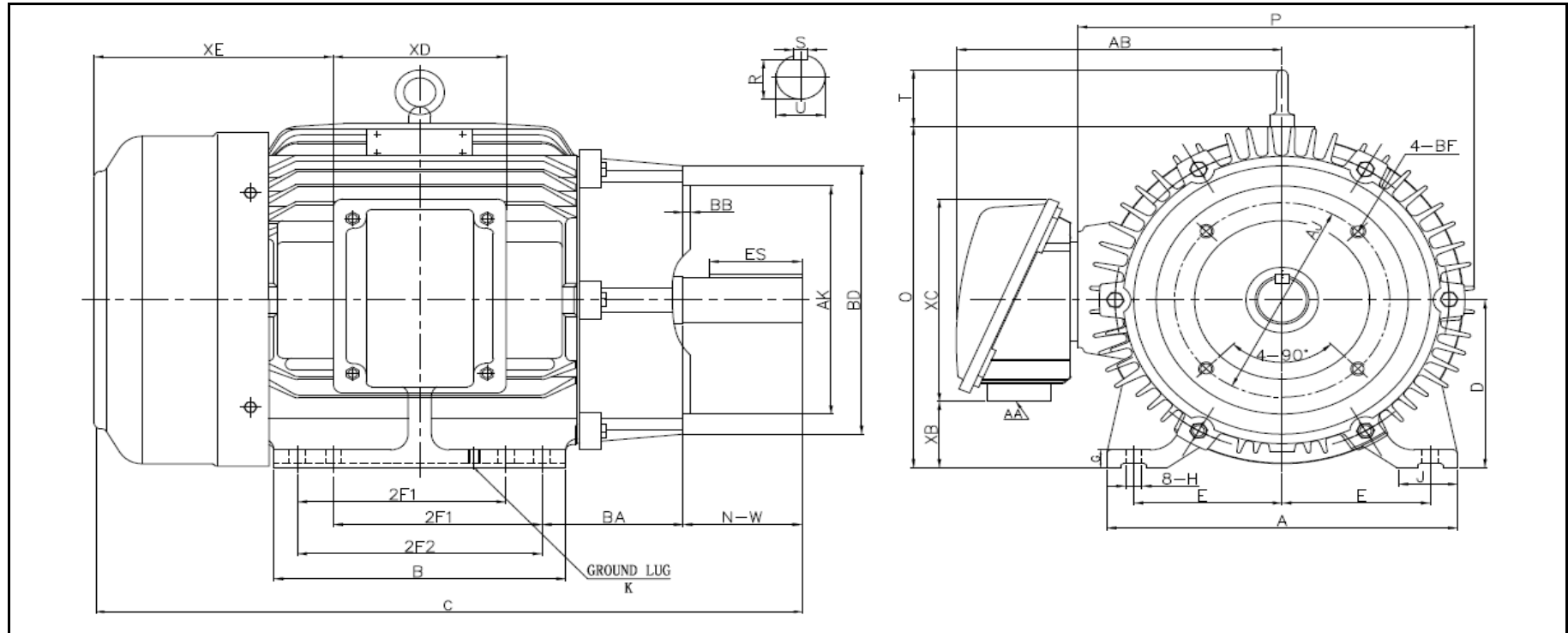
DE Bearing	6311 C3
ODE Bearing	6310 C3
Grease Type	Mobil Polyrex EM
DE Regreasing Interval	2400 Hours
ODE Regreasing Interval	3600 Hours
Grease Quantity	17g/15g

## ADDITIONAL DATA

F2 Suitable	YES
Shaft Material	AISI 1045
Connection Diagram	12 Lead Delta
Approximate Weight	lbs.



# LOUIS ALLIS MOTOR DRAWING LAM-284/6TC



### DIMENSIONS - INCHES

MOUNTING					A	B	C	D	G	J	P	O	T	AB
E	2F1	2F2	H	BA										
5.5	9.5	11	0.53	4.75	13.97	13.18	29.1	7	0.7795	3.07	14.56	14.04	2.42	12.02

SHAFT & KEY				
S	ES	R	N-W	U
0.5	3.28	1.59	4.62	1.875

TERMINAL BOX				
AA	XB	XC	XD	XE
1 1/2	2.75	8.17	6.85	10.3

FLANGE				
AK	BD	AJ	BF	BB
10.5	11.25	9	(4) 1/2-13	0.25

REVISED - 3/18/2021

# PERFORMANCE CURVES

WorldWide Electric Corporation

1 (800) 808-2131

Worldwideelectric.net



Premium Efficiency Motor:

**LAM20-12-286TC**

Document Generated:	5-Apr-2021	Customer:	
Document ID:			

Motor Type	LAM		
Output Rating (HP)	20	FL Speed	1183
Full Load Torque	89 lb.ft	LRT (%FLT)	261
		460 volt FLA	26.3
Rotor Wk <sup>2</sup>	7.527 lb-ft <sup>2</sup>	BDT (%FLT)	305
		230 volt FLA	52.6A

