

DATA SHEET

Premium Efficiency Motor: **LAM20-36-256T**,

60 Hz

WorldWide Electric Corporation

1 (800) 808-2131

Worldwideelectric.net



Document Generated: 5-Apr-2021

Document ID:

Customer:

MOTOR INFORMATION

HP	20
RPM	3600
Phase	3
Frequency	60 Hz
Voltage	208-230/460
Frame Size	254/6T
Enclosure	TEFC
Degree of Protection	IP55
Service Factor	1.25
Poles	2
Full Load Speed	3519
Insulation Class	F
Temp Rise	80°C
NEMA Code Letter	G
Duty Cycle	S1 / Continuous
Slip	2.25%
NEMA Design	B
Moment of Inertia	1.247 lb.ft. ²
Locked Rotor Time (Hot)	12 seconds
Sound Pressure Level	94 dB(A)
Number of Starts	2 Cold/1 Hot
Max Ambient Temperature	40°C
Max Elevation	1000 m.a.s.l (3300 f.a.s.l)
Mounting	F1
Rotation	Bi-Directional
Area of Classification	Class 1 Division 2 Groups A,B,C,D T3B
Inverter Rating	10:1 CT / 20:1 VT
Standard	NEMA MG-1
Approvals	UL, CE, IEEE45

EFFICIENCY/POWER FACTOR

LOAD	EFF	P. F.
100%	91.0 %	0.93
75%	91.8 %	0.92
50%	91.3 %	0.9

TORQUE

FULL LOAD	LRT	BDT
29.9 lb.ft.	394 %	561 %

AMPERAGE INFORMATION

	230V	460V
Full Load Amps	44.6A	22.3
Locked Rotor Amps	309.2A	154.6A
No Load Current	7.6A	3.8A
Usable at 208V	49.3 A	

BEARING INFORMATION

DE Bearing	6309 C3
ODE Bearing	6307 C3
Grease Type	Mobil Polyrex EM
DE Regreasing Interval	2400 Hours
ODE Regreasing Interval	3600 Hours
Grease Quantity	13g/8g

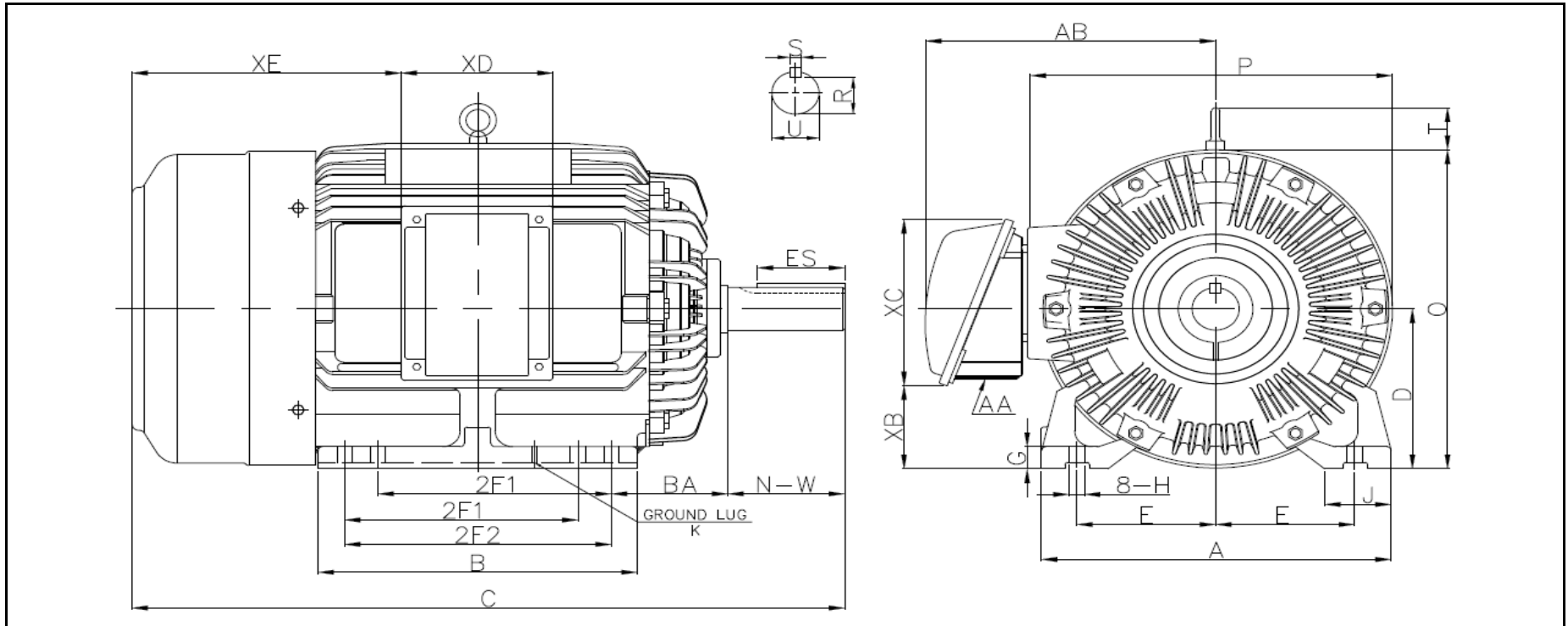
ADDITIONAL DATA

F2 Suitable	YES
Shaft Material	AISI 1045
Connection Diagram	9 Lead Wye
Approximate Weight	319.7 lbs.



LOUIS ALLIS MOTOR DRAWING

LAM-254/6T



DIMENSIONS - INCHES

MOUNTING					A	B	C	D	G	J	P	O	T	AB
E	2F1	2F2	H	BA										
5	8.25	10	0.53	4.25	11.8	11.57	25.39	6.25	0.669	2.038	13.46	12.68	2.03	10.57

SHAFT & KEY				
S	ES	R	N-W	U
0.375	2.91	1.416	4	1.625

TERMINAL BOX				
AA	XB	XC	XD	XE
1 1/2	2.86	7.2	5.8	8.1

PERFORMANCE CURVES

WorldWide Electric Corporation

1 (800) 808-2131

Worldwideelectric.net



Premium Efficiency Motor:

LAM20-36-256T

Document Generated:	5-Apr-2021	Customer:	
Document ID:			

Motor Type	LAM				
Output Rating (HP)	20	FL Speed	3519		
Full Load Torque	29.9 lb.ft	LRT (%FLT)	394	460 volt FLA	22.3
Rotor Wk ²	1.247 lb-ft ²	BDT (%FLT)	561	230 volt FLA	44.6A

