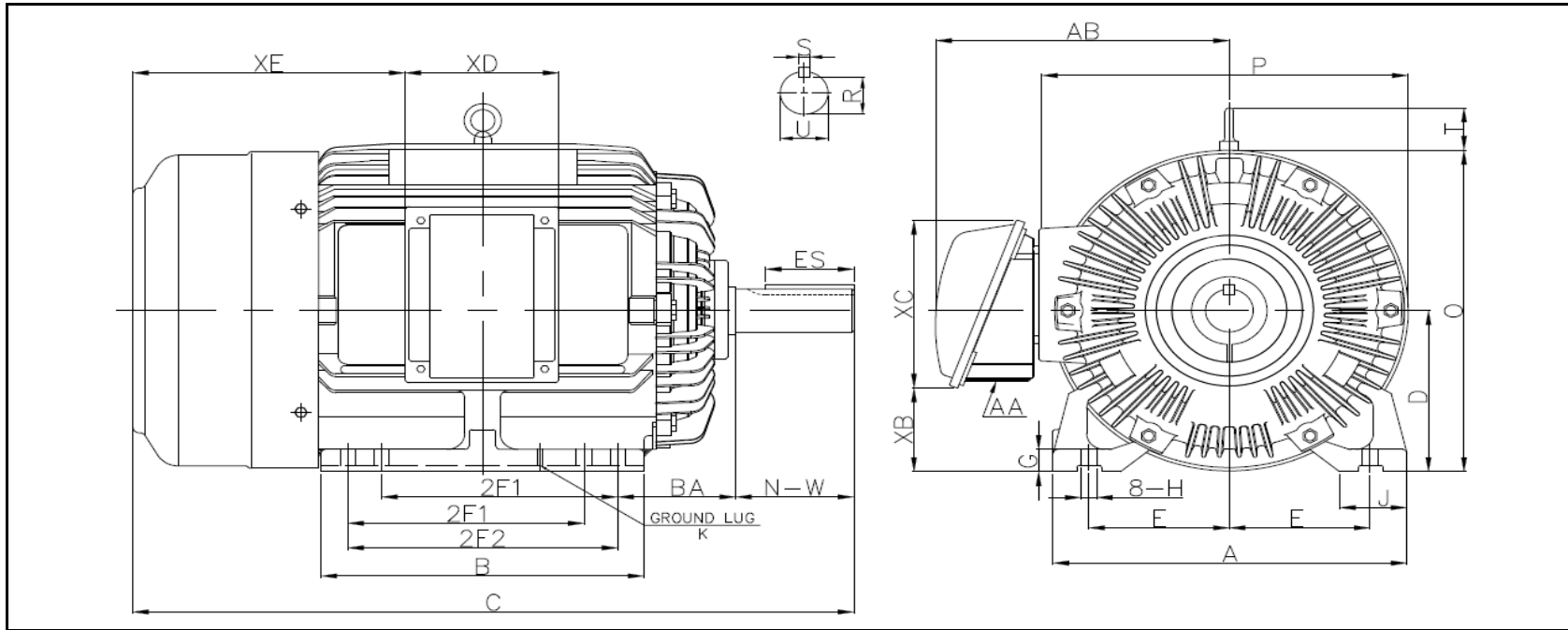




LOUIS ALLIS MOTOR DRAWING LAM-445/7TS



DIMENSIONS - INCHES

MOUNTING					A	B	C	D	G	J	P	O	T	AB
E	2F1	2F2	H	BA										
9	16.5	20	0.81	7.5	22	29	49.5	11	1.417	4.33	23.75	23.6	4.06	19.095

SHAFT & KEY				
S	ES	R	N-W	U
0.625	3.03	2.021	4.75	2.375

TERMINAL BOX				
AA	XB	XC	XD	XE
3	4.13	16.2	11.6	19.2