

# DATA SHEET

Premium Efficiency Motor: **LAM200-36-447TSC,**

**60 Hz**

WorldWide Electric Corporation

1 (800) 808-2131

Worldwideelectric.net



Document Generated: 5-Apr-2021

Document ID:

Customer:

## MOTOR INFORMATION

HP	200
RPM	3600
Phase	3
Frequency	60Hz
Voltage	208-230/460
Frame Size	447TSC
Enclosure	TEFC
Degree of Protection	IP55
Service Factor	1.25
Poles	2
Full Load Speed	3579
Insulation Class	F
Temp Rise	80°C
NEMA Code Letter	E
Duty Cycle	S1 / Continuous
Slip	0.58%
NEMA Design	B
Moment of Inertia	31.092 lb.ft.^2
Locked Rotor Time (Hot)	12 seconds
Sound Pressure Level	107 dB(A)
Number of Starts	2 Cold/1 Hot
Max Ambient Temperature	40°C
Max Elevation	1000 m.a.s.l (3300 f.a.s.l)
Mounting	F1
Rotation	Bi-Directional
Area of Classification	Class 1 Division 2 Groups A,B,C,D T3B
Inverter Rating	10:1 CT / 20:1 VT
Standard	NEMA MG-1
Approvals	UL, CE, IEEE45

## EFFICIENCY/POWER FACTOR

LOAD	EFF	P. F.
100%	95.4 %	0.91
75%	96.1 %	0.88
50%	94.7 %	0.86

## TORQUE

FULL LOAD	LRT	BDT
295 lb.ft.	172 %	259 %

## AMPERAGE INFORMATION

	230V	460V
Full Load Amps	433.8A	216.9
Locked Rotor Amps	2360A	1180A
No Load Current	74.8A	37.4A
Usable at 208V	496.7 A	

## BEARING INFORMATION

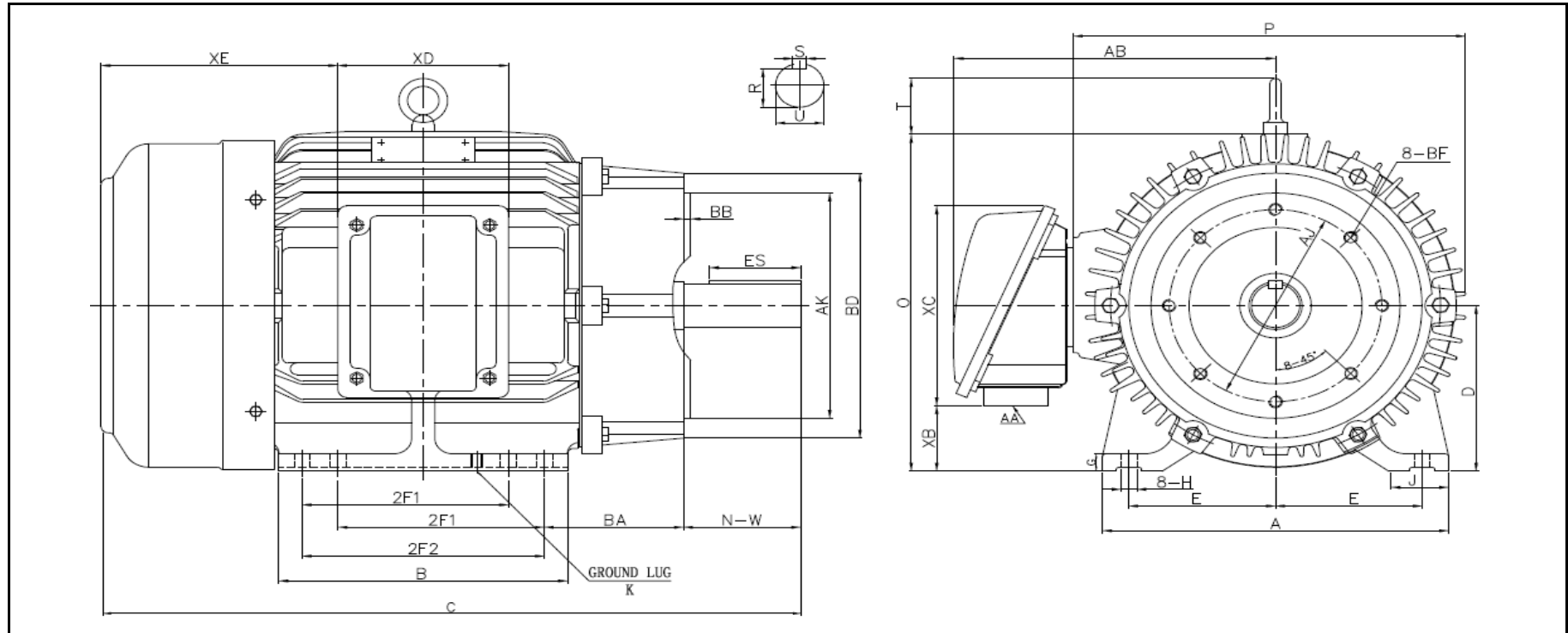
DE Bearing	6320 C3
ODE Bearing	6316 C3
Grease Type	Mobil Polyrex EM
DE Regreasing Interval	2400 Hours
ODE Regreasing Interval	3600 Hours
Grease Quantity	51g/33g

## ADDITIONAL DATA

F2 Suitable	YES
Shaft Material	AISI 1045
Connection Diagram	12 Lead Delta
Approximate Weight	lbs.



# LOUIS ALLIS MOTOR DRAWING LAM-447/9TSC



### DIMENSIONS - INCHES

MOUNTING					A	B	C	D	G	J	P	O	T	AB
E	2F1	2F2	H	BA	A	B	C	D	G	J	P	O	T	AB
9	20	25	0.81	7.5	22	29	49.5	11	1.417	4.33	23.75	23.6	4.06	19.095

SHAFT & KEY				
S	ES	R	N-W	U
0.625	3.03	2.021	4.75	2.375

TERMINAL BOX				
AA	XB	XC	XD	XE
2*3	4.13	16.2	11.6	19.2

FLANGE				
AK	BD	AJ	BF	BB
16	18	14	(8) 5/8-11	0.25

REVISED - 3/19/2021

# PERFORMANCE CURVES

WorldWide Electric Corporation

1 (800) 808-2131

Worldwideelectric.net



Premium Efficiency Motor:

**LAM200-36-447TSC**

Document Generated:	5-Apr-2021	Customer:	
Document ID:			

Motor Type	LAM		
Output Rating (HP)	200	FL Speed	3579
Full Load Torque	295 lb.ft	LRT (%FLT)	172
		460 volt FLA	216.9
Rotor Wk <sup>2</sup>	31.092 lb-ft <sup>2</sup>	BDT (%FLT)	259
		230 volt FLA	433.8A

