

DATA SHEET

Premium Efficiency Motor: **LAM25-12-324T**,

60 Hz

WorldWide Electric Corporation

1 (800) 808-2131

Worldwideelectric.net



Document Generated: 5-Apr-2021

Document ID:

Customer:

MOTOR INFORMATION

HP	25
RPM	1200
Phase	3
Frequency	60 Hz
Voltage	208-230/460
Frame Size	324/6T
Enclosure	TEFC
Degree of Protection	IP55
Service Factor	1.25
Poles	6
Full Load Speed	1178
Insulation Class	F
Temp Rise	80°C
NEMA Code Letter	G
Duty Cycle	S1 / Continuous
Slip	1.88%
NEMA Design	B
Moment of Inertia	9.049 lb.ft. ²
Locked Rotor Time (Hot)	12 seconds
Sound Pressure Level	83 dB(A)
Number of Starts	2 Cold/1 Hot
Max Ambient Temperature	40°C
Max Elevation	1000 m.a.s.l (3300 f.a.s.l)
Mounting	F1
Rotation	Bi-Directional
Area of Classification	Class 1 Division 2 Groups A,B,C,D T3B
Inverter Rating	10:1 CT / 20:1 VT
Standard	NEMA MG-1
Approvals	UL, CE, IEEE45

EFFICIENCY/POWER FACTOR

LOAD	EFF	P. F.
100%	93.0 %	0.83
75%	92.6 %	0.80
50%	91.9 %	0.71

TORQUE

FULL LOAD	LRT	BDT
110.6 lb.ft.	288 %	298 %

AMPERAGE INFORMATION

	230V	460V
Full Load Amps	60.4A	30.2
Locked Rotor Amps	393.8A	196.9A
No Load Current	22.8A	11.4A
Usable at 208V	66.8 A	

BEARING INFORMATION

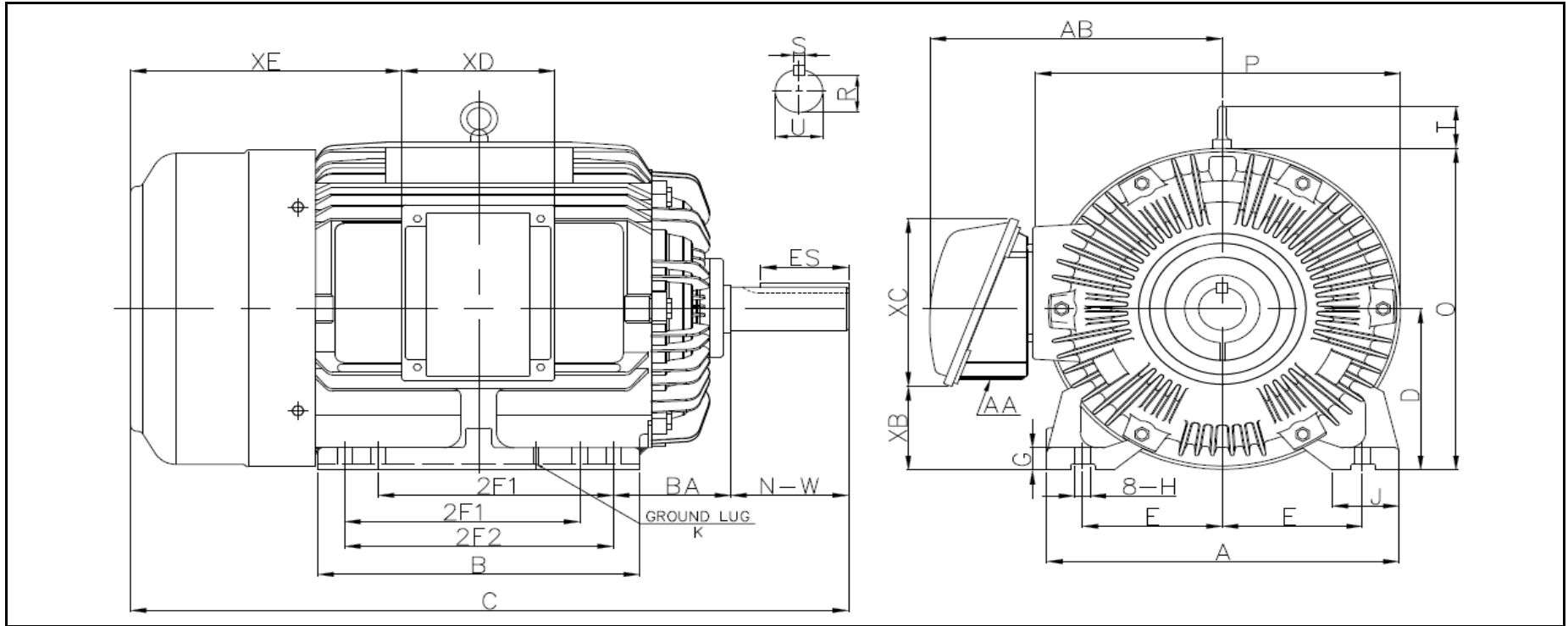
DE Bearing	6314 C3
ODE Bearing	6212 C3
Grease Type	Mobil Polyrex EM
DE Regreasing Interval	2400 Hours
ODE Regreasing Interval	3600 Hours
Grease Quantity	26g/12g

ADDITIONAL DATA

F2 Suitable	YES
Shaft Material	AISI 1045
Connection Diagram	12 Lead Delta
Approximate Weight	649 lbs.



LOUIS ALLIS MOTOR DRAWING LAM-324/6T



DIMENSIONS - INCHES

MOUNTING					A	B	C	D	G	J	P	O	T	AB
E	2F1	2F2	H	BA										
6.25	10.5	12	0.66	5.25	15.75	14.37	32.67	8	0.984	3.15	16.5	16.19	2.42	12.8

SHAFT & KEY				
S	ES	R	N-W	U
0.5	4.17	1.845	5.25	2.125

TERMINAL BOX				
AA	XB	XC	XD	XE
2	4.15	8.32	6.85	12.1

PERFORMANCE CURVES

WorldWide Electric Corporation

1 (800) 808-2131

Worldwideelectric.net



Premium Efficiency Motor:

LAM25-12-324T

Document Generated:	5-Apr-2021	Customer:	
Document ID:			

Motor Type	LAM				
Output Rating (HP)	25	FL Speed	1178		
Full Load Torque	110.6 lb.ft	LRT (%FLT)	288	460 volt FLA	30.2
Rotor Wk ²	9.049 lb-ft ²	BDT (%FLT)	298	230 volt FLA	60.4A

