

DATA SHEET

Premium Efficiency Motor: **LAM30-36-286TSC,**

60 Hz

WorldWide Electric Corporation

1 (800) 808-2131

Worldwideelectric.net



Document Generated: 5-Apr-2021

Document ID:

Customer:

MOTOR INFORMATION

HP	30
RPM	3600
Phase	3
Frequency	60Hz
Voltage	208-230/460
Frame Size	284/6TSC
Enclosure	TEFC
Degree of Protection	IP55
Service Factor	1.25
Poles	2
Full Load Speed	3562
Insulation Class	F
Temp Rise	80°C
NEMA Code Letter	G
Duty Cycle	S1 / Continuous
Slip	1.05%
NEMA Design	B
Moment of Inertia	2.525 lb.ft.^2
Locked Rotor Time (Hot)	12 seconds
Sound Pressure Level	94 dB(A)
Number of Starts	2 Cold/1 Hot
Max Ambient Temperature	40°C
Max Elevation	1000 m.a.s.l (3300 f.a.s.l)
Mounting	F1
Rotation	Bi-Directional
Area of Classification	Class 1 Division 2 Groups A,B,C,D T3B
Inverter Rating	10:1 CT / 20:1 VT
Standard	NEMA MG-1
Approvals	UL, CE, IEEE45

EFFICIENCY/POWER FACTOR

LOAD	EFF	P. F.
100%	91.7 %	0.89
75%	93.4 %	0.89
50%	92.8 %	0.85

TORQUE

FULL LOAD	LRT	BDT
43.4 lb.ft.	386 %	399 %

AMPERAGE INFORMATION

	230V	460V
Full Load Amps	66.4A	33.2
Locked Rotor Amps	470.6A	235.3A
No Load Current	13.6A	6.8A
Usable at 208V	73.4 A	

BEARING INFORMATION

DE Bearing	6311 C3
ODE Bearing	6310 C3
Grease Type	Mobil Polyrex EM
DE Regreasing Interval	2400 Hours
ODE Regreasing Interval	3600 Hours
Grease Quantity	17g/15g

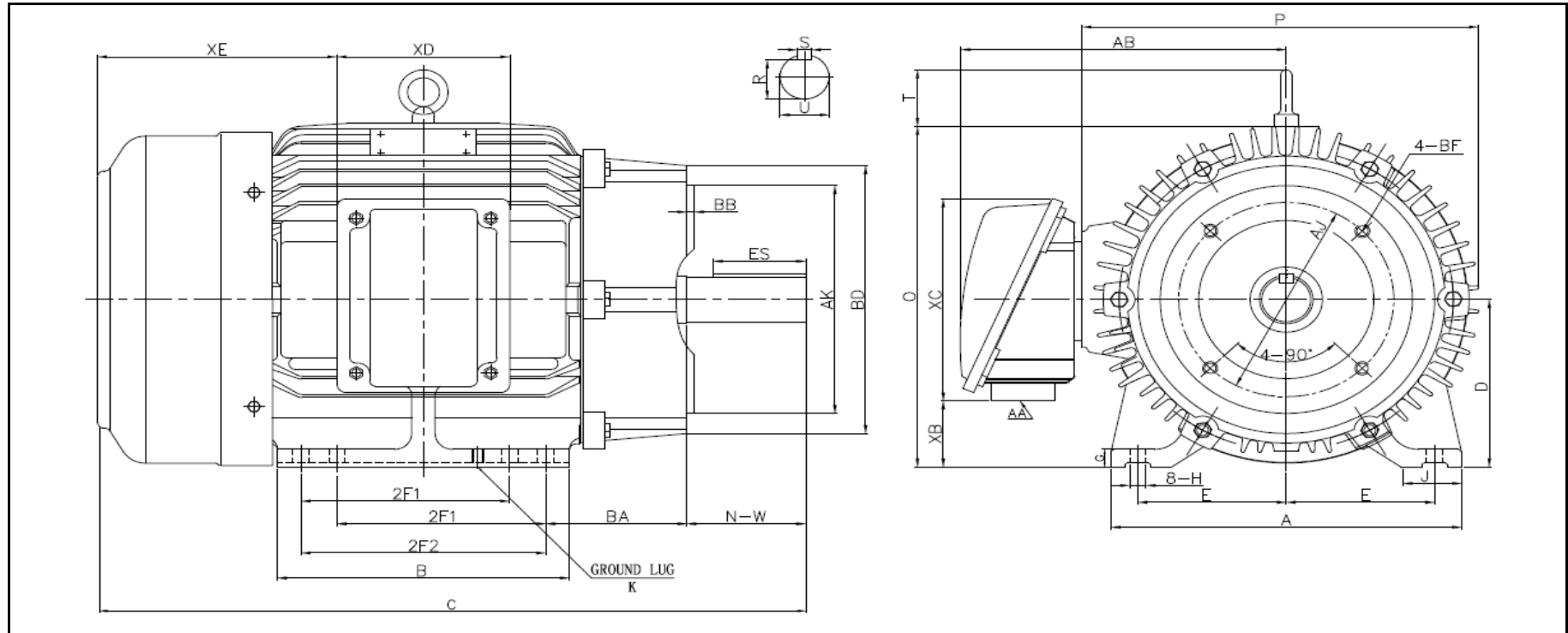
ADDITIONAL DATA

F2 Suitable	YES
Shaft Material	AISI 1045
Connection Diagram	12 Lead Delta
Approximate Weight	lbs.



LOUIS ALLIS MOTOR DRAWING

LAM-284/6TSC



DIMENSIONS - INCHES

MOUNTING					A	B	C	D	G	J	P	O	T	AB
E	2F1	2F2	H	BA										
5.5	9.5	11	0.53	4.75	13.97	13.18	27.73	7	0.7795	3.07	14.56	14.04	2.42	12.02

SHAFT & KEY				
S	ES	R	N-W	U
0.375	1.91	1.416	3.25	1.625

TERMINAL BOX				
AA	XB	XC	XD	XE
1 1/2	2.75	8.17	6.85	10.3

FLANGE				
AK	BD	AJ	BF	BB
10.5	11.25	9	(4) 1/2-13	0.25

REVISED - 3/19/2021

PERFORMANCE CURVES

WorldWide Electric Corporation

1 (800) 808-2131

Worldwideelectric.net



Premium Efficiency Motor:

LAM30-36-286TSC

Document Generated:	5-Apr-2021	Customer:	
Document ID:			

Motor Type	LAM		
Output Rating (HP)	30	FL Speed	3562
Full Load Torque	43.4 lb.ft	LRT (%FLT)	386
		460 volt FLA	33.2
Rotor Wk ²	2.525 lb-ft ²	BDT (%FLT)	399
		230 volt FLA	66.4A

