

DATA SHEET

Premium Efficiency Motor: **LAM40-12-364TC,**

60 Hz

WorldWide Electric Corporation

1 (800) 808-2131

Worldwideelectric.net



Document Generated: 5-Apr-2021

Document ID:

Customer:

MOTOR INFORMATION

HP	40
RPM	1200
Phase	3
Frequency	60 Hz
Voltage	208-230/460
Frame Size	364/5TC
Enclosure	TEFC
Degree of Protection	IP55
Service Factor	1.25
Poles	6
Full Load Speed	1185
Insulation Class	F
Temp Rise	80°C
NEMA Code Letter	G
Duty Cycle	S1 / Continuous
Slip	1.22%
NEMA Design	B
Moment of Inertia	14.428 lb.ft.^2
Locked Rotor Time (Hot)	12 seconds
Sound Pressure Level	86 dB(A)
Number of Starts	2 Cold/1 Hot
Max Ambient Temperature	40°C
Max Elevation	1000 m.a.s.l (3300 f.a.s.l)
Mounting	F1
Rotation	Bi-Directional
Area of Classification	Class 1 Division 2 Groups A,B,C,D T3B
Inverter Rating	10:1 CT / 20:1 VT
Standard	NEMA MG-1
Approvals	UL, CE, IEEE45

EFFICIENCY/POWER FACTOR

LOAD	EFF	P. F.
100%	94.1 %	0.87
75%	93.9 %	0.85
50%	93.0 %	0.77

TORQUE

FULL LOAD	LRT	BDT
178.3 lb.ft.	276 %	317 %

AMPERAGE INFORMATION

	230V	460V
Full Load Amps	92.4A	46.2
Locked Rotor Amps	607A	303.5A
No Load Current	29.2A	14.6A
Usable at 208V	102.2 A	

BEARING INFORMATION

DE Bearing	6314 C3
ODE Bearing	6212 C3
Grease Type	Mobil Polyrex EM
DE Regreasing Interval	2400 Hours
ODE Regreasing Interval	3600 Hours
Grease Quantity	26g/12g

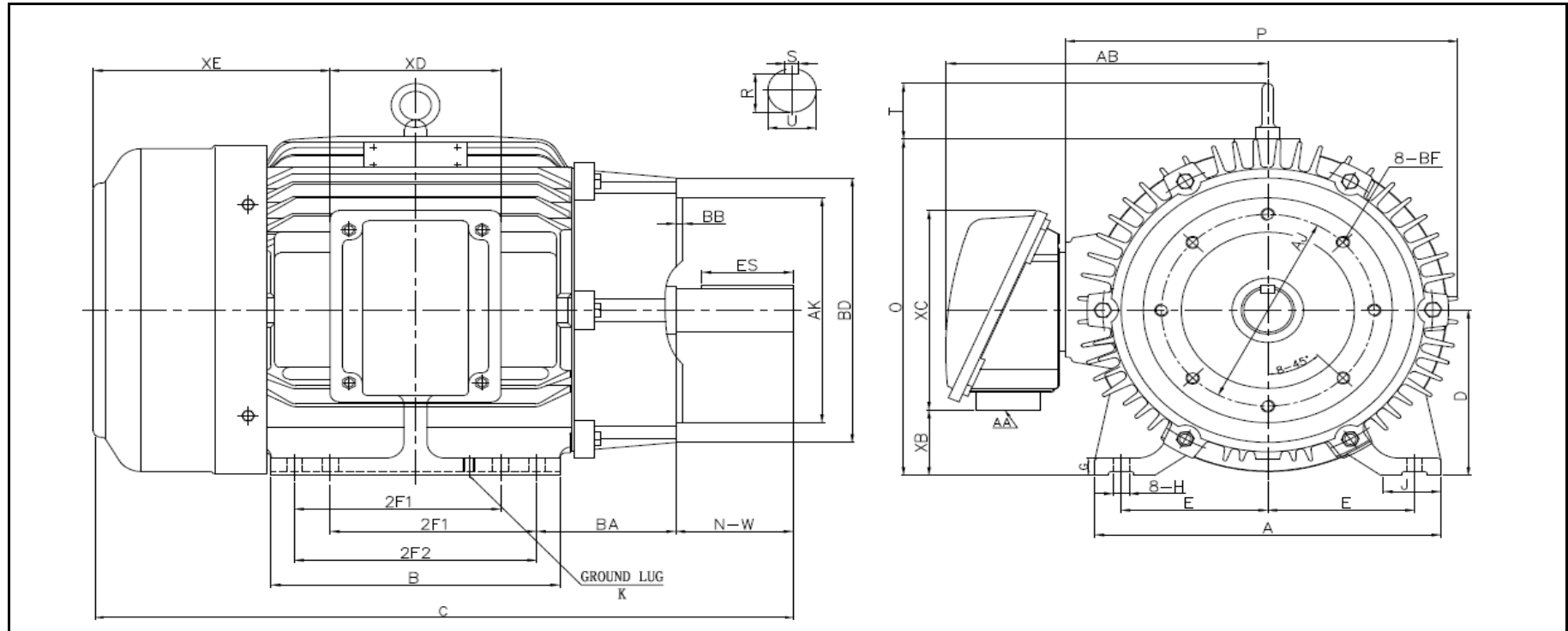
ADDITIONAL DATA

F2 Suitable	YES
Shaft Material	AISI 1045
Connection Diagram	12 Lead Delta
Approximate Weight	lbs.



LOUIS ALLIS MOTOR DRAWING

LAM-364/5TC



DIMENSIONS - INCHES

MOUNTING					A	B	C	D	G	J	P	O	T	AB
E	2F1	2F2	H	BA										
7	11.25	12.25	0.66	5.88	16.93	15.4	33.52	9	1.181	3.543	16.54	19.11	2.81	15.55

SHAFT & KEY				
S	ES	R	N-W	U
0.625	4.28	2.021	5.88	2.375

TERMINAL BOX				
AA	XB	XC	XD	XE
3	4.29	11.27	9.17	12.4

FLANGE				
AK	BD	AJ	BF	BB
12.5	14	11	(8) 5/8-11	0.25

REVISED - 3/18/2021

PERFORMANCE CURVES

WorldWide Electric Corporation

1 (800) 808-2131

Worldwideelectric.net



Premium Efficiency Motor:

LAM40-12-364TC

Document Generated:	5-Apr-2021	Customer:	
Document ID:			

Motor Type	LAM		
Output Rating (HP)	40	FL Speed	1185
Full Load Torque	178.3 lb.ft	LRT (%FLT)	276
Rotor Wk ²	14.428 lb-ft ²	BDT (%FLT)	317
		460 volt FLA	46.2
		230 volt FLA	92.4A

