

# DATA SHEET

Premium Efficiency Motor: **LAM40-18-324TC,**

**60 Hz**

WorldWide Electric Corporation

1 (800) 808-2131

Worldwideelectric.net



Document Generated: 5-Apr-2021

Document ID:

Customer:

## MOTOR INFORMATION

|                         |                                       |
|-------------------------|---------------------------------------|
| HP                      | 40                                    |
| RPM                     | 1800                                  |
| Phase                   | 3                                     |
| Frequency               | 60Hz                                  |
| Voltage                 | 208-230/460                           |
| Frame Size              | 324/6TC                               |
| Enclosure               | TEFC                                  |
| Degree of Protection    | IP55                                  |
| Service Factor          | 1.25                                  |
| Poles                   | 4                                     |
| Full Load Speed         | 1780                                  |
| Insulation Class        | F                                     |
| Temp Rise               | 80°C                                  |
| NEMA Code Letter        | G                                     |
| Duty Cycle              | S1 / Continuous                       |
| Slip                    | 1.16%                                 |
| NEMA Design             | B                                     |
| Moment of Inertia       | 8.99 lb.ft.^2                         |
| Locked Rotor Time (Hot) | 12 seconds                            |
| Sound Pressure Level    | 89 dB(A)                              |
| Number of Starts        | 2 Cold/1 Hot                          |
| Max Ambient Temperature | 40°C                                  |
| Max Elevation           | 1000 m.a.s.l (3300 f.a.s.l)           |
| Mounting                | F1                                    |
| Rotation                | Bi-Directional                        |
| Area of Classification  | Class 1 Division 2 Groups A,B,C,D T3B |
| Inverter Rating         | 10:1 CT / 20:1 VT                     |
| Standard                | NEMA MG-1                             |
| Approvals               | UL, CE, IEEE45                        |

## EFFICIENCY/POWER FACTOR

| LOAD | EFF    | P. F. |
|------|--------|-------|
| 100% | 94.1 % | 0.84  |
| 75%  | 94.6 % | 0.80  |
| 50%  | 94.2 % | 0.71  |

## TORQUE

| FULL LOAD    | LRT   | BDT   |
|--------------|-------|-------|
| 118.8 lb.ft. | 292 % | 328 % |

## AMPERAGE INFORMATION

|                   | 230V    | 460V   |
|-------------------|---------|--------|
| Full Load Amps    | 95.2A   | 47.6   |
| Locked Rotor Amps | 625A    | 312.5A |
| No Load Current   | 35.4A   | 17.7A  |
| Usable at 208V    | 105.3 A |        |

## BEARING INFORMATION

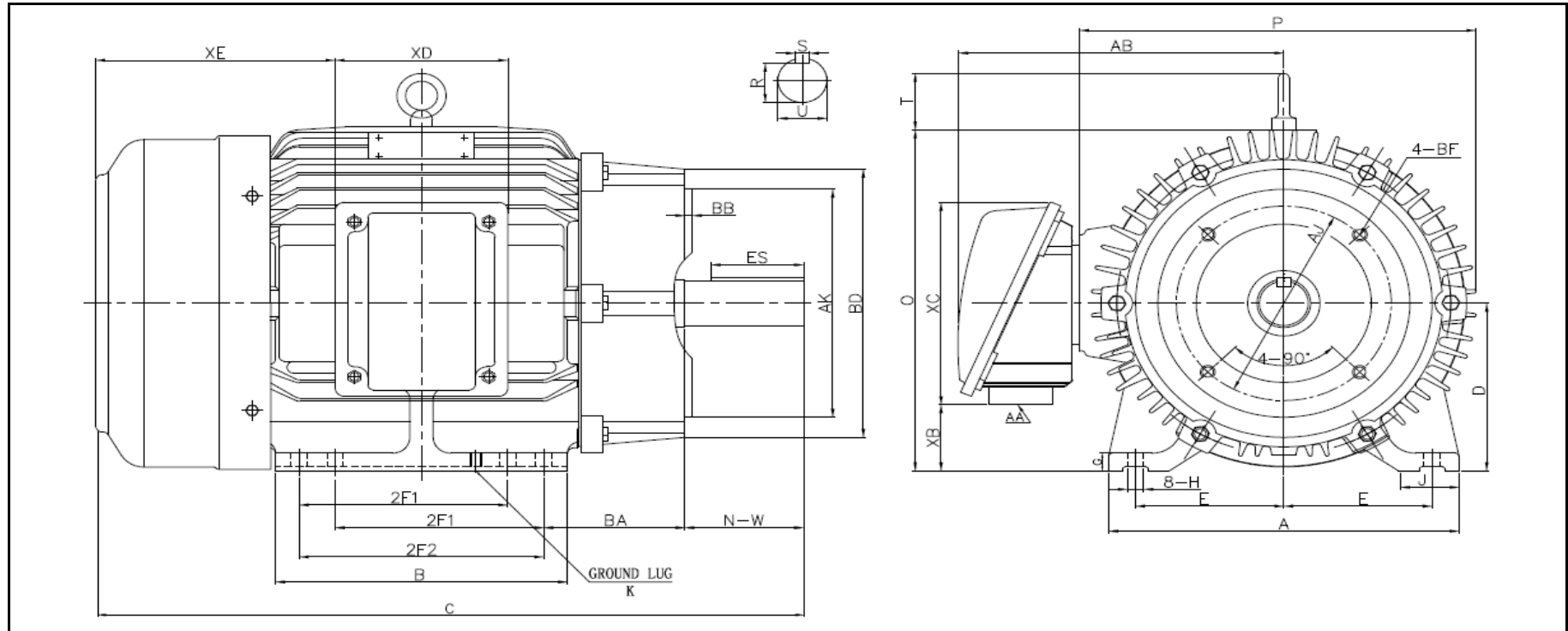
|                         |                  |
|-------------------------|------------------|
| DE Bearing              | 6314 C3          |
| ODE Bearing             | 6212 C3          |
| Grease Type             | Mobil Polyrex EM |
| DE Regreasing Interval  | 2400 Hours       |
| ODE Regreasing Interval | 3600 Hours       |
| Grease Quantity         | 26g/12g          |

## ADDITIONAL DATA

|                    |               |
|--------------------|---------------|
| F2 Suitable        | YES           |
| Shaft Material     | AISI 1045     |
| Connection Diagram | 12 Lead Delta |
| Approximate Weight | lbs.          |



# LOUIS ALLIS MOTOR DRAWING LAM-324/6TC



### DIMENSIONS - INCHES

| MOUNTING |      |     |      |      | A     | B     | C     | D | G     | J    | P    | O     | T    | AB   |
|----------|------|-----|------|------|-------|-------|-------|---|-------|------|------|-------|------|------|
| E        | 2F1  | 2F2 | H    | BA   |       |       |       |   |       |      |      |       |      |      |
| 6.25     | 10.5 | 12  | 0.66 | 5.25 | 15.75 | 14.37 | 32.67 | 8 | 0.984 | 3.15 | 16.5 | 16.19 | 2.42 | 12.8 |

| SHAFT & KEY |      |       |      |       |
|-------------|------|-------|------|-------|
| S           | ES   | R     | N-W  | U     |
| 0.5         | 3.91 | 1.845 | 5.25 | 2.125 |

| TERMINAL BOX |      |      |      |      |
|--------------|------|------|------|------|
| AA           | XB   | XC   | XD   | XE   |
| 2            | 4.15 | 8.32 | 6.85 | 12.1 |

| FLANGE |    |    |            |      |
|--------|----|----|------------|------|
| AK     | BD | AJ | BF         | BB   |
| 12.5   | 14 | 11 | (4) 5/8-11 | 0.25 |

REVISED - 3/18/2021

# PERFORMANCE CURVES

WorldWide Electric Corporation

1 (800) 808-2131

Worldwideelectric.net



Premium Efficiency Motor:

**LAM40-18-324TC**

|                     |            |           |  |
|---------------------|------------|-----------|--|
| Document Generated: | 5-Apr-2021 | Customer: |  |
| Document ID:        |            |           |  |

|                       |                         |              |       |
|-----------------------|-------------------------|--------------|-------|
| Motor Type            | LAM                     |              |       |
| Output Rating (HP)    | 40                      | FL Speed     | 1780  |
| Full Load Torque      | 118.8 lb.ft             | LRT (%FLT)   | 292   |
|                       |                         | 460 volt FLA | 47.6  |
| Rotor Wk <sup>2</sup> | 8.99 lb-ft <sup>2</sup> | BDT (%FLT)   | 328   |
|                       |                         | 230 volt FLA | 95.2A |

