

# DATA SHEET

Premium Efficiency Motor: **LAM5-12-215TC,**

**60 Hz**

WorldWide Electric Corporation

1 (800) 808-2131

Worldwideelectric.net



Document Generated: 5-Apr-2021

Document ID:

Customer:

## MOTOR INFORMATION

HP	5
RPM	1200
Phase	3
Frequency	60 Hz
Voltage	208-230/460
Frame Size	213/5TC
Enclosure	TEFC
Degree of Protection	IP55
Service Factor	1.25
Poles	6
Full Load Speed	1173
Insulation Class	F
Temp Rise	80°C
NEMA Code Letter	J
Duty Cycle	S1 / Continuous
Slip	2.20%
NEMA Design	B
Moment of Inertia	1.031 lb.ft. <sup>2</sup>
Locked Rotor Time (Hot)	12 seconds
Sound Pressure Level	71 dB(A)
Number of Starts	2 Cold/1 Hot
Max Ambient Temperature	40°C
Max Elevation	1000 m.a.s.l (3300 f.a.s.l)
Mounting	F1
Rotation	Bi-Directional
Area of Classification	Class 1 Division 2 Groups A,B,C,D T3B
Inverter Rating	10:1 CT / 20:1 VT
Standard	NEMA MG-1
Approvals	UL, CE, IEEE45

## EFFICIENCY/POWER FACTOR

LOAD	EFF	P. F.
100%	89.5 %	0.76
75%	90.9 %	0.70
50%	89.9 %	0.58

## TORQUE

FULL LOAD	LRT	BDT
22.2 lb.ft.	248 %	324 %

## AMPERAGE INFORMATION

	230V	460V
Full Load Amps	13.4A	6.7
Locked Rotor Amps	91.6A	45.8A
No Load Current	6.8A	3.4A
Usable at 208V	14.8 A	

## BEARING INFORMATION

DE Bearing	6308 ZZ
ODE Bearing	6306 ZZ
Grease Type	NSK SN7
DE Regreasing Interval	-- Hours
ODE Regreasing Interval	-- Hours
Grease Quantity	--

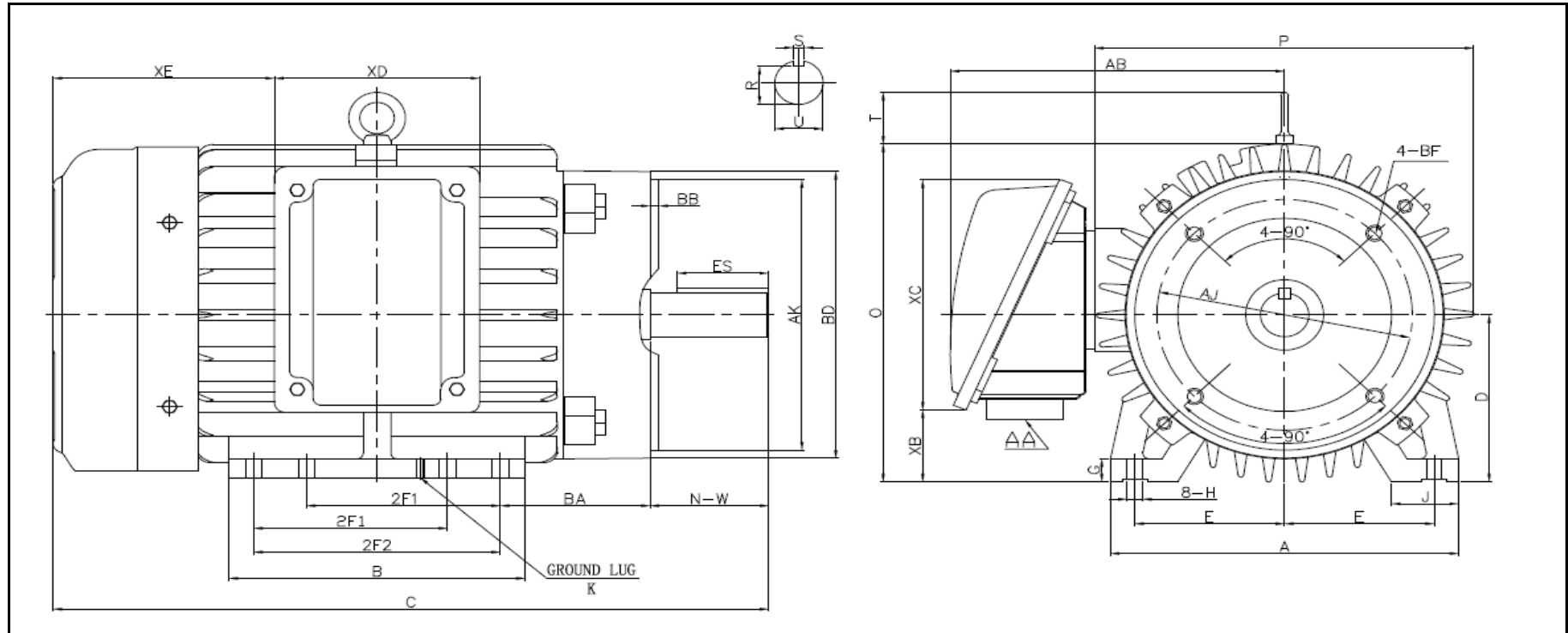
## ADDITIONAL DATA

F2 Suitable	YES
Shaft Material	AISI 1045
Connection Diagram	9 Lead Wye
Approximate Weight	lbs.



# LOUIS ALLIS MOTOR DRAWING

## LAM-213/5TC



### DIMENSIONS - INCHES

MOUNTING					A	B	C	D	G	J	P	O	T	AB
E	2F1	2F2	H	BA										
4.25	5.5	7	0.43	3.5	9.88	8.405	20.27	5.25	0.708	1.91	10.8	10.53	1.72	9.8

SHAFT & KEY				
S	ES	R	N-W	U
0.31	2.41	1.201	3.38	1.375

TERMINAL BOX				
AA	XB	XC	XD	XE
1	2.25	7.2	5.8	5.9

FLANGE				
AK	BD	AJ	BF	BB
8.5	9	7.25	(4) 1/2-13	0.25

REVISED - 3/18/2021

# PERFORMANCE CURVES

WorldWide Electric Corporation

1 (800) 808-2131

Worldwideelectric.net



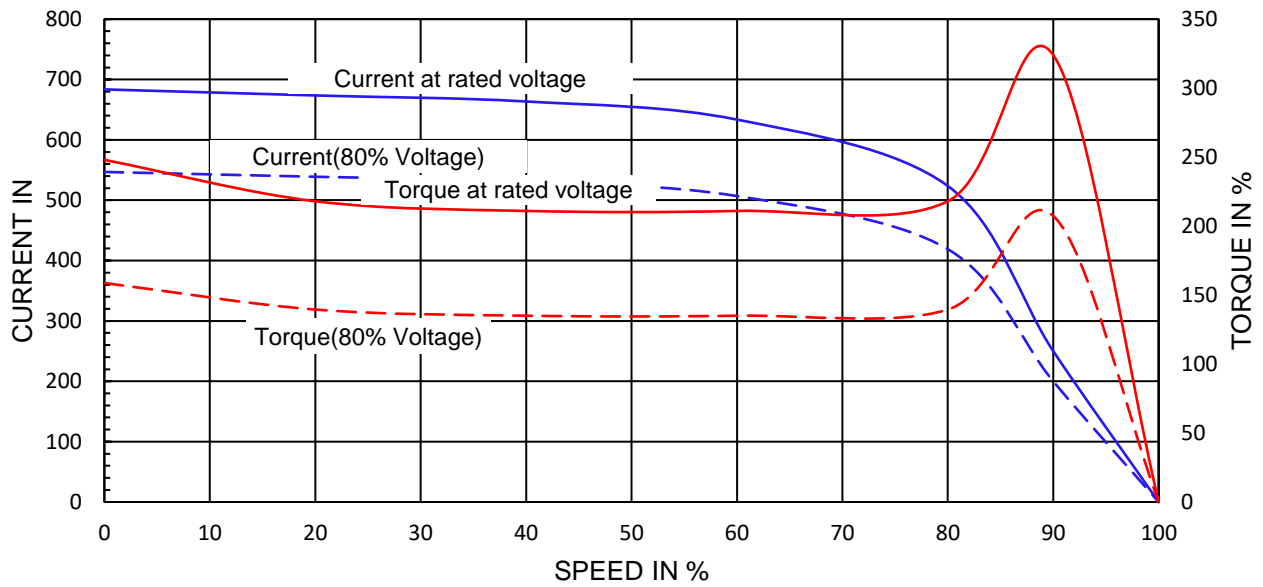
Premium Efficiency Motor:

**LAM5-12-215TC**

Document Generated:	5-Apr-2021	Customer:	
Document ID:			

Motor Type	LAM		
Output Rating (HP)	5	FL Speed	1173
Full Load Torque	22.2 lb.ft	LRT (%FLT)	248
		460 volt FLA	6.7
Rotor Wk <sup>2</sup>	1.031 lb-ft <sup>2</sup>	BDT (%FLT)	324
		230 volt FLA	13.4A

SPEED VS TORQUE & CURRENT CURVE



OUTPUT VS EFF., P.F. & CURRENT CURVE

