

# DATA SHEET

Premium Efficiency Motor: **LAM5-36-184TC,**

**60 Hz**

WorldWide Electric Corporation

1 (800) 808-2131

Worldwideelectric.net



Document Generated: 5-Apr-2021

Document ID:

Customer:

## MOTOR INFORMATION

HP	5
RPM	3600
Phase	3
Frequency	60 Hz
Voltage	208-230/460
Frame Size	182/4TC
Enclosure	TEFC
Degree of Protection	IP55
Service Factor	1.25
Poles	2
Full Load Speed	3531
Insulation Class	F
Temp Rise	80°C
NEMA Code Letter	J
Duty Cycle	S1 / Continuous
Slip	1.91%
NEMA Design	B
Moment of Inertia	0.203 lb.ft. <sup>2</sup>
Locked Rotor Time (Hot)	12 seconds
Sound Pressure Level	88 dB(A)
Number of Starts	2 Cold/1 Hot
Max Ambient Temperature	40°C
Max Elevation	1000 m.a.s.l (3300 f.a.s.l)
Mounting	F1
Rotation	Bi-Directional
Area of Classification	Class 1 Division 2 Groups A,B,C,D T3B
Inverter Rating	10:1 CT / 20:1 VT
Standard	NEMA MG-1
Approvals	UL, CE, IEEE45

## EFFICIENCY/POWER FACTOR

LOAD	EFF	P. F.
100%	88.5 %	0.89
75%	89.1 %	0.85
50%	87.5 %	0.77

## TORQUE

FULL LOAD	LRT	BDT
7.3 lb.ft.	496 %	638 %

## AMPERAGE INFORMATION

	230V	460V
Full Load Amps	11.8A	5.9
Locked Rotor Amps	91.2A	45.6A
No Load Current	4A	2A
Usable at 208V	13 A	

## BEARING INFORMATION

DE Bearing	6306 ZZ
ODE Bearing	6305 ZZ
Grease Type	NSK SN7
DE Regreasing Interval	-- Hours
ODE Regreasing Interval	-- Hours
Grease Quantity	--

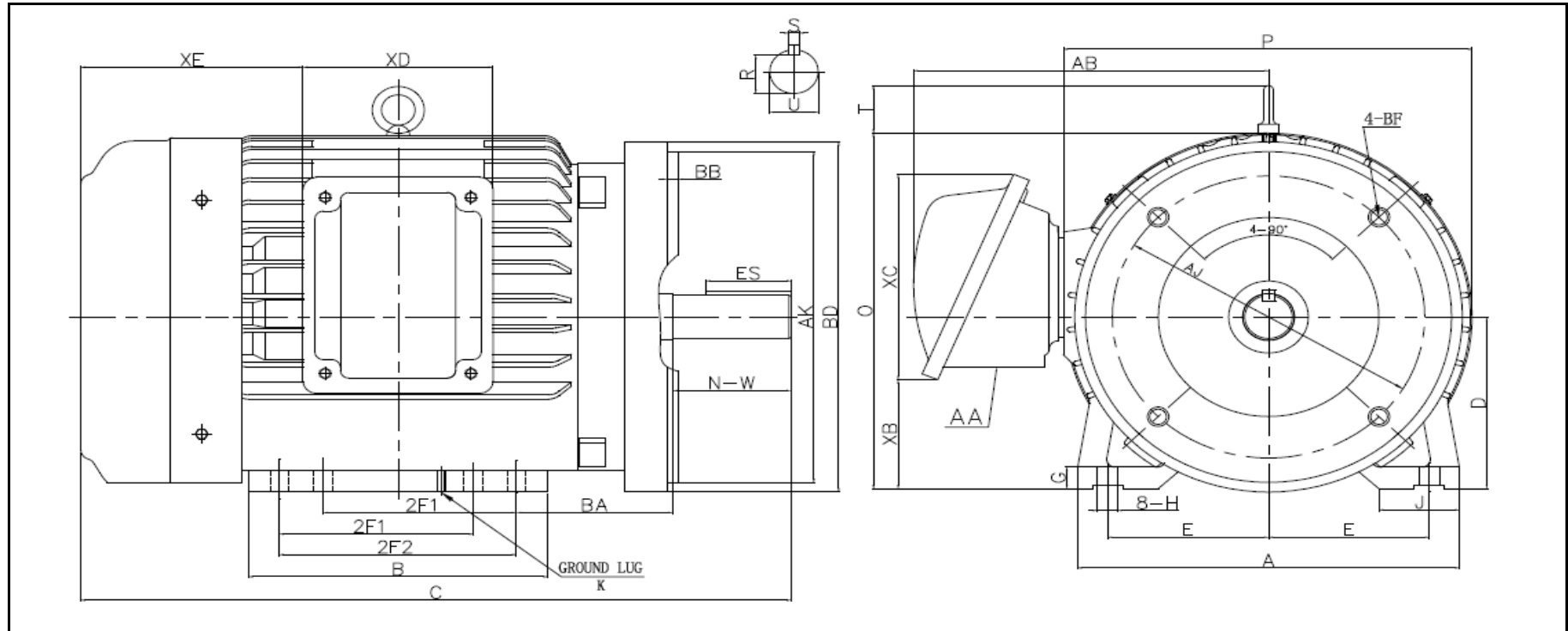
## ADDITIONAL DATA

F2 Suitable	YES
Shaft Material	AISI 1045
Connection Diagram	9 Lead Wye
Approximate Weight	lbs.



# LOUIS ALLIS MOTOR DRAWING

## LAM-182/4TC



### DIMENSIONS - INCHES

MOUNTING					A	B	C	D	G	J	P	O	T	AB
E	2F1	2F2	H	BA										
3.75	4.5	5.5	0.41	2.75	8.82	6.93	15.8	4.5	0.64	1.77	9.37	9.17	1.4	7.5

SHAFT & KEY				
S	ES	R	N-W	U
0.25	1.78	0.986	2.75	1.125

TERMINAL BOX				
AA	XB	XC	XD	XE
3/4	2.45	5.2	4.4	4.9

FLANGE				
AK	BD	AJ	BF	BB
8.5	9	7.25	(4) 1/2-13	0.25

REVISED - 3/18/2021

# PERFORMANCE CURVES

WorldWide Electric Corporation

1 (800) 808-2131

Worldwideelectric.net



Premium Efficiency Motor:

**LAM5-36-184TC**

Document Generated:	5-Apr-2021	Customer:	
Document ID:			

Motor Type	LAM		
Output Rating (HP)	5	FL Speed	3531
Full Load Torque	7.3 lb.ft	LRT (%FLT)	496
		460 volt FLA	5.9
Rotor Wk <sup>2</sup>	0.203 lb-ft <sup>2</sup>	BDT (%FLT)	638
		230 volt FLA	11.8A

