

DATA SHEET

Premium Efficiency Motor: **LAM50-12-365T**,

60 Hz

WorldWide Electric Corporation

1 (800) 808-2131

Worldwideelectric.net



Document Generated: 5-Apr-2021

Document ID:

Customer:

MOTOR INFORMATION

HP	50
RPM	1200
Phase	3
Frequency	60 Hz
Voltage	208-230/460
Frame Size	364/5T
Enclosure	TEFC
Degree of Protection	IP55
Service Factor	1.25
Poles	6
Full Load Speed	1179
Insulation Class	F
Temp Rise	80°C
NEMA Code Letter	G
Duty Cycle	S1 / Continuous
Slip	1.77%
NEMA Design	B
Moment of Inertia	26.986 lb.ft.^2
Locked Rotor Time (Hot)	12 seconds
Sound Pressure Level	86 dB(A)
Number of Starts	2 Cold/1 Hot
Max Ambient Temperature	40°C
Max Elevation	1000 m.a.s.l (3300 f.a.s.l)
Mounting	F1
Rotation	Bi-Directional
Area of Classification	Class 1 Division 2 Groups A,B,C,D T3B
Inverter Rating	10:1 CT / 20:1 VT
Standard	NEMA MG-1
Approvals	UL, CE, IEEE45

EFFICIENCY/POWER FACTOR

LOAD	EFF	P. F.
100%	94.1 %	0.85
75%	94.2 %	0.81
50%	93.8 %	0.72

TORQUE

FULL LOAD	LRT	BDT
221.2 lb.ft.	267 %	296 %

AMPERAGE INFORMATION

	230V	460V
Full Load Amps	116.6A	58.3
Locked Rotor Amps	746.6A	373.3A
No Load Current	44.4A	22.2A
Usable at 208V	128.9 A	

BEARING INFORMATION

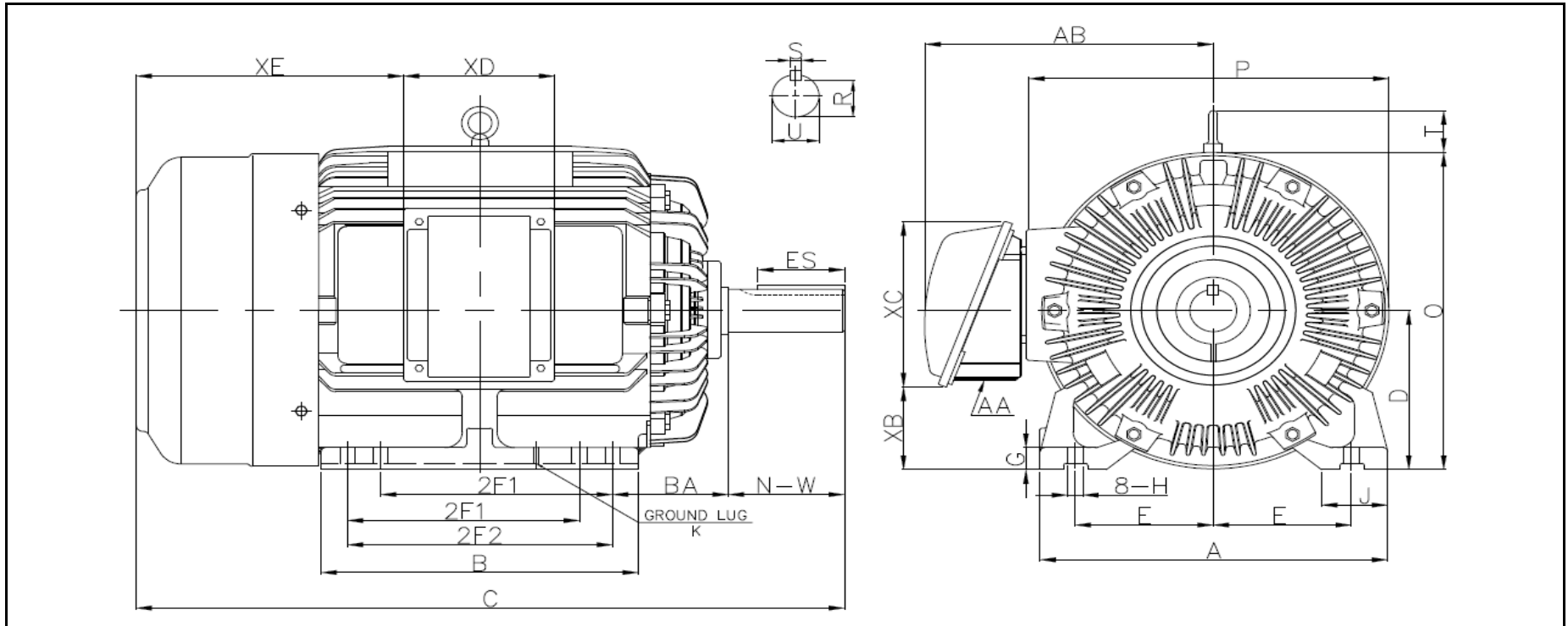
DE Bearing	6316 C3
ODE Bearing	6313 C3
Grease Type	Mobil Polyrex EM
DE Regreasing Interval	2400 Hours
ODE Regreasing Interval	3600 Hours
Grease Quantity	33g/23g

ADDITIONAL DATA

F2 Suitable	YES
Shaft Material	AISI 1045
Connection Diagram	12 Lead Delta
Approximate Weight	1038.4 lbs.



LOUIS ALLIS MOTOR DRAWING LAM-364/5T



DIMENSIONS - INCHES

MOUNTING					A	B	C	D	G	J	P	O	T	AB
E	2F1	2F2	H	BA										
7	11.25	12.25	0.66	5.88	16.93	15.4	33.52	9	1.181	3.543	16.54	19.11	2.81	15.55

SHAFT & KEY				
S	ES	R	N-W	U
0.625	4.28	2.021	5.88	2.375

TERMINAL BOX				
AA	XB	XC	XD	XE
3	4.29	11.27	9.17	12.4

PERFORMANCE CURVES

WorldWide Electric Corporation

1 (800) 808-2131

Worldwideelectric.net



Premium Efficiency Motor:

LAM50-12-365T

Document Generated:	5-Apr-2021	Customer:	
Document ID:			

Motor Type	LAM		
Output Rating (HP)	50	FL Speed	1179
Full Load Torque	221.2 lb.ft	LRT (%FLT)	267
		460 volt FLA	58.3
Rotor Wk ²	26.986 lb-ft ²	BDT (%FLT)	296
		230 volt FLA	116.6A

