

# DATA SHEET

Premium Efficiency Motor: **LAM50-18-326T**,

**60 Hz**

WorldWide Electric Corporation

1 (800) 808-2131

Worldwideelectric.net



Document Generated: 5-Apr-2021

Document ID:

Customer:

## MOTOR INFORMATION

HP	50
RPM	1800
Phase	3
Frequency	60 Hz
Voltage	208-230/460
Frame Size	324/6T
Enclosure	TEFC
Degree of Protection	IP55
Service Factor	1.25
Poles	4
Full Load Speed	1778
Insulation Class	F
Temp Rise	80°C
NEMA Code Letter	G
Duty Cycle	S1 / Continuous
Slip	1.24%
NEMA Design	B
Moment of Inertia	10.429 lb.ft.^2
Locked Rotor Time (Hot)	12 seconds
Sound Pressure Level	89 dB(A)
Number of Starts	2 Cold/1 Hot
Max Ambient Temperature	40°C
Max Elevation	1000 m.a.s.l (3300 f.a.s.l)
Mounting	F1
Rotation	Bi-Directional
Area of Classification	Class 1 Division 2 Groups A,B,C,D T3B
Inverter Rating	10:1 CT / 20:1 VT
Standard	NEMA MG-1
Approvals	UL, CE, IEEE45

## EFFICIENCY/POWER FACTOR

LOAD	EFF	P. F.
100%	94.5 %	0.84
75%	95.1 %	0.81
50%	94.8 %	0.73

## TORQUE

FULL LOAD	LRT	BDT
147 lb.ft.	287 %	291 %

## AMPERAGE INFORMATION

	230V	460V
Full Load Amps	116.4A	58.2
Locked Rotor Amps	721.8A	360.9A
No Load Current	40.8A	20.4A
Usable at 208V	128.7 A	

## BEARING INFORMATION

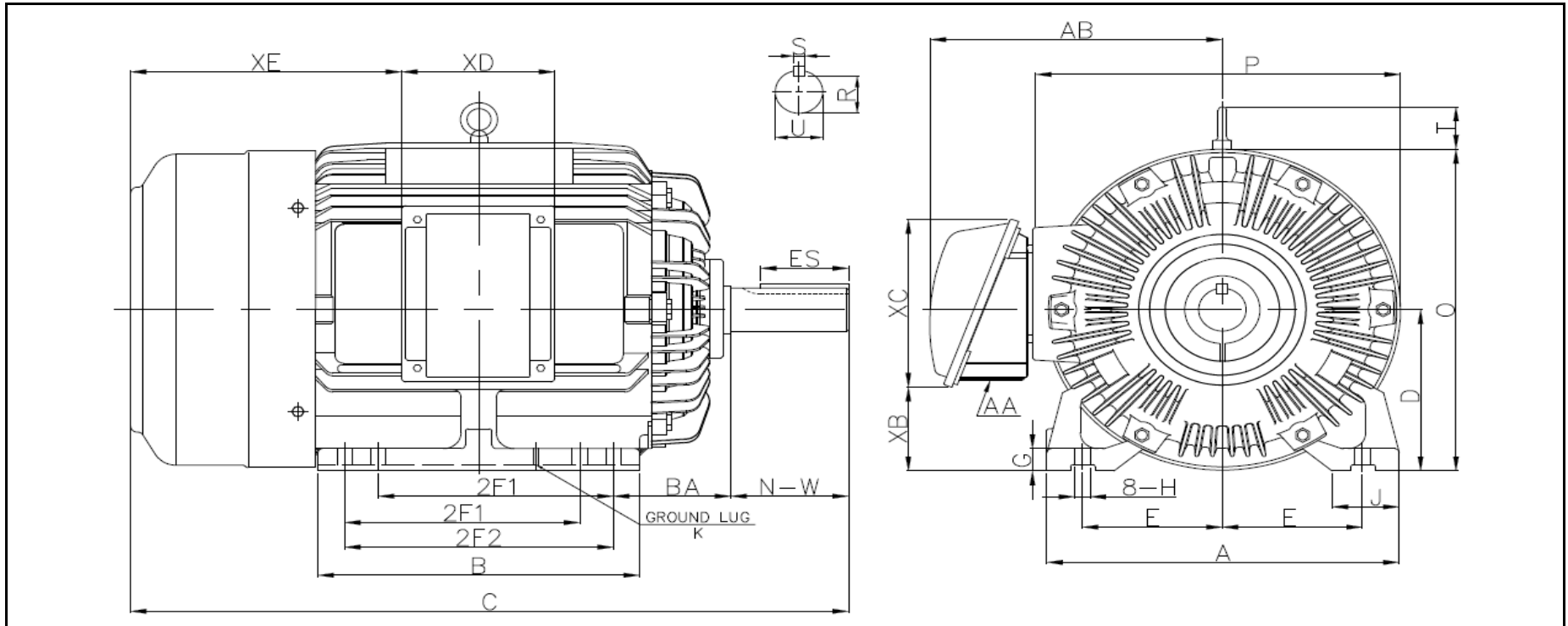
DE Bearing	6314 C3
ODE Bearing	6212 C3
Grease Type	Mobil Polyrex EM
DE Regreasing Interval	2400 Hours
ODE Regreasing Interval	3600 Hours
Grease Quantity	26g/12g

## ADDITIONAL DATA

F2 Suitable	YES
Shaft Material	AISI 1045
Connection Diagram	12 Lead Delta
Approximate Weight	632.5 lbs.



# LOUIS ALLIS MOTOR DRAWING LAM-324/6T



**DIMENSIONS - INCHES**

MOUNTING					A	B	C	D	G	J	P	O	T	AB
E	2F1	2F2	H	BA										
6.25	10.5	12	0.66	5.25	15.75	14.37	32.67	8	0.984	3.15	16.5	16.19	2.42	12.8

SHAFT & KEY				
S	ES	R	N-W	U
0.5	4.17	1.845	5.25	2.125

TERMINAL BOX				
AA	XB	XC	XD	XE
2	4.15	8.32	6.85	12.1

# PERFORMANCE CURVES

WorldWide Electric Corporation

1 (800) 808-2131

Worldwideelectric.net



Premium Efficiency Motor:

**LAM50-18-326T**

Document Generated:	5-Apr-2021	Customer:	
Document ID:			

Motor Type	LAM		
Output Rating (HP)	50	FL Speed	1778
Full Load Torque	147 lb.ft	LRT (%FLT)	287
		460 volt FLA	58.2
Rotor Wk <sup>2</sup>	10.429 lb-ft <sup>2</sup>	BDT (%FLT)	291
		230 volt FLA	116.4A

