

DATA SHEET

Premium Efficiency Motor: **LAM50-18-326TC,**

60 Hz

WorldWide Electric Corporation

1 (800) 808-2131

Worldwideelectric.net



Document Generated: 25-Jan-2022

Document ID:

Customer:

MOTOR INFORMATION

HP	50
RPM	1800
Phase	3
Frequency	60 Hz
Voltage	208-230/460
Frame Size	324/6TC
Enclosure	TEFC
Degree of Protection	IP55
Service Factor	1.25
Poles	4
Full Load Speed	1778
Insulation Class	F
Temp Rise	80°C
NEMA Code Letter	G
Duty Cycle	S1 / Continuous
Slip	1.24%
NEMA Design	B
Moment of Inertia	10.429 lb.ft.^2
Locked Rotor Time (Hot)	12 seconds
Sound Pressure Level	89 dB(A)
Number of Starts	2 Cold/1 Hot
Max Ambient Temperature	40°C
Max Elevation	1000 m.a.s.l (3300 f.a.s.l)
Mounting	F1
Rotation	Bi-Directional
Area of Classification	Class 1 Division 2 Groups A,B,C,D T3B
Inverter Rating	10:1 CT / 20:1 VT
Standard	NEMA MG-1
Approvals	UL, CE, IEEE45

EFFICIENCY/POWER FACTOR

LOAD	EFF	P. F.
100%	94.5 %	0.84
75%	95.1 %	0.81
50%	94.8 %	0.73

TORQUE

FULL LOAD	LRT	BDT
147 lb.ft.	287 %	291 %

AMPERAGE INFORMATION

	230V	460V
Full Load Amps	116.4A	58.2
Locked Rotor Amps	721.8A	360.9A
No Load Current	40.8A	20.4A
Usable at 208V	128.7 A	

BEARING INFORMATION

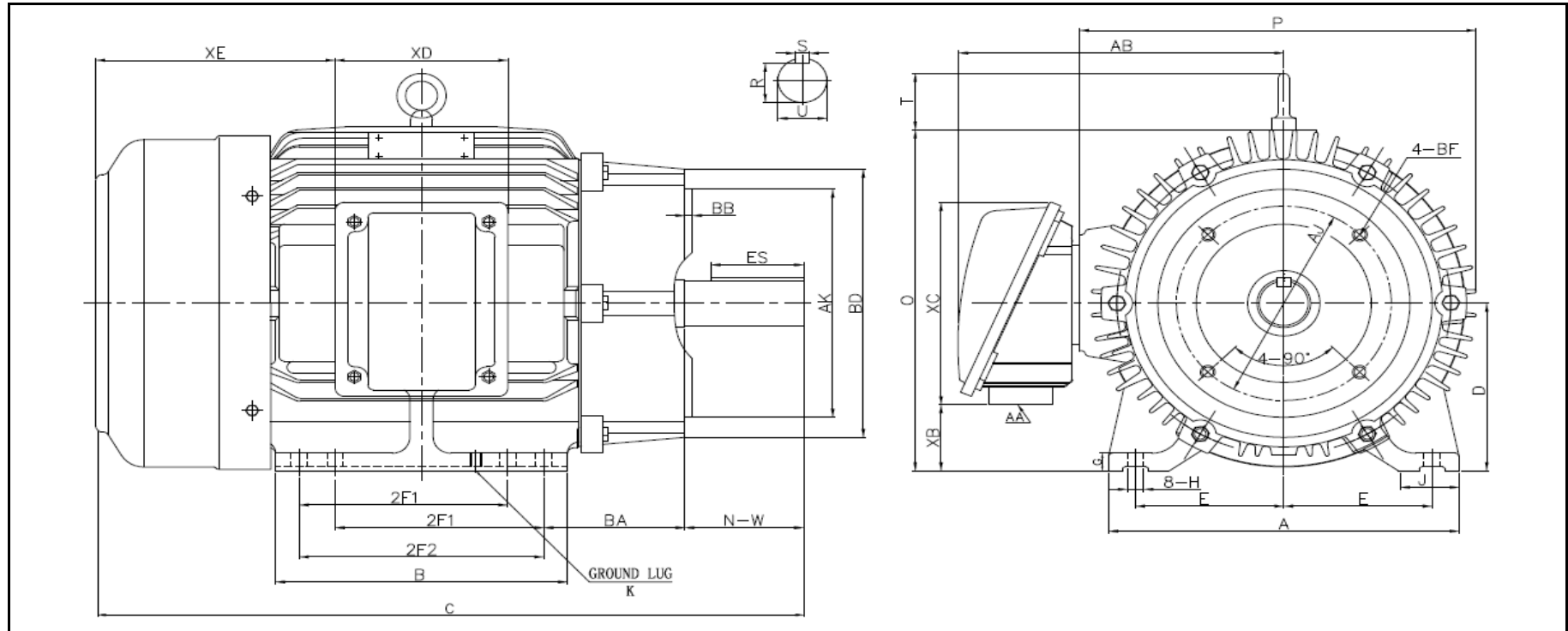
DE Bearing	6314 C3
ODE Bearing	6212 C3
Grease Type	Mobil Polyrex EM
DE Regreasing Interval	2400 Hours
ODE Regreasing Interval	3600 Hours
Grease Quantity	26g/12g

ADDITIONAL DATA

F2 Suitable	YES
Shaft Material	AISI 1045
Connection Diagram	12 Lead Delta
Approximate Weight	lbs.



LOUIS ALLIS MOTOR DRAWING LAM-324/6TC



DIMENSIONS - INCHES

MOUNTING					A	B	C	D	G	J	P	O	T	AB
E	2F1	2F2	H	BA										
6.25	10.5	12	0.66	5.25	15.75	14.37	32.67	8	0.984	3.15	16.5	16.19	2.42	12.8

SHAFT & KEY				
S	ES	R	N-W	U
0.5	3.91	1.845	5.25	2.125

TERMINAL BOX				
AA	XB	XC	XD	XE
2	4.15	8.32	6.85	12.1

FLANGE				
AK	BD	AJ	BF	BB
12.5	14	11	(4) 5/8-11	0.25

REVISED - 3/18/2021

PERFORMANCE CURVES

WorldWide Electric Corporation

1 (800) 808-2131

Worldwideelectric.net



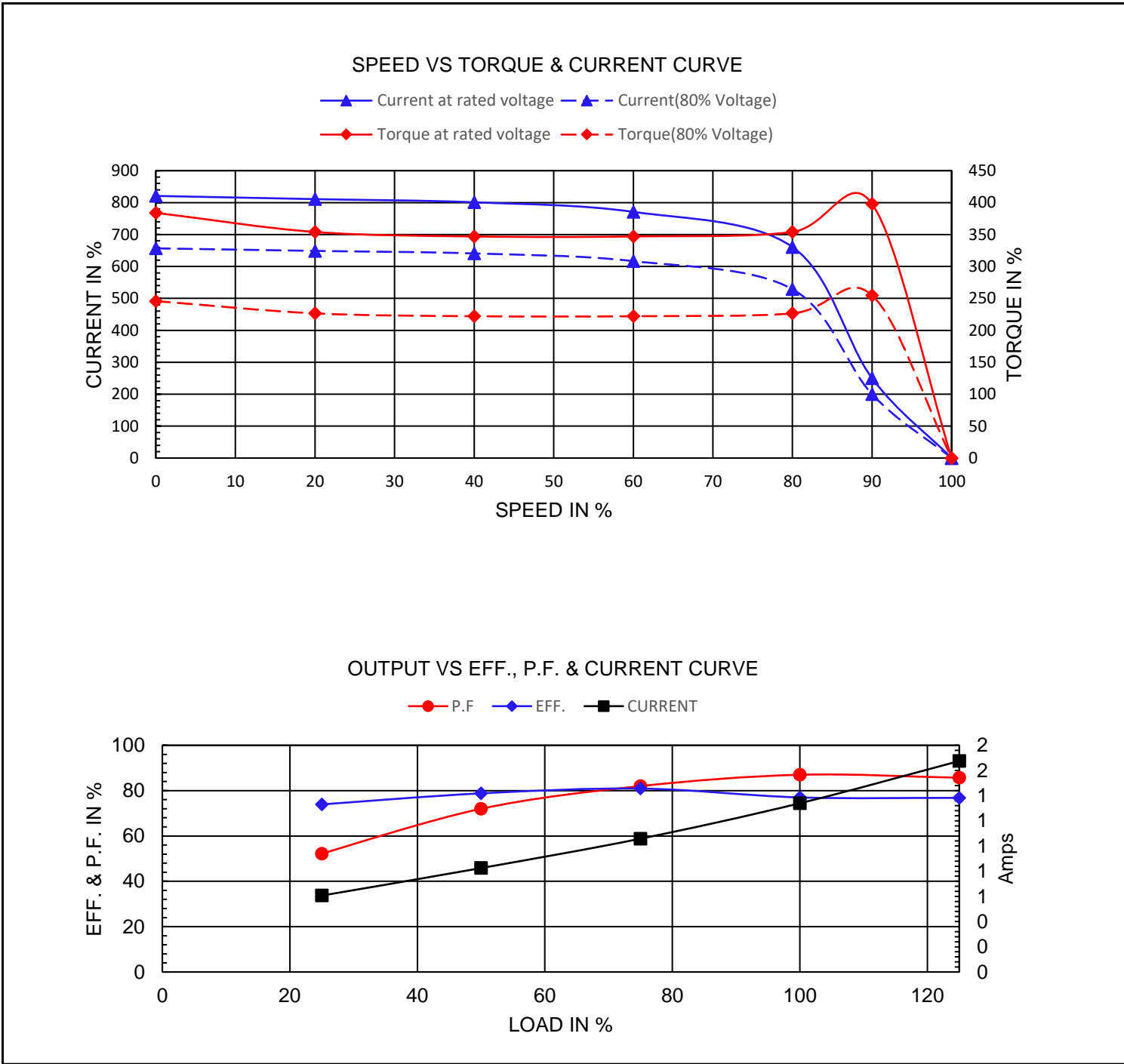
Premium Efficiency Motor:

LAM50-18-326TC

Document Generated: 25-Jan-2022
Document ID:

Customer:

Motor Type	LAM		FL Speed	1778	
Output Rating (HP)	50		LRT (%FLT)	287	460 volt FLA 58.2
Full Load Torque	147	lb.ft	BDT (%FLT)	291	230 volt FLA 116.4A
Rotor Wk ²	10.429	lb-ft ²			



NAMEPLATE / WIRING

Premium Efficiency Motor: **LAM50-18-326TC**

WorldWide Electric Corporation

1 (800) 808-2131

Worldwideelectric.net



Document Generated: 25-Jan-2022
Document ID:

Customer:

SAMPLE NAMEPLATE DATA

		SEVERE DUTY MOTOR																									
IEEE45		Model :		Encl :		SN :		<table border="1"> <tr><td>7</td><td>8</td><td>9</td></tr> <tr><td>6</td><td>4</td><td>5</td></tr> <tr><td>12</td><td>10</td><td>11</td></tr> <tr><td>1</td><td>2</td><td>3</td></tr> <tr><td>L1</td><td>L2</td><td>L3</td></tr> <tr><td colspan="3">208-230 V</td></tr> </table>		7	8	9	6	4	5	12	10	11	1	2	3	L1	L2	L3	208-230 V		
7	8	9																									
6	4	5																									
12	10	11																									
1	2	3																									
L1	L2	L3																									
208-230 V																											
HP :	Poles :	FR:	Ins:	Duty: Cont	IP :	Max Amb 40°C		<table border="1"> <tr><td>7</td><td>8</td><td>9</td></tr> <tr><td>4</td><td>5</td><td>6</td></tr> <tr><td>12</td><td>10</td><td>11</td></tr> <tr><td>1</td><td>2</td><td>3</td></tr> <tr><td>L1</td><td>L2</td><td>L3</td></tr> <tr><td colspan="3">460 V</td></tr> </table>		7	8	9	4	5	6	12	10	11	1	2	3	L1	L2	L3	460 V		
7	8	9																									
4	5	6																									
12	10	11																									
1	2	3																									
L1	L2	L3																									
460 V																											
Hz :	CODE :	Hz :	Design :		DE BRG :		<p>UL certified Class I, Division II, Groups A,B,C,D T3B</p>																				
Volts :	P.F :	Volts :	ODE BRG :		WT :																						
Amps :	Eff :	Amps :	Date :																								
RPM :	S.F :	RPM :																									
Usable on 208V 60Hz network at ___ Amps		S.F :																									
CC306B ISO9001				LOUIS ALLIS		A WORLDWIDE ELECTRIC COMPANY																					

Model	LAM50-18-326TC	Encl:	TEFC	Ins:	F	
HP:	50	Poles:	4	FR:	324/6TC	
Hz:	60	CODE:	G	Hz:	50	
Volts:	230/460	P.F:	0.84	Volts:	190/380	
Amps:	116.4/58.2	EFF:	0.945	Amps:	139.8/69.9	
RPM:	1778	S.F:	1.25	RPM:	1465	
Usable on 208V 60Hz network at		128.7 A	S.F:	1.00	WT:	lbs.
IP:	55	Design:	B	DE BRG:	6314 C3	
ODE BRG:	6212 C3					