

DATA SHEET

Premium Efficiency Motor: **LAM50-36-326TS,**

60 Hz

WorldWide Electric Corporation

1 (800) 808-2131

Worldwideelectric.net



Document Generated: 5-Apr-2021

Document ID:

Customer:

MOTOR INFORMATION

HP	50
RPM	3600
Phase	3
Frequency	60 Hz
Voltage	208-230/460
Frame Size	324/6TS
Enclosure	TEFC
Degree of Protection	IP55
Service Factor	1.25
Poles	2
Full Load Speed	3553
Insulation Class	F
Temp Rise	80°C
NEMA Code Letter	G
Duty Cycle	S1 / Continuous
Slip	1.31%
NEMA Design	B
Moment of Inertia	3.404 lb.ft. ²
Locked Rotor Time (Hot)	12 seconds
Sound Pressure Level	100 dB(A)
Number of Starts	2 Cold/1 Hot
Max Ambient Temperature	40°C
Max Elevation	1000 m.a.s.l (3300 f.a.s.l)
Mounting	F1
Rotation	Bi-Directional
Area of Classification	Class 1 Division 2 Groups A,B,C,D T3B
Inverter Rating	10:1 CT / 20:1 VT
Standard	NEMA MG-1
Approvals	UL, CE, IEEE45

EFFICIENCY/POWER FACTOR

LOAD	EFF	P. F.
100%	93.0 %	0.9
75%	93.9 %	0.88
50%	93.2 %	0.84

TORQUE

FULL LOAD	LRT	BDT
73.3 lb.ft.	348 %	400 %

AMPERAGE INFORMATION

	230V	460V
Full Load Amps	110.6A	55.3
Locked Rotor Amps	783.2A	391.6A
No Load Current	33.6A	16.8A
Usable at 208V	122.3 A	

BEARING INFORMATION

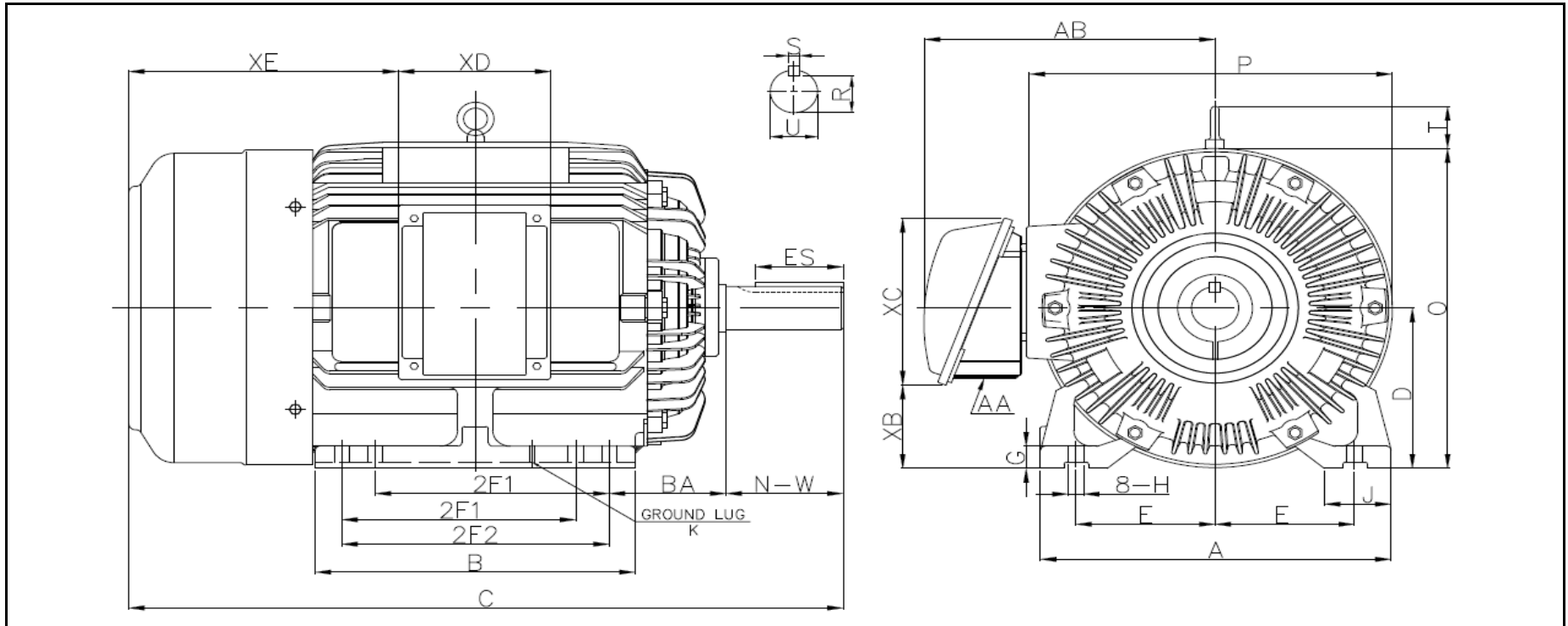
DE Bearing	6314 C3
ODE Bearing	6212 C3
Grease Type	Mobil Polyrex EM
DE Regreasing Interval	2400 Hours
ODE Regreasing Interval	3600 Hours
Grease Quantity	26g/12g

ADDITIONAL DATA

F2 Suitable	YES
Shaft Material	AISI 1045
Connection Diagram	12 Lead Delta
Approximate Weight	571.7 lbs.



LOUIS ALLIS MOTOR DRAWING LAM-324/6TS



DIMENSIONS - INCHES

MOUNTING					A	B	C	D	G	J	P	O	T	AB
E	2F1	2F2	H	BA										
6.25	10.5	12	0.66	5.25	15.75	14.37	31.17	8	0.984	3.15	16.5	16.19	2.42	12.8

SHAFT & KEY				
S	ES	R	N-W	U
0.5	2.03	1.591	3.75	1.875

TERMINAL BOX				
AA	XB	XC	XD	XE
2	4.15	8.32	6.85	12.1

PERFORMANCE CURVES

WorldWide Electric Corporation

1 (800) 808-2131

Worldwideelectric.net



Premium Efficiency Motor:

LAM50-36-326TS

Document Generated:	5-Apr-2021	Customer:	
Document ID:			

Motor Type	LAM		
Output Rating (HP)	50	FL Speed	3553
Full Load Torque	73.3 lb.ft	LRT (%FLT)	348
		460 volt FLA	55.3
Rotor Wk ²	3.404 lb-ft ²	BDT (%FLT)	400
		230 volt FLA	110.6A

