

DATA SHEET

Premium Efficiency Motor: **LAM60-12-404TC,**

60 Hz

WorldWide Electric Corporation

1 (800) 808-2131

Worldwideelectric.net



Document Generated: 5-Apr-2021

Document ID:

Customer:

MOTOR INFORMATION

HP	60
RPM	1200
Phase	3
Frequency	60 Hz
Voltage	208-230/460
Frame Size	404/5TC
Enclosure	TEFC
Degree of Protection	IP55
Service Factor	1.25
Poles	6
Full Load Speed	1178
Insulation Class	F
Temp Rise	80°C
NEMA Code Letter	G
Duty Cycle	S1 / Continuous
Slip	1.80%
NEMA Design	B
Moment of Inertia	30.391 lb.ft.^2
Locked Rotor Time (Hot)	12 seconds
Sound Pressure Level	90 dB(A)
Number of Starts	2 Cold/1 Hot
Max Ambient Temperature	40°C
Max Elevation	1000 m.a.s.l (3300 f.a.s.l)
Mounting	F1
Rotation	Bi-Directional
Area of Classification	Class 1 Division 2 Groups A,B,C,D T3B
Inverter Rating	10:1 CT / 20:1 VT
Standard	NEMA MG-1
Approvals	UL, CE, IEEE45

EFFICIENCY/POWER FACTOR

LOAD	EFF	P. F.
100%	94.5 %	0.85
75%	94.4 %	0.81
50%	94.0 %	0.72

TORQUE

FULL LOAD	LRT	BDT
268.6 lb.ft.	246 %	310 %

AMPERAGE INFORMATION

	230V	460V
Full Load Amps	141.2A	70.6
Locked Rotor Amps	924.6A	462.3A
No Load Current	53A	26.5A
Usable at 208V	156.1 A	

BEARING INFORMATION

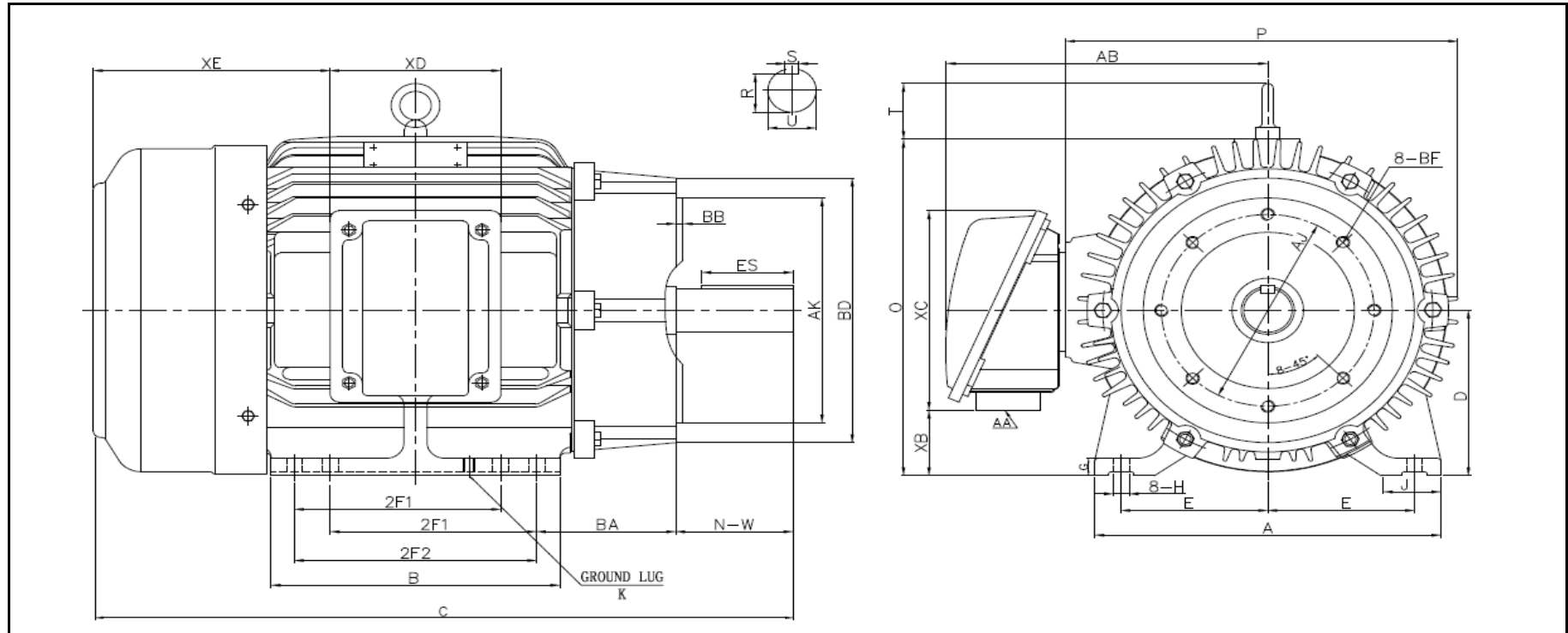
DE Bearing	6316 C3
ODE Bearing	6313 C3
Grease Type	Mobil Polyrex EM
DE Regreasing Interval	2400 Hours
ODE Regreasing Interval	3600 Hours
Grease Quantity	33g/23g

ADDITIONAL DATA

F2 Suitable	YES
Shaft Material	AISI 1045
Connection Diagram	12 Lead Delta
Approximate Weight	lbs.



LOUIS ALLIS MOTOR DRAWING LAM-404/5TC



DIMENSIONS - INCHES

MOUNTING					A	B	C	D	G	J	P	O	T	AB
E	2F1	2F2	H	BA										
8	12.25	13.75	0.81	6.62	18.89	17.32	40.75	10	1.181	3.937	20.27	20.67	2.81	18.215

SHAFT & KEY				
S	ES	R	N-W	U
0.75	5.65	2.45	7.25	2.875

TERMINAL BOX				
AA	XB	XC	XD	XE
3	5.29	11.27	9.17	12.32

FLANGE				
AK	BD	AJ	BF	BB
12.5	15.5	11	(8) 5/8-11	0.25

REVISED - 3/18/2021

PERFORMANCE CURVES

WorldWide Electric Corporation

1 (800) 808-2131

Worldwideelectric.net



Premium Efficiency Motor:

LAM60-12-404TC

Document Generated:	5-Apr-2021	Customer:	
Document ID:			

Motor Type	LAM		
Output Rating (HP)	60	FL Speed	1178
Full Load Torque	268.6 lb.ft	LRT (%FLT)	246
		460 volt FLA	70.6
Rotor Wk ²	30.391 lb-ft ²	BDT (%FLT)	310
		230 volt FLA	141.2A

