

DATA SHEET

Premium Efficiency Motor: **LAM75-18-365TC,**

60 Hz

WorldWide Electric Corporation

1 (800) 808-2131

Worldwideelectric.net



Document Generated: 5-Apr-2021

Document ID:

Customer:

MOTOR INFORMATION

HP	75
RPM	1800
Phase	3
Frequency	60 Hz
Voltage	208-230/460
Frame Size	364/5TC
Enclosure	TEFC
Degree of Protection	IP55
Service Factor	1.25
Poles	4
Full Load Speed	1785
Insulation Class	F
Temp Rise	80°C
NEMA Code Letter	G
Duty Cycle	S1 / Continuous
Slip	0.86%
NEMA Design	B
Moment of Inertia	15.869 lb.ft.^2
Locked Rotor Time (Hot)	12 seconds
Sound Pressure Level	95 dB(A)
Number of Starts	2 Cold/1 Hot
Max Ambient Temperature	40°C
Max Elevation	1000 m.a.s.l (3300 f.a.s.l)
Mounting	F1
Rotation	Bi-Directional
Area of Classification	Class 1 Division 2 Groups A,B,C,D T3B
Inverter Rating	10:1 CT / 20:1 VT
Standard	NEMA MG-1
Approvals	UL, CE, IEEE45

EFFICIENCY/POWER FACTOR

LOAD	EFF	P. F.
100%	95.4 %	0.84
75%	95.8 %	0.81
50%	95.4 %	0.71

TORQUE

FULL LOAD	LRT	BDT
217.1 lb.ft.	255 %	305 %

AMPERAGE INFORMATION

	230V	460V
Full Load Amps	171.4A	85.7
Locked Rotor Amps	1138.2A	569.1A
No Load Current	64.4A	32.2A
Usable at 208V	189.5 A	

BEARING INFORMATION

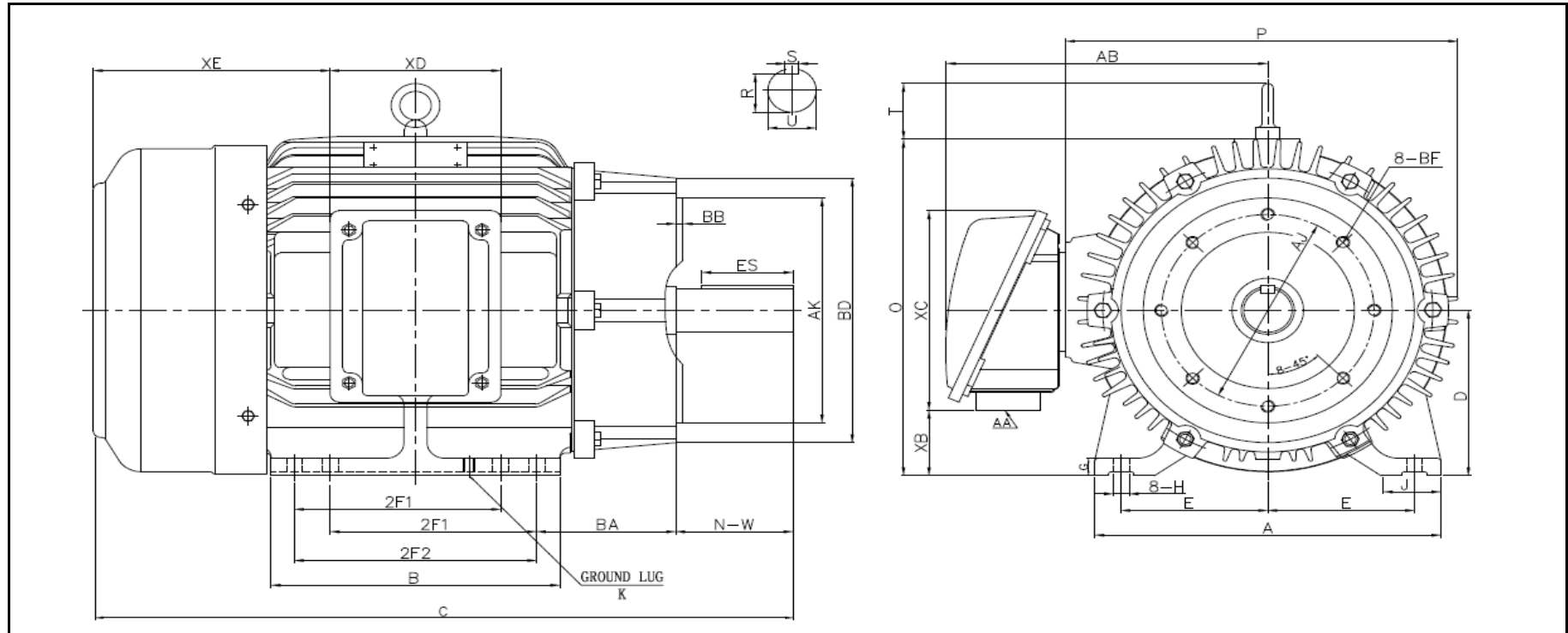
DE Bearing	6316 C3
ODE Bearing	6313 C3
Grease Type	Mobil Polyrex EM
DE Regreasing Interval	2400 Hours
ODE Regreasing Interval	3600 Hours
Grease Quantity	33g/23g

ADDITIONAL DATA

F2 Suitable	YES
Shaft Material	AISI 1045
Connection Diagram	12 Lead Delta
Approximate Weight	lbs.



LOUIS ALLIS MOTOR DRAWING LAM-364/5TC



DIMENSIONS - INCHES

MOUNTING					A	B	C	D	G	J	P	O	T	AB
E	2F1	2F2	H	BA										
7	11.25	12.25	0.66	5.88	16.93	15.4	33.52	9	1.181	3.543	16.54	19.11	2.81	15.55

SHAFT & KEY				
S	ES	R	N-W	U
0.625	4.28	2.021	5.88	2.375

TERMINAL BOX				
AA	XB	XC	XD	XE
3	4.29	11.27	9.17	12.4

FLANGE				
AK	BD	AJ	BF	BB
12.5	14	11	(8) 5/8-11	0.25

REVISED - 3/18/2021

PERFORMANCE CURVES

WorldWide Electric Corporation

1 (800) 808-2131

Worldwideelectric.net



Premium Efficiency Motor:

LAM75-18-365TC

Document Generated:	5-Apr-2021	Customer:	
Document ID:			

Motor Type	LAM		
Output Rating (HP)	75	FL Speed	1785
Full Load Torque	217.1 lb.ft	LRT (%FLT)	255
		460 volt FLA	85.7
Rotor Wk ²	15.869 lb-ft ²	BDT (%FLT)	305
		230 volt FLA	171.4A

