

# DATA SHEET

Premium Efficiency Motor: **LAM75-36-365TS,**

**60 Hz**

WorldWide Electric Corporation

1 (800) 808-2131

Worldwideelectric.net



Document Generated: 5-Apr-2021

Document ID:

Customer:

## MOTOR INFORMATION

HP	75
RPM	3600
Phase	3
Frequency	60 Hz
Voltage	208-230/460
Frame Size	364/5TS
Enclosure	TEFC
Degree of Protection	IP55
Service Factor	1.25
Poles	2
Full Load Speed	3573
Insulation Class	F
Temp Rise	80°C
NEMA Code Letter	G
Duty Cycle	S1 / Continuous
Slip	0.74%
NEMA Design	B
Moment of Inertia	8.602 lb.ft.^2
Locked Rotor Time (Hot)	12 seconds
Sound Pressure Level	101 dB(A)
Number of Starts	2 Cold/1 Hot
Max Ambient Temperature	40°C
Max Elevation	1000 m.a.s.l (3300 f.a.s.l)
Mounting	F1
Rotation	Bi-Directional
Area of Classification	Class 1 Division 2 Groups A,B,C,D T3B
Inverter Rating	10:1 CT / 20:1 VT
Standard	NEMA MG-1
Approvals	UL, CE, IEEE45

## EFFICIENCY/POWER FACTOR

LOAD	EFF	P. F.
100%	93.6 %	0.9
75%	94.3 %	0.89
50%	93.0 %	0.83

## TORQUE

FULL LOAD	LRT	BDT
107.8 lb.ft.	349 %	398 %

## AMPERAGE INFORMATION

	230V	460V
Full Load Amps	161.6A	80.8
Locked Rotor Amps	1152.4A	576.2A
No Load Current	44.6A	22.3A
Usable at 208V	178.7 A	

## BEARING INFORMATION

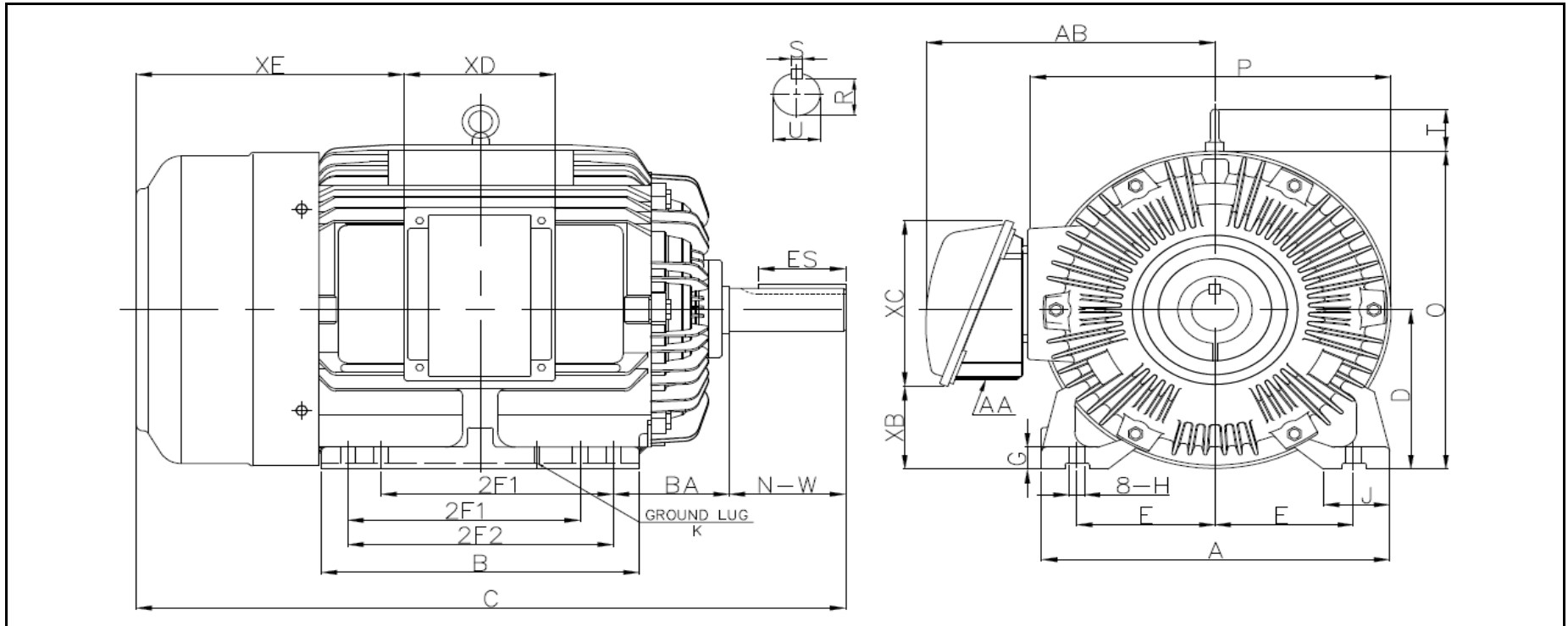
DE Bearing	6316 C3
ODE Bearing	6313 C3
Grease Type	Mobil Polyrex EM
DE Regreasing Interval	2400 Hours
ODE Regreasing Interval	3600 Hours
Grease Quantity	33g/23g

## ADDITIONAL DATA

F2 Suitable	YES
Shaft Material	AISI 1045
Connection Diagram	12 Lead Delta
Approximate Weight	949.2 lbs.



# LOUIS ALLIS MOTOR DRAWING LAM-364/5TS



**DIMENSIONS - INCHES**

MOUNTING					A	B	C	D	G	J	P	O	T	AB
E	2F1	2F2	H	BA										
7	11.25	12.25	0.66	5.88	16.93	15.4	31.39	9	1.181	3.543	16.54	19.11	2.81	15.55

SHAFT & KEY				
S	ES	R	N-W	U
0.5	2.03	1.591	3.75	1.875

TERMINAL BOX				
AA	XB	XC	XD	XE
3	4.29	11.27	9.17	12.4

# PERFORMANCE CURVES

WorldWide Electric Corporation

1 (800) 808-2131

Worldwideelectric.net



Premium Efficiency Motor:

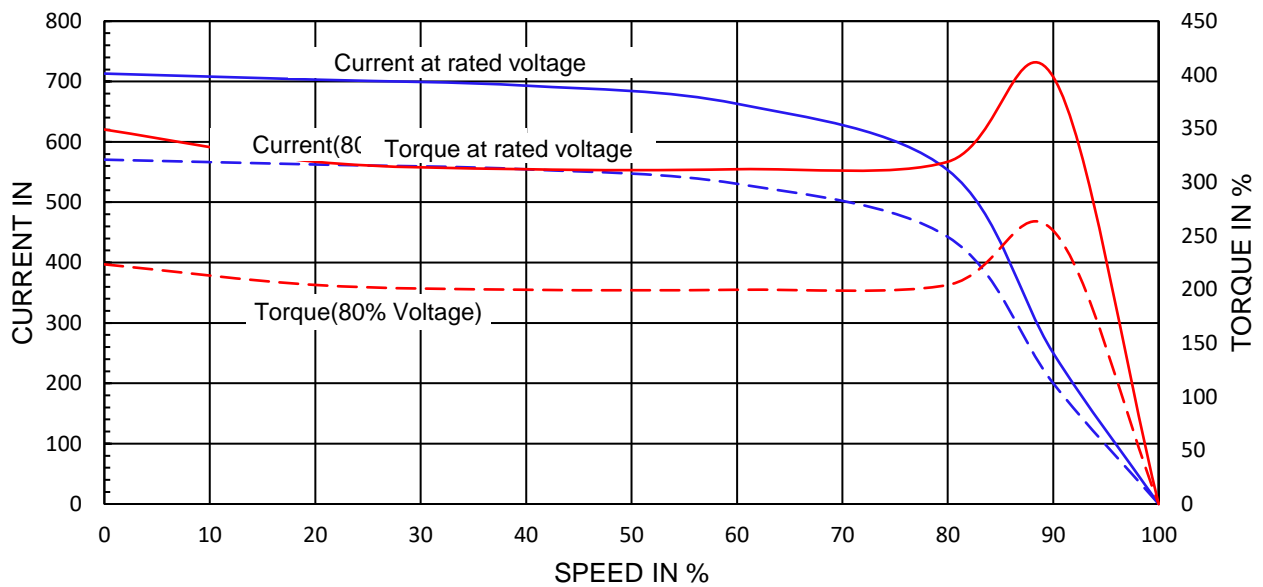
**LAM75-36-365TS**

Document Generated: 5-Apr-2021  
Document ID:

Customer:

Motor Type	LAM		FL Speed	3573	
Output Rating (HP)	75		LRT (%FLT)	349	
Full Load Torque	107.8	lb.ft	460 volt FLA	80.8	
Rotor Wk <sup>2</sup>	8.602	lb-ft <sup>2</sup>	230 volt FLA	161.6A	
			BDT (%FLT)	398	

SPEED VS TORQUE & CURRENT CURVE



OUTPUT VS EFF., P.F. & CURRENT CURVE

