



WORLDWIDE ELECTRIC MOTOR DATA SHEET



ODP100-18-404T

HORSEPOWER	100		
RPM / POLES	1800 / 4		
VOLTAGE / PHASE	208 - 230 / 460 V / 3		
FRAME	404T		
ENCLOSURE / DEGREE OF PROTECTION	ODP / IP23		
FREQUENCY	60 HZ Suitable For 50 HZ Operation With 1.0 SF		
FULL LOAD SPEED	1787 RPM		
SERVICE FACTOR	1.15 SF 60HZ / 1.0 SF at 50HZ		
INSULATION CLASS	F		
FULL LOAD AMPS; 230 / 460	230.6 / 115.3 A		
LOCKED ROTOR AMPS (STARTING); 230 / 460	1550.4 / 775.2 A		
NO LOAD CURRENT	65.4 / 32.7 A		
NEMA CODE LETTER	G		
EFFICIENCY / POWER FACTOR	<u>LOAD</u>	<u>EFF.</u>	<u>P.F.</u>
	100%	95.4%	0.85
	75%	95.7%	0.84
	50%	95.3%	0.77
DUTY CYCLE	S1 / Continuous		
TORQUE	<u>FULL LOAD</u>	<u>LRT</u>	<u>BDT</u>
	294.8 lb.ft.	308%	276%
SLIP	0.7317%		
NEMA DESIGN	B		
NUMBER OF STARTS (Hot / Cold)	2 Hot / 3 Cold		
MAX. AMBIENT TEMPERATURE	40° C		
MAX. ELEVATION	3300 Ft. Above Sea Level		
TEMPERATURE RISE (At Full Load)	80° C		
DE BEARING	6316		
ODE BEARING	6313		
GREASE TYPE	Mobil Polyrex EM		
MOUNTING	F1 / F2 Suitable		
ROTATION	Bi-Directional		
APPROXIMATE WEIGHT	1034 lbs.		
AREA CLASSIFICATION	Non-Hazardous		
INVERTER RATING	10:1 CT / 20:1 VT PWM Type		
SPECIFICATION - In Accordance With	NEMA, UR		

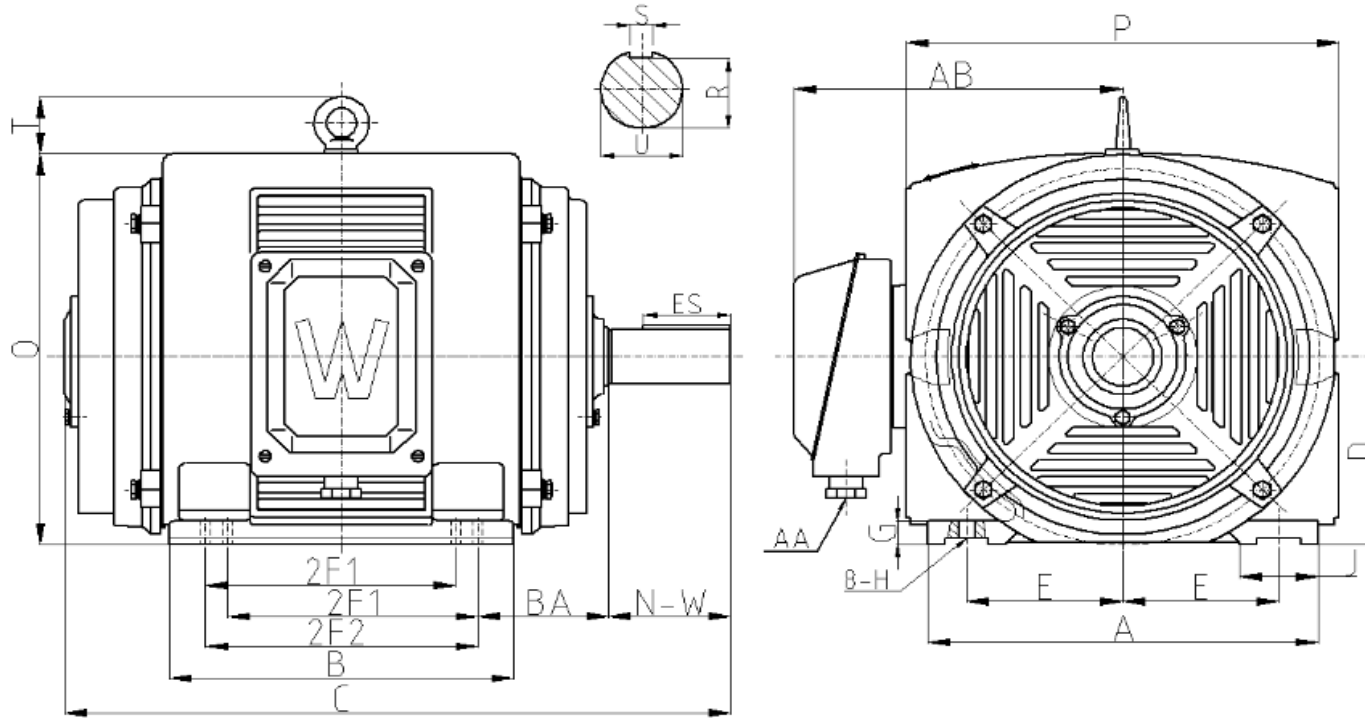


NOVEMBER 12, 2020



WORLDWIDE ELECTRIC MOTOR DRAWING

ODP-404T



ALL DIMENSIONS IN INCHES

MOUNTING										
E	2F1	2F2	H	BA	A	B	C	D	G	
8	12.25	13.75	0.81	6.62	20	17.6	33.7	10	1.181	

KEYSET	KEY										
R	ES	S	U	N-W	P	AB	AA	O	J	T	
2.45	5.65	0.75	2.875	7.25	21.3	16.93	3	20.3	3.937	3	

REVISED - 09/24/2019