



# WORLDWIDE ELECTRIC MOTOR DATA SHEET



## ODP100-36-365TS

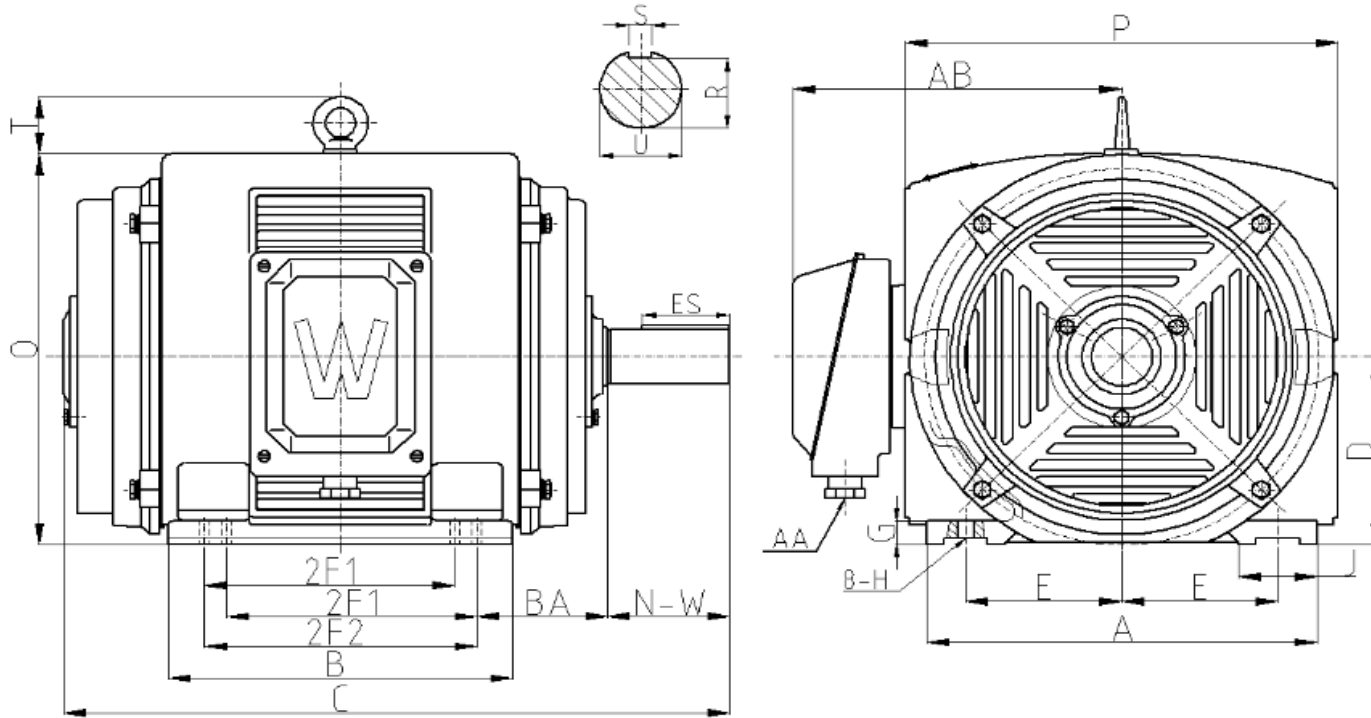
HORSEPOWER	100		
RPM / POLES	3600 / 2		
VOLTAGE / PHASE	208 - 230 / 460 V / 3		
FRAME	365TS		
ENCLOSURE / DEGREE OF PROTECTION	ODP / IP23		
FREQUENCY	60 HZ Suitable For 50 HZ Operation With 1.0 SF		
FULL LOAD SPEED	3562 RPM		
SERVICE FACTOR	1.15 SF 60HZ / 1.0 SF at 50HZ		
INSULATION CLASS	F		
FULL LOAD AMPS; 230 / 460	221.2 / 110.6 A		
LOCKED ROTOR AMPS (STARTING); 230 / 460	354.8 / 677.4 A		
NO LOAD CURRENT	45.4 / 22.7 A		
NEMA CODE LETTER	G		
EFFICIENCY / POWER FACTOR	<u>LOAD</u>	<u>EFF.</u>	<u>P.F.</u>
	100%	93.6%	0.90
	75%	95.3%	0.89
	50%	95.0%	0.86
DUTY CYCLE	S1 / Continuous		
TORQUE	<u>FULL LOAD</u>	<u>LRT</u>	<u>BDT</u>
	148 lb.ft.	244%	274%
SLIP	1.067		
NEMA DESIGN	B		
NUMBER OF STARTS (Hot / Cold)	2 Hot / 3 Cold		
MAX. AMBIENT TEMPERATURE	40° C		
MAX. ELEVATION	3300 Ft. Above Sea Level		
TEMPERATURE RISE (At Full Load)	80° C		
DE BEARING	6314		
ODE BEARING	6212		
GREASE TYPE	Mobil Polyrex EM		
MOUNTING	F1 / F2 Suitable		
ROTATION	Bi-Directional		
APPROXIMATE WEIGHT	816 lbs.		
AREA CLASSIFICATION	Non-Hazardous		
INVERTER RATING	10:1 CT / 20:1 VT PWM Type		
SPECIFICATION - In Accordance With	NEMA, UR		





WORLDWIDE ELECTRIC MOTOR DRAWING

ODP-365TS



ALL DIMENSIONS IN INCHES

MOUNTING										
E	2F1	2F2	H	BA	A	B	C	D	G	
7	11.25	12.25	0.66	5.88	17.6	15.5	28.8	9	1.1	

KEYSET	KEY										
R	ES	S	U	N-W	P	AB	AA	O	J	T	
1.591	2	0.5	1.875	3.75	19.5	14.8	3	18.5	3.543	2.7	