



# WORLDWIDE ELECTRIC MOTOR DATA SHEET

## PEWWE150-18-445TC



HORSEPOWER	150
RPM / POLES	1800 / 4
VOLTAGE / PHASE	230 / 460 V / 3
FRAME	445TC
ENCLOSURE / DEGREE OF PROTECTION	TEFC / IP55
FREQUENCY	60 HZ Suitable For 50 HZ Operation With 1.0 SF
FULL LOAD SPEED	1790 RPM
SERVICE FACTOR	1.25
INSULATION CLASS	F
FULL LOAD AMPS; 230 / 460	349 / 175 A (Usable On 208V At 386 A)
LOCKED ROTOR AMPS (STARTING); 230 / 460	2170 / 1085 A
NO LOAD CURRENT	116 / 58 A
NEMA CODE LETTER	G
EFFICIENCY / POWER FACTOR	<u>LOAD</u> <u>EFF.</u> <u>P.F.</u>
	100 %                      95.8%                      0.84
	75 %                      96.1%                      0.81
DUTY CYCLE	50 %                      95.9%                      0.73
	S1 / Continuous
TORQUE	<u>FULL LOAD</u> <u>LRT</u> <u>BDT</u>
	440 lb.ft.                      160%                      240%
SLIP	0.55 %
NEMA DESIGN	B
MOMENT OF INERTIA	45.9 lb.ft. <sup>2</sup>
MAX. TIME LOCKED ROTOR (Hot)	19 Seconds
SOUND PRESSURE LEVEL	77 dB (A)
MAX. AMBIENT TEMPERATURE	40° C
MAX. ELEVATION	3300 Ft.
TEMPERATURE RISE (At Full Load)	80° C
DE BEARING	6318 C3
ODE BEARING	6313 C3
REGREASING INT. - DE BEARING	1500 Hours
REGREASING INT. - ODE BEARING	3000 Hours
GREASE TYPE	SKF LGHP 2
MOUNTING	F1 (F2 Suitable)
ROTATION	Bi-Directional
SHAFT MATERIAL	1045 Carbon Steel
INVERTER RATING	10:1 CT / 20:1 VT PWM Type
CONNECTION DIAGRAM	230 / 460 V - 12 Lead Δ
AREA CLASSIFICATION	Class I, Division 2, Groups A, B, C, D
APPROXIMATE WEIGHT	1625 lbs.



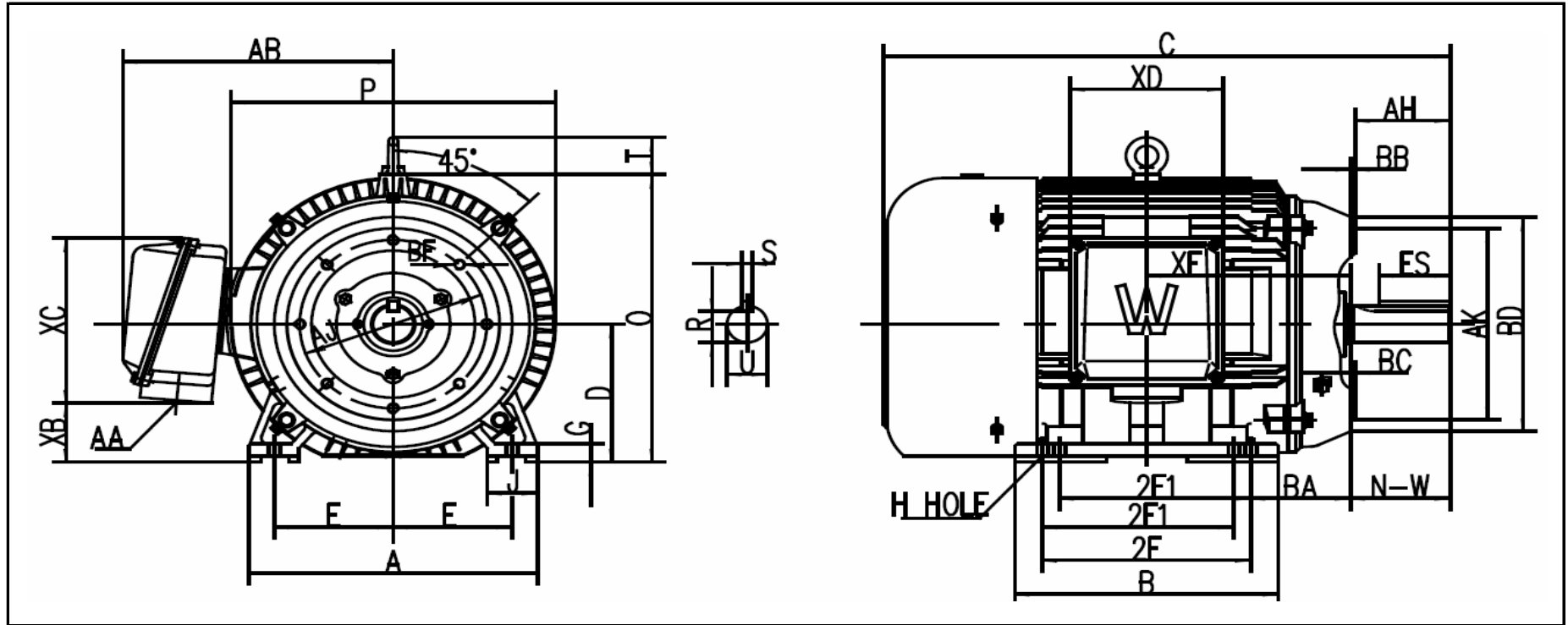
CC006A





# WORLDWIDE ELECTRIC MOTOR DRAWING

## PEWWE-445TC



DIMENSIONS - INCHES

MOUNTING					A	B	C	D	G	J	P	O	T	AB
E	2F1	2F2	H	BA										
9	14.5	16.5	0.81	7.5	22	20.5	44	11	1.38	3.4	23.5	23	3.47	20

KEY		KEYSET	FLANGE				SHAFT		TERMINAL BOX					
S	ES	R	AK	AJ	BF	BB	BD	N-W	U	AA	XB	XC	XD	XE
0.875	6.91	2.88	16	14	5/8 - 11	0.25	18	8.5	3.375	2 x 3	5.9	12	11.5	14

REVISED - 10/19/18

# PERFORMANCE CURVES

WorldWide Electric Corporation

1 (800) 808-2131

Worldwideelectric.net

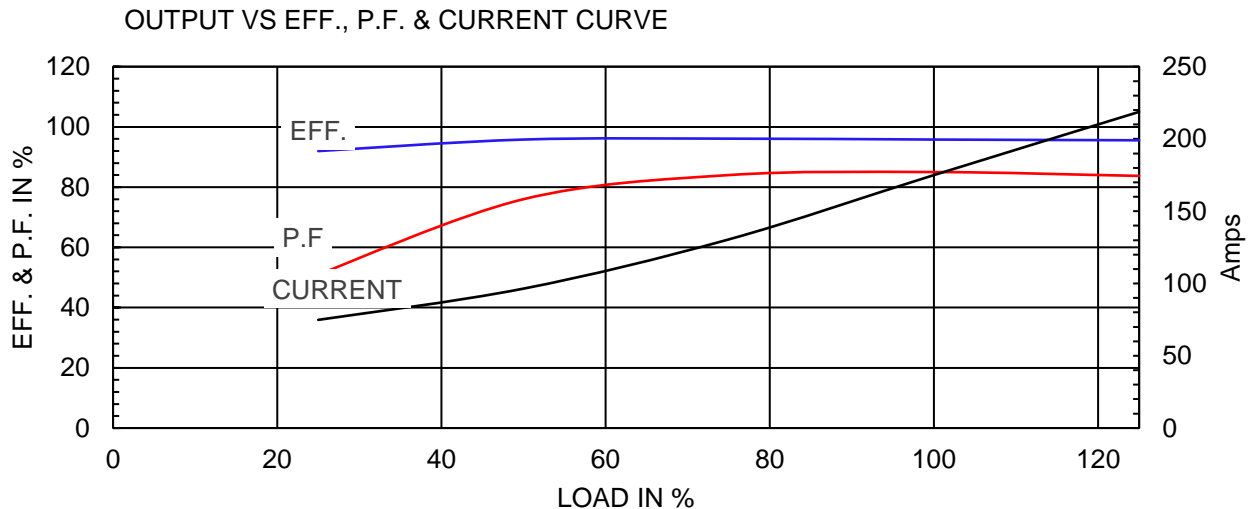
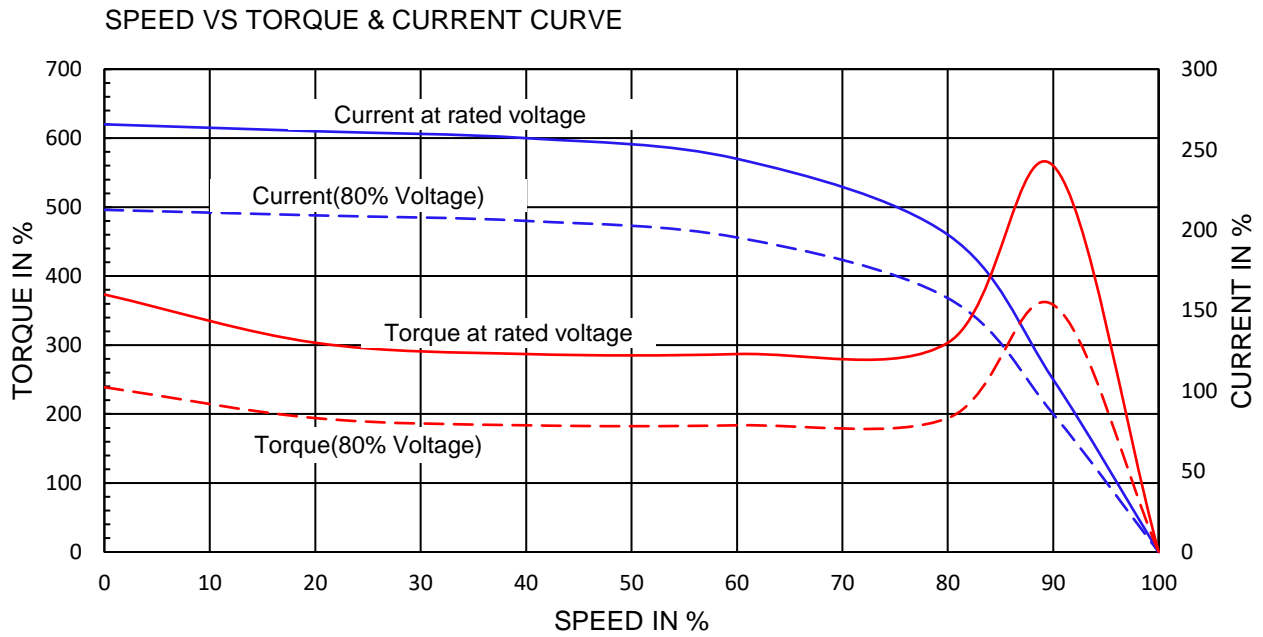


Premium Efficiency Motor:

**PEWWE150-18-445TC**

Document Generated: 25-Jun-2020	Customer:
Document ID:	

Motor Type	PEWWE		FL Speed	1790	
Output Rating (HP)	150		LRT (%FLT)	160	
Full Load Torque	440 lb.ft		460 volt FLA	175	
Rotor Wk <sup>2</sup>	48.5 lb-ft <sup>2</sup>		230 volt FLA	349A	
			BDT (%FLT)	240	



# NAMEPLATE / WIRING

WorldWide Electric Corporation

1 (800) 808-2131

Worldwideelectric.net



Premium Efficiency Motor: **PEWWE150-18-445TC**

Document Generated: 24-Sep-2019  
Document ID:

Customer:

## SAMPLE NAMEPLATE DATA

		<b>PREMIUM EFFICIENCY</b> <b>3-PHASE INDUCTION MOTOR</b>				259277 	CC006A ISO9001
Model	PEWWE150-18-445TC	Ser No.	ZP		<b>Low Voltage</b> 6 4 5 7 8 9 12 10 11 1 2 3 L1 L2 L3		
HP	150	S.F.	1.25	Type	Encl	TEFC IP55	
Frame	445TC	P.F.	0.85	Ins Cl	Rating	40°C Amb Cont	
Voltage	230/460	Hz	60 Hz	Design	DE Brng	NU318 C3	
Amps	349A / 175A	RPM	1790	Code	ODE Brng	6313 C3	
Nom.Eff.	FL 95.8 %	3/4 96.1 %	230/460V		Date		
Usable on 208V network at		381 Amps	1.0SF	Class I DIV. 2 Groups A B C D		Amb.40°C T3A(180°C)	
10:1 CT 20:1 VT PWM VFD		1.0SF		Class I Zone 2 IIC		Amb.55°C T3(200°C)	
50Hz 150 HP 200/400 V V407.00 /203.00 A 1490 rpm 1.0SF							
<b>WorldWide Electric Corporation</b>							
				<b>High Voltage</b> 4 5 6 7 8 9 12 10 11 1 2 3 L1 L2 L3			

