

DATA SHEET

Premium Efficiency Motor: **PEWWE20-18-256TC**

60 Hz

WorldWide Electric Corporation

1 (800) 808-2131

Worldwideelectric.net



Document Generated: 16-Feb-2023

Document ID:

Customer:

MOTOR INFORMATION

| | |
|-------------------------|--|
| HP | 20 |
| RPM | 1800 |
| Phase | 3 |
| Frequency | 60 Hz |
| Voltage | 230/460 V |
| Frame Size | 256TC |
| Enclosure | TEFC |
| Degree of Protection | IP55 |
| Service Factor | 1.25 |
| Poles | 4 |
| Full Load Speed | 1765 |
| Insulation Class | F |
| Temp Rise | 80°C |
| NEMA Code Letter | G |
| Duty Cycle | S1 / Continuous |
| Slip | 1.94% |
| NEMA Design | B |
| Moment of Inertia | 2.23 lb.ft.^2 |
| Locked Rotor Time (Hot) | 22 seconds |
| Sound Pressure Level | 68 dB(A) |
| Number of Starts | 2 Cold/ 1 Hot |
| Max Ambient Temperature | 40°C |
| Max Elevation | 1000 m.a.s.l (3300 f.a.s.l) |
| Mounting | F1 |
| Rotation | Bi-Directional |
| Area of Classification | Class I, Division 2, Groups A, B, C, D |
| Inverter Rating | 10:1 CT / 20:1 VT PWM Type |
| Standard | NEMA MG-1 |
| Approvals | CSA-US, CE |

EFFICIENCY/POWER FACTOR

| LOAD | EFF | P. F. |
|------|--------|-------|
| 100% | 93.0 % | 0.85 |
| 75% | 93.2 % | 0.82 |
| 50% | 92.9 % | 0.72 |

TORQUE

| FULL LOAD | LRT | BDT |
|-------------|-------|-------|
| 59.5 lb.ft. | 180 % | 250 % |

AMPERAGE INFORMATION

| | 230V | 460V |
|-------------------|-------|-------|
| Full Load Amps | 47.4A | 23.7A |
| Locked Rotor Amps | 290A | 145A |
| No Load Current | 18A | 9A |
| Usable at 208V | 52.4A | |

BEARING INFORMATION

| | |
|-------------------------|------------|
| DE Bearing | 6309 C3 |
| ODE Bearing | 6209 C3 |
| Grease Type | SKF LGHP 2 |
| DE Regreasing Interval | 5000 Hours |
| ODE Regreasing Interval | 5000 Hours |

ADDITIONAL DATA

| | |
|--------------------|------------------------|
| F2 Suitable | Yes |
| Shaft Material | 1045 Carbon Steel |
| Connection Diagram | 230 / 460 V - 9 Lead Δ |
| Approximate Weight | 297 lbs. |

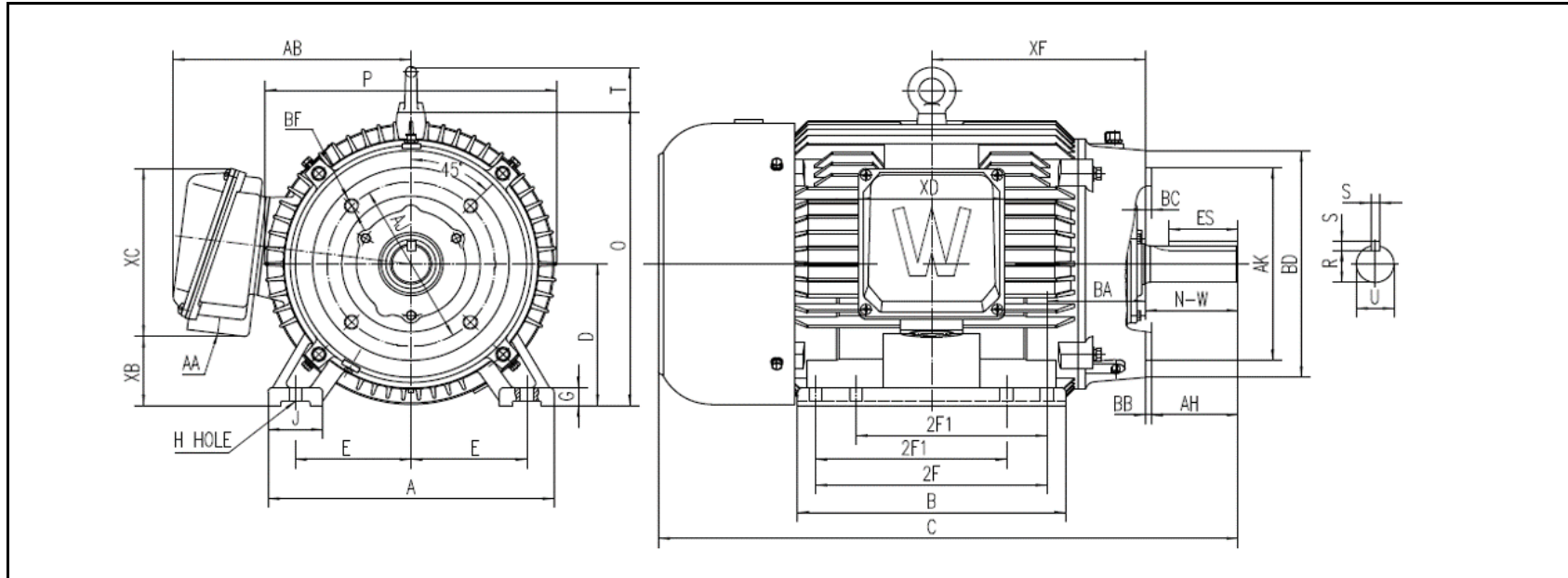
MOTOR DRAWING

Premium Efficiency Motor: **PEWWE20-18-256TC**

WorldWide Electric Corporation

1 (800) 808-2131

Worldwideelectric.net



DIMENSION - INCHES

| MOUNTING | | | | | A | B | C | D | G | J | P | O | T | AB |
|----------|------|----|------|------|--------|--------|--------|------|-------|-------|--------|--------|-------|--------|
| E | 2F1 | 2F | H | BA | | | | | | | | | | |
| 5 | 8.25 | 10 | 0.53 | 4.25 | 12.362 | 11.575 | 25.041 | 6.25 | 0.787 | 2.362 | 12.598 | 12.894 | 2.006 | 10.276 |

| SHAFT & KEY | | | | | |
|-------------|------|-------|-----|------|-------|
| S | ES | R | N-W | AH | U |
| 0.375 | 2.91 | 1.416 | 4 | 3.75 | 1.625 |

| TERMINAL BOX | | | | |
|--------------|-------|-------|-------|------|
| AA | XB | XC | XD | XF |
| 1 1/2 | 3.047 | 7.406 | 6.299 | 9.23 |

| FLANGE | | | | | |
|--------|-----|------|----|--------|------|
| AJ | AK | BB | BD | BF | BC |
| 7.25 | 8.5 | 0.25 | 10 | 1/2-13 | 0.25 |

PERFORMANCE CURVES

WorldWide Electric Corporation

1 (800) 808-2131

Worldwideelectric.net



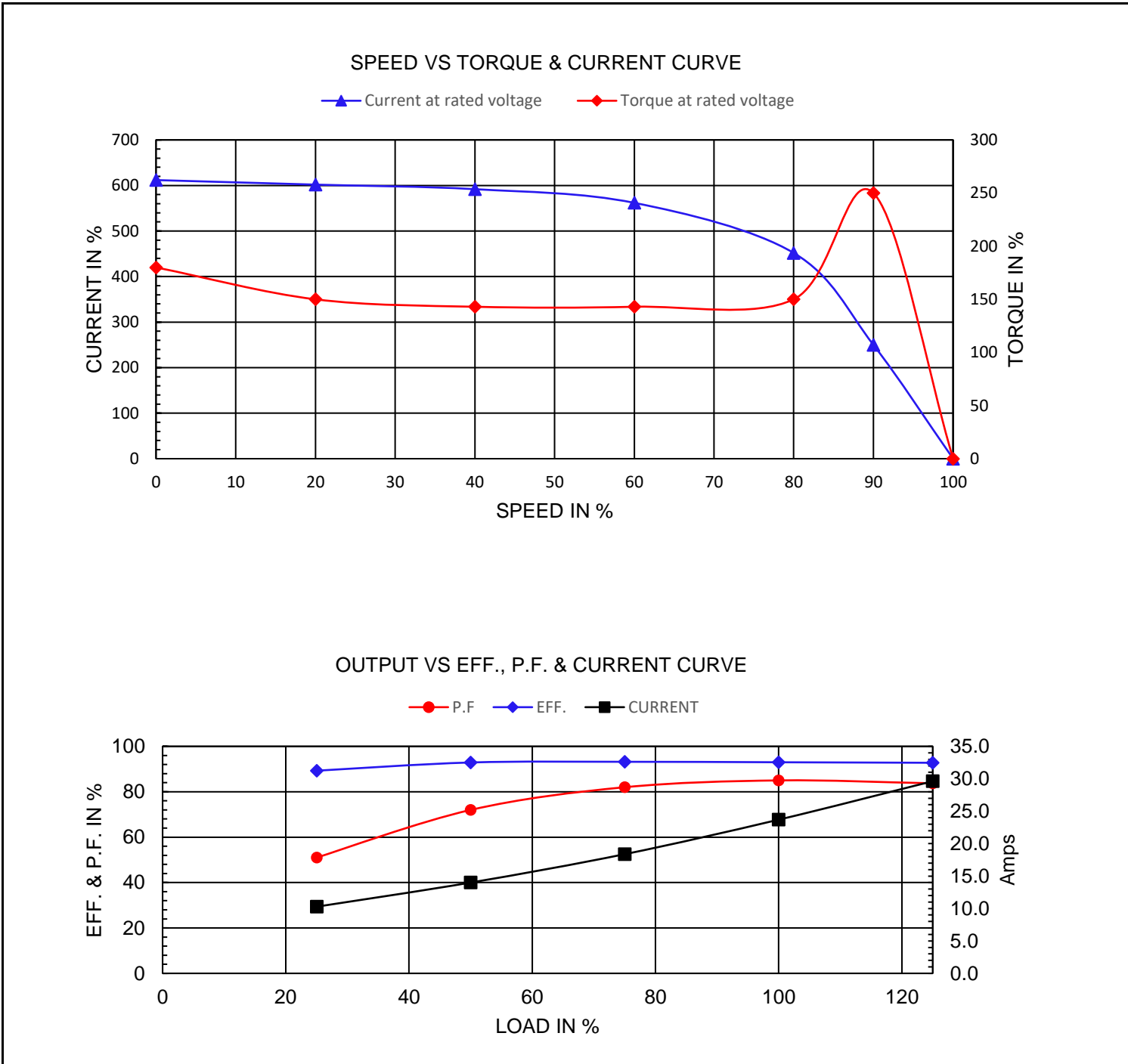
Premium Efficiency Motor:

PEWWE20-18-256TC

Document Generated: 16-Feb-2023
 Document ID:

Customer:

| | | | | | | |
|--------------------|-------|---------|------------|------|--------------|------|
| Motor Type | PEWWE | | FL Speed | 1765 | | |
| Output Rating (HP) | 20 | | LRT (%FLT) | 180 | 460 volt FLA | 23.7 |
| Full Load Torque | 59.5 | lb.ft | BDT (%FLT) | 250 | 230 volt FLA | 47.4 |
| Rotor Wk^2 | 2.23 | lb-ft^2 | | | | |



NAMEPLATE / WIRING

WorldWide Electric Corporation

1 (800) 808-2131

Worldwideelectric.net



WORLDWIDE
ELECTRIC CORPORATION

Premium Efficiency Motor:

PEWWE20-18-256TC

Document Generated: 16-Feb-2023
Document ID:

Customer:

SAMPLE NAMEPLATE DATA

| | | | | | | | |
|---------------------------------------|---------|---------------------|---------|--------------------------------|---------|-------------|---------------------|
| | | NEMA Premium | | 3-PHASE INDUCTION MOTOR | | 259277 | CE CC006A |
| Model | | | Ser No. | | | Low Voltage | |
| HP | | S.F. | | IP | | Encl | |
| Frame | | P.F. | | Code | | Type | |
| Voltage | 230/460 | Hz | | Ins Cl | | Rating | °C Amb Cont |
| Amps | | RPM | | Design | | Date | |
| Nom.Eff. | FL | % 3/4 | % | 230/460V | 10:1 CT | 20:1 VT | PWM VFD 1.0SF |
| | | | | DE Brng | | | |
| Class I DIV. 2 Groups A B C D | | | | Amb.40°C | | T3C(160°C) | |
| Class I Zone 2 IIC | | | | Amb.55°C | | T3A(180°C) | |
| | | | | ODE Brng | | | |
| | | | | Grease type: | | | |
| 50Hz | | HP | V | A | rpm | S.F1.0 | |
| WorldWide Electric Corporation | | | | | | | |

| | | | | | | | |
|----------|------------------|-------|-----------|---------|------|--------------|------------|
| Model | PEWWE20-18-256TC | | | | | | |
| HP | 20 | S.F. | 1.25 | IP | IP55 | Encl | TEFC |
| Frame | 256TC | P.F. | 0.85 | Code | G | Type | |
| Voltage | 230/460 V | Hz | 60 Hz | Ins Cl | F | Ambient | 40°C |
| Amps | 47.4/23.7 | RPM | 1765 | Design | B | DE Brng | 6309 C3 |
| Nom.Eff. | FL | 93.0% | 3/4 | 93.2% | | ODE Brng | 6209 C3 |
| | | | | | | Grease type: | SKF LGHP 2 |
| 50Hz | | 20 HP | 200/400 V | 55.9/28 | A | 1460 rpm | |