

# DATA SHEET

Premium Efficiency Motor: **PEWWE200-12-449T**

**60 Hz**

WorldWide Electric Corporation

1 (800) 808-2131

Worldwideelectric.net



Document Generated: 31-Jul-2023

Document ID:

Customer:

## MOTOR INFORMATION

HP	200
RPM	1200
Phase	3
Frequency	60 Hz
Voltage	230/460 V
Frame Size	449T
Enclosure	TEFC
Degree of Protection	IP55
Service Factor	1.25
Poles	6
Full Load Speed	1190
Insulation Class	F
Temp Rise	80°C
NEMA Code Letter	G
Duty Cycle	S1 / Continuous
Slip	0.83%
NEMA Design	B
Moment of Inertia	106 lb.ft.^2
Locked Rotor Time (Hot)	14 seconds
Sound Pressure Level	78 dB(A)
Number of Starts	2 Cold/ 1 Hot
Max Ambient Temperature	40°C
Max Elevation	1000 m.a.s.l (3300 f.a.s.l)
Mounting	F1
Rotation	Bi-Directional
Area of Classification	Class 1 Division 2 Groups A,B,C,D T3(200°C)
Inverter Rating	10:1 CT / 20:1 VT PWM Type
Standard	NEMA MG-1
Approvals	CSA-US, CE

## EFFICIENCY/POWER FACTOR

LOAD	EFF	P. F.
100%	95.8 %	0.8
75%	95.7 %	0.75
50%	95.0 %	0.64

## TORQUE

FULL LOAD	LRT	BDT
882 lb.ft.	190 %	250 %

## AMPERAGE INFORMATION

	230V	460V
Full Load Amps	489A	244A
Locked Rotor Amps	2900A	1450A
No Load Current	190A	95A
Usable at 208V	540A	

## BEARING INFORMATION

DE Bearing	NU320 C3
ODE Bearing	6320 C3
Grease Type	SKF LGHP 2
DE Regreasing Interval	2000 Hours
ODE Regreasing Interval	2700 Hours

## ADDITIONAL DATA

F2 Suitable	Yes
Shaft Material	4140 Carbon Steel
Connection Diagram	230 / 460 V - 12 Lead Δ
Approximate Weight	2664 lbs.

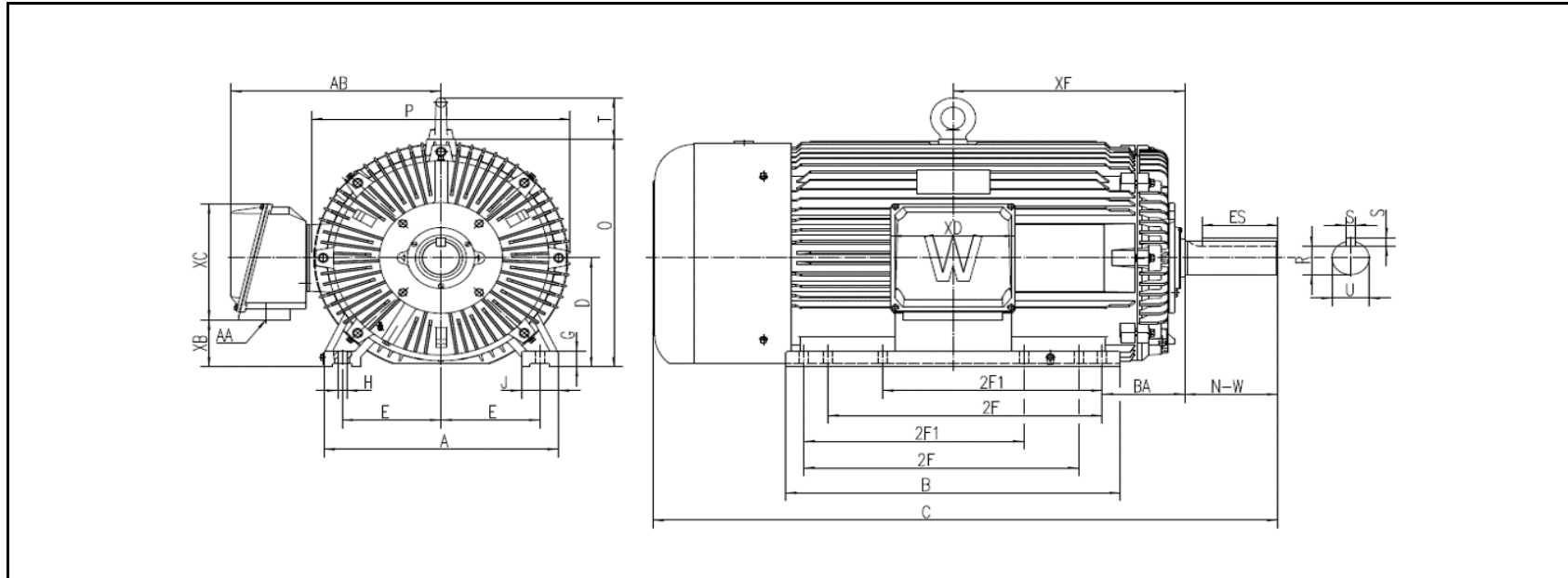
# MOTOR DRAWING

Premium Efficiency Motor: **PEWWE200-12-449T**

WorldWide Electric Corporation

1 (800) 808-2131

Worldwideelectric.net



## DIMENSION - INCHES

MOUNTING					A	B	C	D	G	J	P	O	T	AB
E	2F1	2F	H	BA										
9	20	25	0.81	7.5	21.339	30.472	56.945	11	1.575	3.346	23.554	22.969	4.213	19.171

SHAFT & KEY				
S	ES	R	N-W	U
0.875	6.91	2.88	8.5	3.375

TERMINAL BOX				
AA	XB	XC	XD	XF
2 X 3	4.7	11.813	11.339	21.087

# PERFORMANCE CURVES

WorldWide Electric Corporation

1 (800) 808-2131

Worldwideelectric.net



Premium Efficiency Motor:

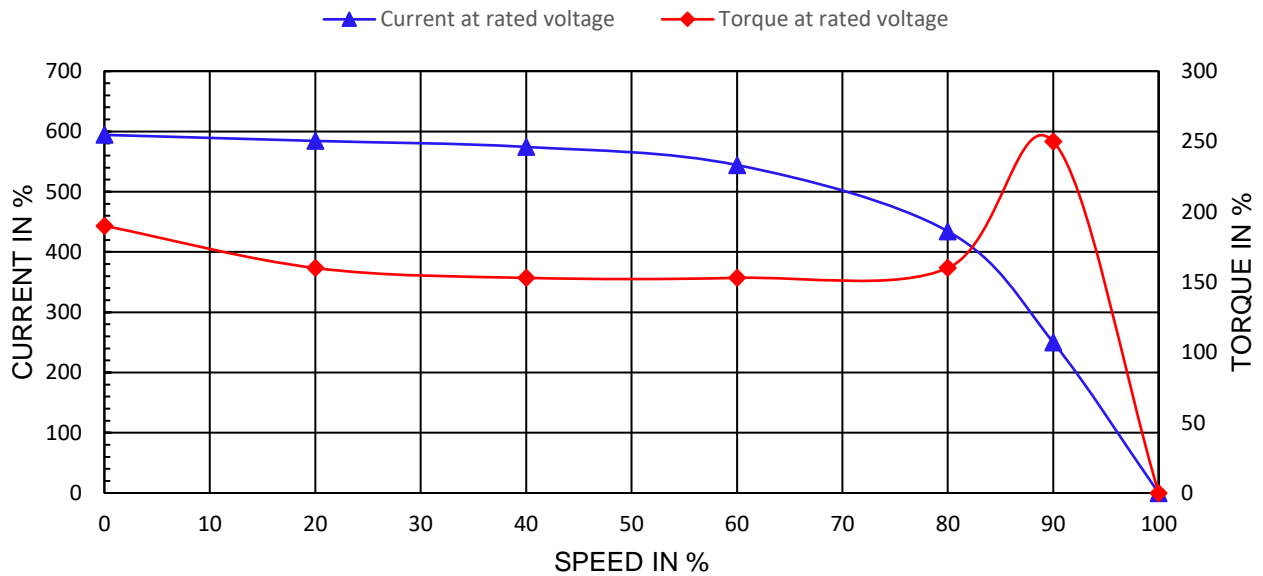
**PEWWE200-12-449T**

Document Generated: 31-Jul-2023  
 Document ID:

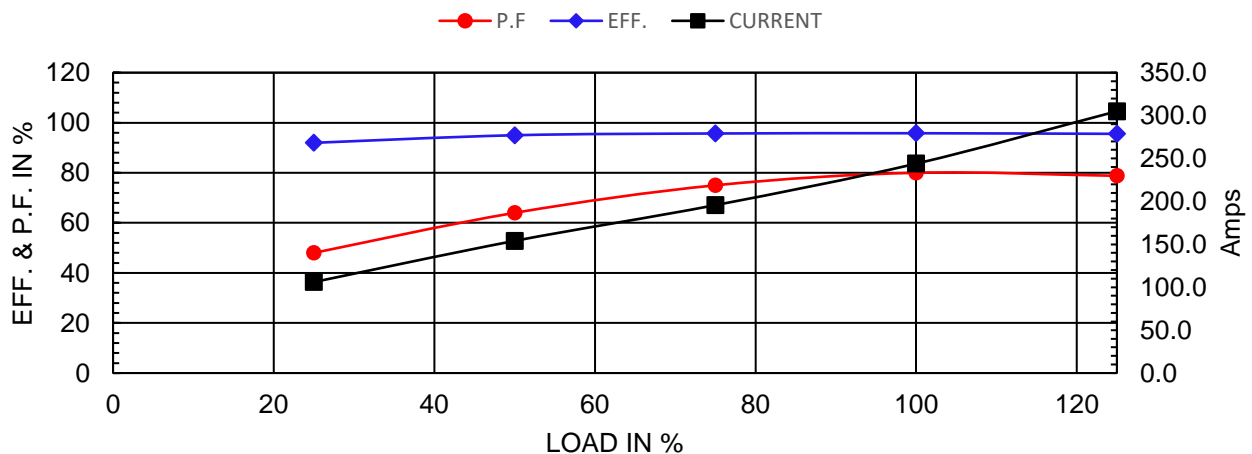
Customer:

Motor Type	PEWWE				
Output Rating (HP)	200	FL Speed	1190		
Full Load Torque	882 lb.ft	LRT (%FLT)	190	460 volt FLA	244 A
Rotor Wk^2	106 lb-ft^2	BDT (%FLT)	250	230 volt FLA	489 A

SPEED VS TORQUE & CURRENT CURVE



OUTPUT VS EFF., P.F. & CURRENT CURVE



# NAMEPLATE / WIRING

WorldWide Electric Corporation

1 (800) 808-2131

Worldwideelectric.net



Premium Efficiency Motor:

**PEWWE200-12-449T**

Document Generated: 31-Jul-2023  
Document ID:

Customer:

## SAMPLE NAMEPLATE DATA

				<b>3-PHASE INDUCTION MOTOR</b>		259277 	
Model		Ser No.					
HP		S.F.		IP		Encl	
Frame		P.F.		Code		Type	
Voltage	230/460	Hz		Ins Cl		Rating	°C Amb Cont
Amps		RPM		Design		Date	
Nom.Eff.	FL	% 3/4	% 230/460V	10:1 CT	20:1 VT	PWM	VFD 1.0SF
Class I DIV. 2 Groups A B C D Class I Zone 2 IIC				DE Brng ODE Brng Grease type: LGHP 2 (compatible with polyrex)			
		Amb.40°C					
		Amb.55°C					
50Hz	HP	V	A	rpm	1.0SF		

Model	PEWWE200-12-449T						
HP	200	S.F.	1.25	IP	IP55	Encl	TEFC
Frame	449T	P.F.	0.8	Code	G	Type	
Voltage	230/460 V	Hz	60 Hz	Ins Cl	F	Ambient	40°C
Amps	489/244	RPM	1190	Design	B	DE Brng NU320 C3	
Nom.Eff.	FL	95.8%	3/4	95.7%	ODE Brng 6320 C3		
Class 1 Division 2 Groups A,B,C,D						T3(200°C)	
						Grease type: SKF LGHP 2	
50Hz	200 HP	200/400 V	568/284	A	990 rpm		