



**WORLDWIDE ELECTRIC MOTOR DATA SHEET**

**PEWWE200-18-445/7TC**



HORSEPOWER	<b>200</b>		
RPM / POLES	<b>1800 / 4</b>		
VOLTAGE / PHASE	<b>230 / 460 V / 3</b>		
FRAME	<b>445/7TC</b>		
ENCLOSURE / DEGREE OF PROTECTION	<b>TEFC / IP55</b>		
FREQUENCY	<b>60 HZ Suitable For 50 HZ Operation With 1.0 SF</b>		
FULL LOAD SPEED	<b>1790 RPM</b>		
SERVICE FACTOR	<b>1.25</b>		
INSULATION CLASS	<b>F</b>		
FULL LOAD AMPS; 230 / 460	<b>458 / 229 A (Usable On 208V At 506 A)</b>		
LOCKED ROTOR AMPS (STARTING); 230 / 460	<b>2900 / 1450 A</b>		
NO LOAD CURRENT	<b>148 / 74 A</b>		
NEMA CODE LETTER	<b>G</b>		
EFFICIENCY / POWER FACTOR	<u>LOAD</u>	<u>EFF.</u>	<u>P.F.</u>
	<b>100 %</b>	<b>96.2%</b>	<b>0.85</b>
	<b>75 %</b>	<b>96.5%</b>	<b>0.84</b>
	<b>50 %</b>	<b>96.3%</b>	<b>0.76</b>
DUTY CYCLE	<b>S1 / Continuous</b>		
TORQUE	<u>FULL LOAD</u>	<u>LRT</u>	<u>BDT</u>
	<b>587 lb.ft.</b>	<b>180%</b>	<b>250%</b>
SLIP	<b>0.55 %</b>		
NEMA DESIGN	<b>B</b>		
MOMENT OF INERTIA	<b>61 lb.ft.<sup>2</sup></b>		
MAX. TIME LOCKED ROTOR (Hot)	<b>10 Seconds</b>		
SOUND PRESSURE LEVEL	<b>78 dB (A)</b>		
MAX. AMBIENT TEMPERATURE	<b>40° C</b>		
MAX. ELEVATION	<b>3300 Ft.</b>		
TEMPERATURE RISE (At Full Load)	<b>80° C</b>		
DE BEARING	<b>6319 C3</b>		
ODE BEARING	<b>6313 C3</b>		
REGREASING INT. - DE BEARING	<b>1500 Hours</b>		
REGREASING INT. - ODE BEARING	<b>3000 Hours</b>		
GREASE TYPE	<b>SKF LGHP 2</b>		
MOUNTING	<b>F1 (F2 Suitable)</b>		
ROTATION	<b>Bi-Directional</b>		
SHAFT MATERIAL	<b>1045 Carbon Steel</b>		
INVERTER RATING	<b>10:1 CT / 20:1 VT PWM Type</b>		
CONNECTION DIAGRAM	<b>230 / 460 V - 12 Lead Δ</b>		
AREA CLASSIFICATION	<b>Class I, Division 2, Groups A, B, C, D</b>		
APPROXIMATE WEIGHT	<b>2033 lbs.</b>		



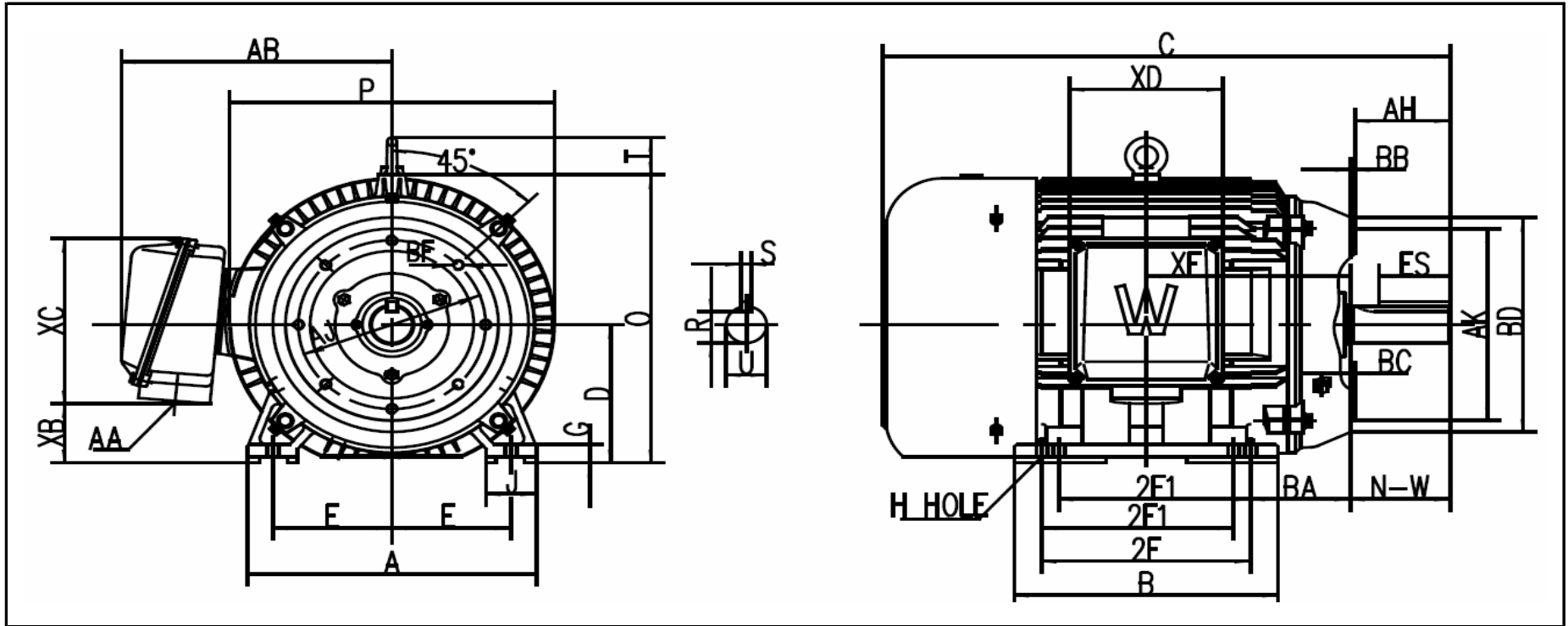
**CC006A**





# WORLDWIDE ELECTRIC MOTOR DRAWING

## PEWWE-445/7TC



DIMENSIONS - INCHES

MOUNTING					A	B	C	D	G	J	P	O	T	AB
E	2F1	2F2	H	BA										
9	16.5	20	0.81	7.5	22	24	47.4	11	1.38	3.4	23.5	23	3.47	20

KEY		KEYSET	FLANGE					SHAFT		TERMINAL BOX				
S	ES	R	AK	AJ	BF	BB	BD	N-W	U	AA	XB	XC	XD	XE
0.875	6.91	2.88	16	14	5/8 - 11	0.25	18	8.5	3.375	2 x 3	5.9	12	11.5	15.65

REVISED - 10/19/18

# PERFORMANCE CURVES

WorldWide Electric Corporation

1 (800) 808-2131

Worldwideelectric.net

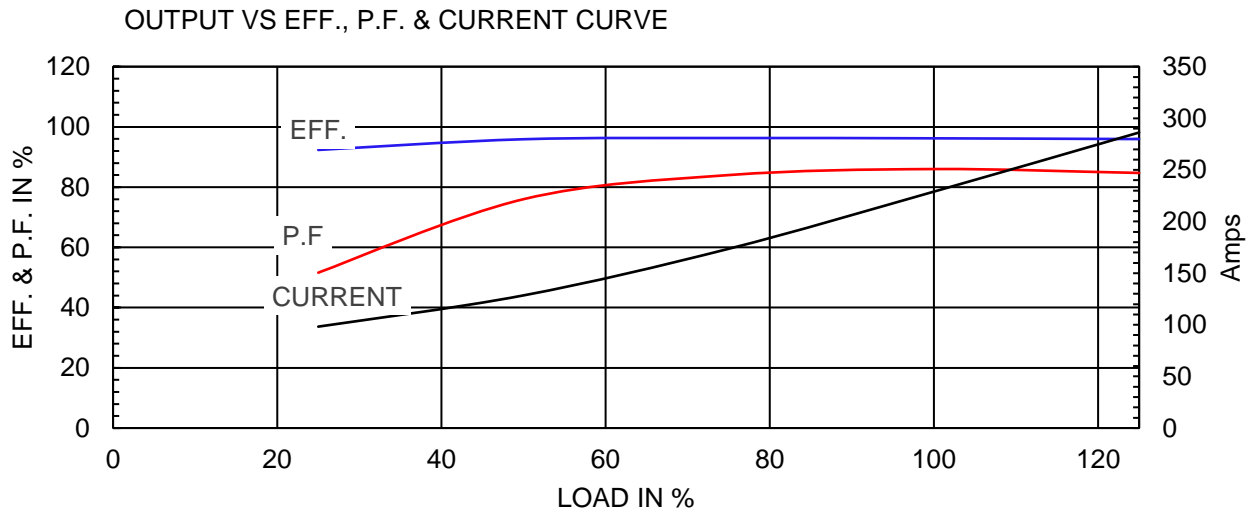
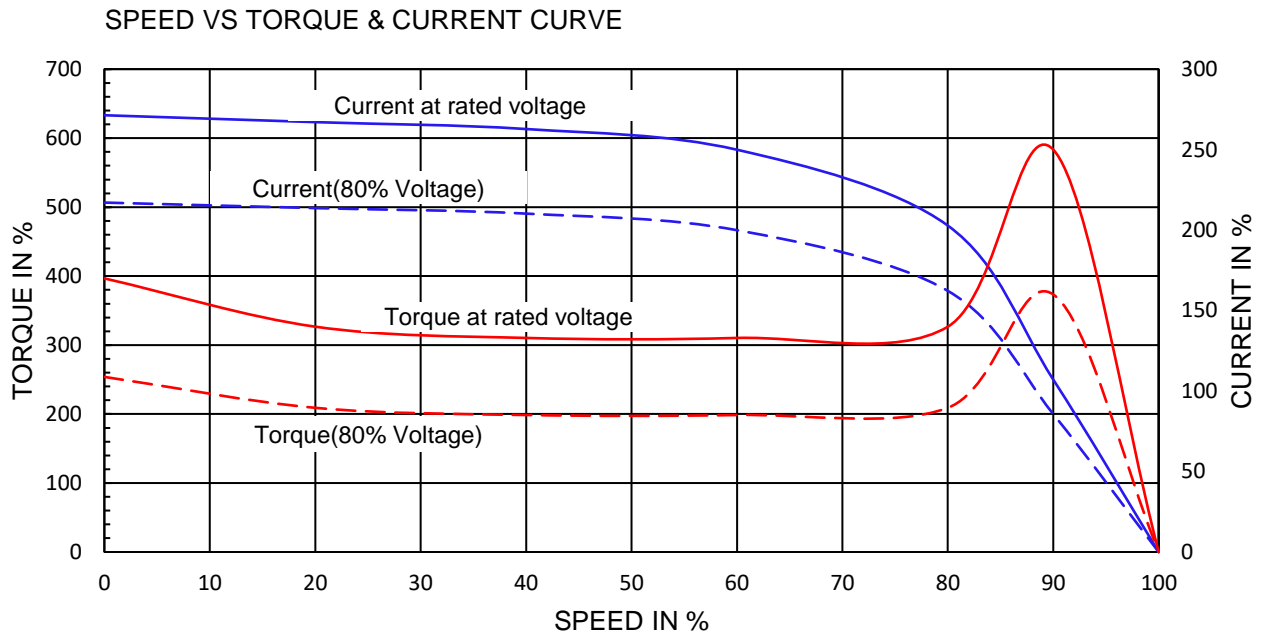


Premium Efficiency Motor: **PEWWE200-18-445/7TC**

Document Generated: 25-Jun-2020  
 Document ID:

Customer:

Motor Type	PEWWE		FL Speed	1790	
Output Rating (HP)	200		LRT (%FLT)	170	460 volt FLA 229
Full Load Torque	587 lb.ft		BDT (%FLT)	250	230 volt FLA 458A
Rotor Wk <sup>2</sup>	64.3 lb-ft <sup>2</sup>				



# NAMEPLATE / WIRING

WorldWide Electric Corporation

1 (800) 808-2131

Worldwideelectric.net



Premium Efficiency Motor: **PEWWE200-18-445/7TC**

Document Generated: 24-Sep-2019  
Document ID:

Customer:

## SAMPLE NAMEPLATE DATA

		<b>PREMIUM EFFICIENCY</b> <b>3-PHASE INDUCTION MOTOR</b>				259277 US Energy Verified																																			
Model: PEWWE200-18-445/7TC		Ser No.: ZP		CC006A ISO9001																																					
HP: 200	S.F.: 1.25	Type:	Encl: TEFC IP55	<table border="1"> <tr> <th colspan="3">Low Voltage</th> </tr> <tr> <td>6</td><td>4</td><td>5</td> </tr> <tr> <td>7</td><td>8</td><td>9</td> </tr> <tr> <td>12</td><td>10</td><td>11</td> </tr> <tr> <td>1</td><td>2</td><td>3</td> </tr> <tr> <td>L1</td><td>L2</td><td>L3</td> </tr> <tr> <th colspan="3">High Voltage</th> </tr> <tr> <td>4</td><td>5</td><td>6</td> </tr> <tr> <td>7</td><td>8</td><td>9</td> </tr> <tr> <td>12</td><td>10</td><td>11</td> </tr> <tr> <td>1</td><td>2</td><td>3</td> </tr> <tr> <td>L1</td><td>L2</td><td>L3</td> </tr> </table>		Low Voltage			6	4	5	7	8	9	12	10	11	1	2	3	L1	L2	L3	High Voltage			4	5	6	7	8	9	12	10	11	1	2	3	L1	L2	L3
Low Voltage																																									
6	4	5																																							
7	8	9																																							
12	10	11																																							
1	2	3																																							
L1	L2	L3																																							
High Voltage																																									
4	5	6																																							
7	8	9																																							
12	10	11																																							
1	2	3																																							
L1	L2	L3																																							
Frame: 445/7TC	P.F.: 0.86	Ins Cl: F	Rating: 40°C Amb Cont																																						
Voltage: 230/460	Hz: 60 Hz	Design: B	DE Brng: NU319 C3																																						
Amps: 458A / 229A	RPM: 1790	Code: G	ODE Brng: 6313 C3																																						
Nom.Eff. FL 96.2 % 3/4 96.3 % 230/460V		Date:																																							
Usable on 208V network at 501 Amps 1.0SF		Class I DIV. 2 Groups A B C D		Amb.40°C T3A(180°C)																																					
10:1 CT 20:1 VT PWM VFD 1.0SF		Class I Zone 2 IIC		Amb.55°C T3(200°C)																																					
50Hz 200 HP #N/A V #N/A / #N/A A #N/A rpm 1.0SF																																									
<b>WorldWide Electric Corporation</b>																																									

