



WORLDWIDE ELECTRIC MOTOR DATA SHEET

PEWWE250-12-586/7



HORSEPOWER	250		
RPM / POLES	1200 / 6		
VOLTAGE / PHASE	460 V / 3		
FRAME	586/7T		
ENCLOSURE / DEGREE OF PROTECTION	TEFC / IP55		
FREQUENCY	60 HZ		
FULL LOAD SPEED	1190 RPM		
SERVICE FACTOR	1.15		
INSULATION CLASS	F		
FULL LOAD AMPS	287 A		
LOCKED ROTOR AMPS (STARTING)	1825 A		
NO LOAD CURRENT	112 A		
NEMA CODE LETTER	G		
EFFICIENCY / POWER FACTOR	<u>LOAD</u>	<u>EFF.</u>	<u>P.F.</u>
	100 %	95.8%	0.85
	75 %	95.8%	0.82
	50 %	95.4%	0.72
DUTY CYCLE	S1 / Continuous		
TORQUE	<u>FULL LOAD</u>	<u>LRT</u>	<u>BDT</u>
	1103 lb.ft.	200%	250%
SLIP	0.83 %		
NEMA DESIGN	B		
MOMENT OF INERTIA	178 lb.ft.²		
MAX. TIME LOCKED ROTOR (Hot)	13 Seconds		
SOUND PRESSURE LEVEL	87 dB (A)		
MAX. AMBIENT TEMPERATURE	40° C		
MAX. ELEVATION	3300 Ft.		
TEMPERATURE RISE (At Full Load)	80° C		
DE BEARING	NU326 C3		
ODE BEARING	6324 C3		
REGREASING INT. - DE BEARING	1,500 Hours		
REGREASING INT. - ODE BEARING	2,200 Hours		
GREASE TYPE	Mobil Polyrex EM		
MOUNTING	F1		
ROTATION	Bi-Directional		
SHAFT MATERIAL	4140 Carbon Steel		
INVERTER RATING	10:1 CT / 20:1 VT PWM Type		
CONNECTION DIAGRAM	460 V - 6 Lead Δ		
AREA CLASSIFICATION	Class I, Division 2, Groups A, B, C, D		
APPROXIMATE WEIGHT	3737 lbs.		



CC006A

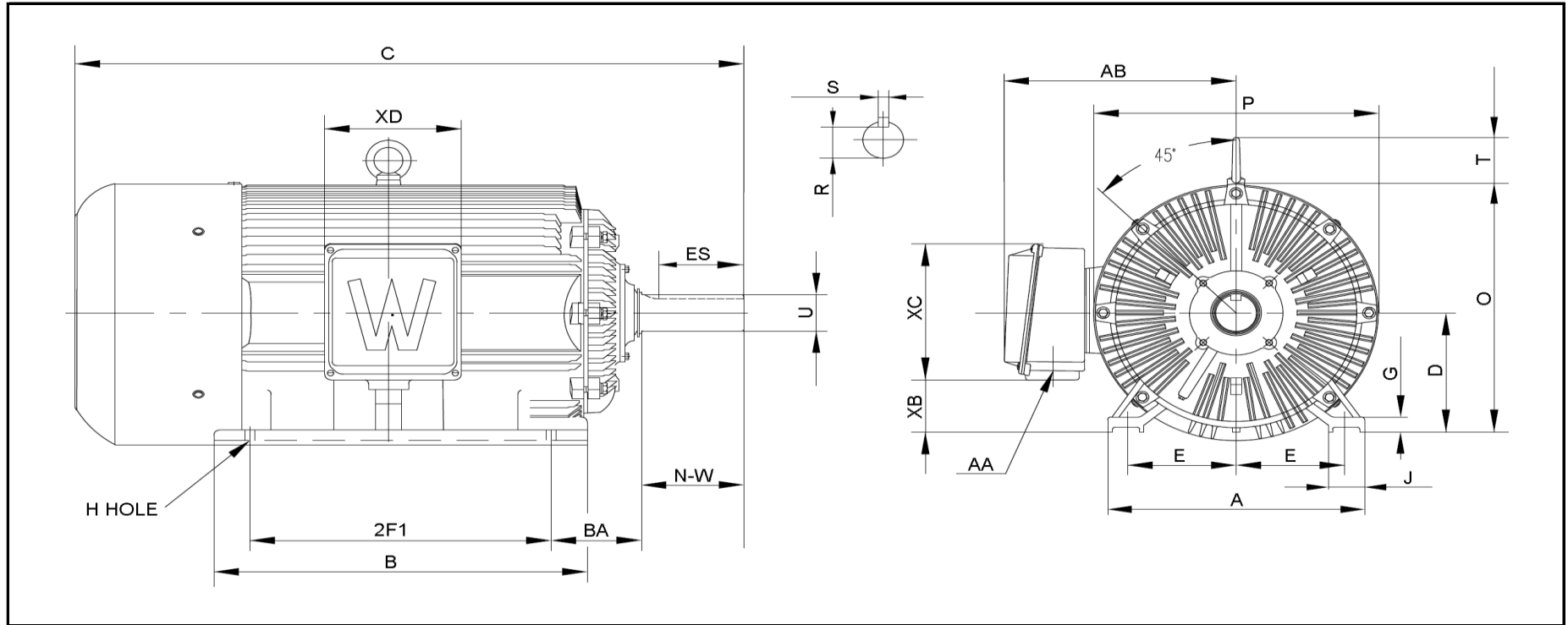


REVISED - JULY 30, 2018



WORLDWIDE ELECTRIC MOTOR DRAWING

PEWWE-586/7-6P,8P



DIMENSIONS - INCHES

MOUNTING					A	B	C	D	G	J	P	O	T	AB
E	2F1	2F2	H	BA										
11.5	22	25	1.125	10	28	33.85	66	14.5	2.05	5	30.5	28.9	5	25

KEY		KEYSET	SHAFT		TERMINAL BOX				
S	ES	R	N-W	U	AA	XB	XC	XD	XE
1	10	3.309	11.625	3.875	2 x 3"	5	16.5	14.5	---

PERFORMANCE CURVES

WorldWide Electric Corporation

1 (800) 808-2131

Worldwideelectric.net



Premium Efficiency Motor:

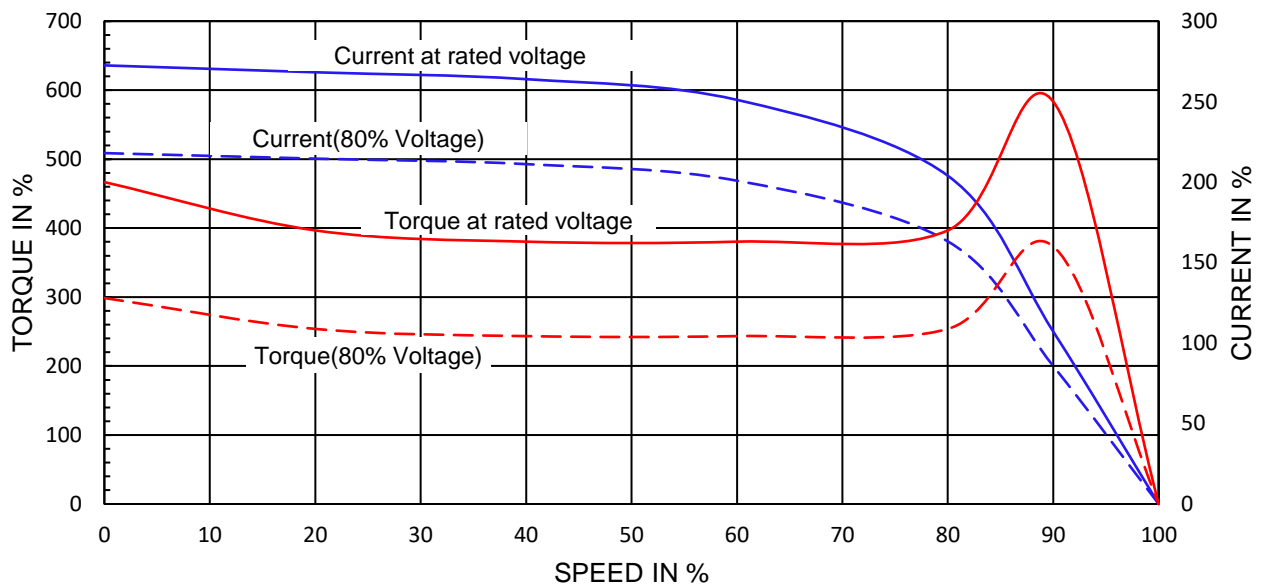
PEWWE250-12-586/7

Document Generated: 25-Jun-2020
 Document ID:

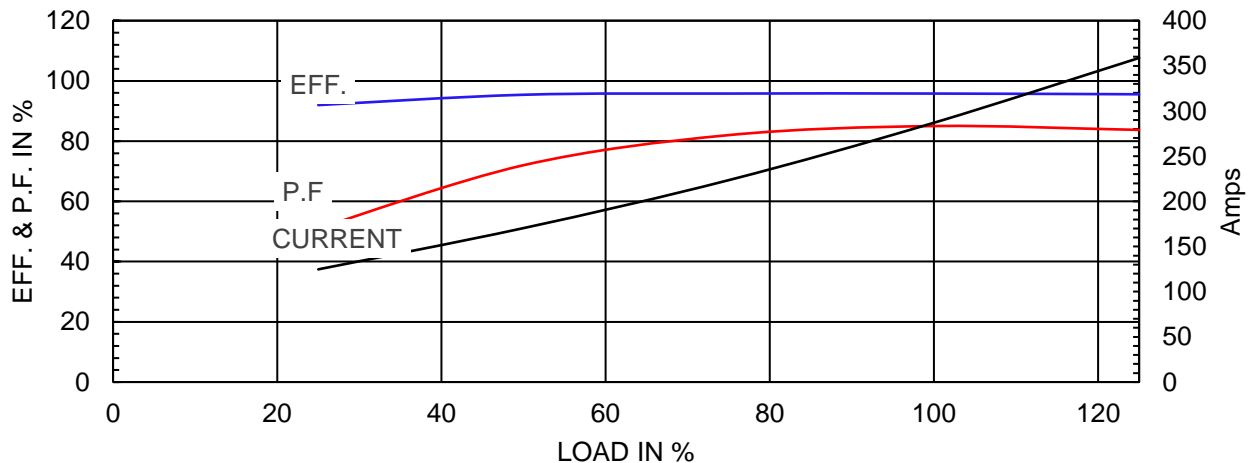
Customer:

Motor Type	PEWWE		FL Speed	1190	
Output Rating (HP)	250		LRT (%FLT)	200	460 volt FLA 287
Full Load Torque	1103 lb.ft		BDT (%FLT)	250	230 volt FLA A
Rotor Wk ²	178 lb-ft ²				

SPEED VS TORQUE & CURRENT CURVE



OUTPUT VS EFF., P.F. & CURRENT CURVE






NAMEPLATE / WIRING

Premium Efficiency Motor: **PEWWE250-12-586/7**

Document Generated: 15-Oct-2019
 Document ID:

Customer:

SAMPLE NAMEPLATE DATA

 		PREMIUM EFFICIENCY 3-PHASE INDUCTION MOTOR			259277 	CC006A ISO9001	
Model	PEWWE250-12-586/7	Ser No.	ZP				
HP	250	S.F.	1.15	Type		Encl	TEFC IP55
Frame	586/7	P.F.	0.85	Ins Cl	F	Rating	40°C Amb Cont
Voltage	460 V	Hz	60 Hz	Design	B	DE Brng	NU326 C3
Amps	287A	RPM	1190	Code	G	ODE Brng	6324 C3
Nom. Eff.	FL 95.8 %	3/4 95.8 %	460	V		Date	
Class I Division 2 Groups A B C D				Amb.40°C		T3(200°C)	
10:1 CT 20:1 VT PWM VFD 1.0SF							
WorldWide Electric Corporation							

Connection

6	4	5
1	2	3
L1	L2	L3

