

# DATA SHEET

Premium Efficiency Motor: **PEWWE30-36-286T**

**60 Hz**

WorldWide Electric Corporation

1 (800) 808-2131

Worldwideelectric.net



Document Generated: 15-Feb-2023  
Document ID:

Customer:

MOTOR INFORMATION	
HP	30
RPM	3600
Phase	3
Frequency	60 Hz
Voltage	230/460 V
Frame Size	286T
Enclosure	TEFC
Degree of Protection	IP55
Service Factor	1.25
Poles	2
Full Load Speed	3550
Insulation Class	F
Temp Rise	80°C
NEMA Code Letter	G
Duty Cycle	S1 / Continuous
Slip	1.40%
NEMA Design	B
Moment of Inertia	1.61 lb.ft.^2
Locked Rotor Time (Hot)	18 seconds
Sound Pressure Level	75 dB(A)
Number of Starts	2 Cold/ 1 Hot
Max Ambient Temperature	40°C
Max Elevation	1000 m.a.s.l (3300 f.a.s.l)
Mounting	F1
Rotation	Bi-Directional
Area of Classification	Class I, Division 2, Groups A, B, C, D
Inverter Rating	10:1 CT / 20:1 VT PWM Type
Standard	NEMA MG-1
Approvals	CSA-US, CE

EFFICIENCY/POWER FACTOR		
LOAD	EFF	P. F.
100%	91.7 %	0.88
75%	92.4 %	0.86
50%	92.1 %	0.81

TORQUE		
FULL LOAD	LRT	BDT
44.4 lb.ft.	150 %	230 %

AMPERAGE INFORMATION		
	230V	460V
Full Load Amps	69.6A	34.8A
Locked Rotor Amps	435A	217.5A
No Load Current	21.2A	10.6A
Usable at 208V	77A	

BEARING INFORMATION	
DE Bearing	6311 C3
ODE Bearing	6309 C3
Grease Type	SKF LGHP 2
DE Regreasing Interval	2400 Hours
ODE Regreasing Interval	3000 Hours

ADDITIONAL DATA	
F2 Suitable	Yes
Shaft Material	1045 Carbon Steel
Connection Diagram	230 / 460 V - 12 Lead Δ
Approximate Weight	373 lbs.

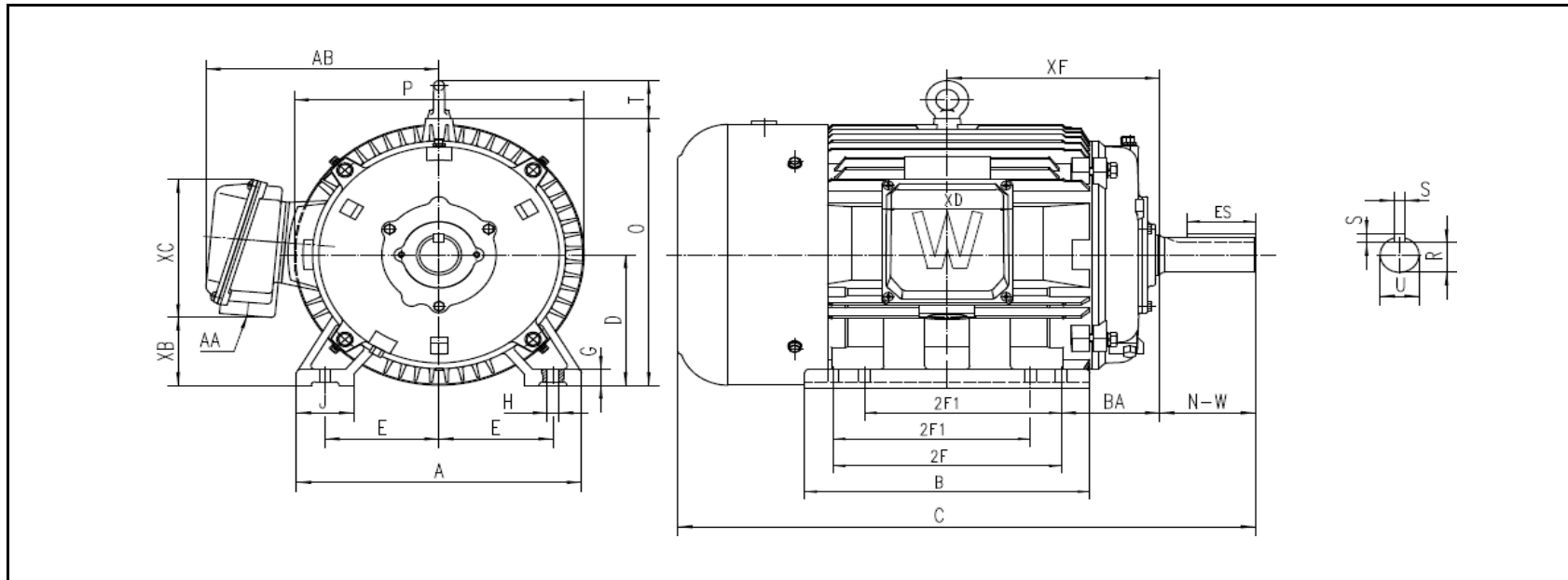
# MOTOR DRAWING

Premium Efficiency Motor: **PEWWE30-36-286T**

WorldWide Electric Corporation

1 (800) 808-2131

Worldwideelectric.net



## DIMENSION - INCHES

MOUNTING					A	B	C	D	G	J	P	O	T	AB
E	2F1	2F	H	BA										
5.5	9.5	11	0.53	4.75	13.74	13.74	27.858	7	0.866	2.756	13.976	14.283	2.047	11.239

SHAFT & KEY				
S	ES	R	N-W	U
0.5	3.28	1.591	4.62	1.875

TERMINAL BOX				
AA	XB	XC	XD	XF
1.5	3.645	7.381	6.299	10.248

# PERFORMANCE CURVES

WorldWide Electric Corporation

1 (800) 808-2131

Worldwideelectric.net

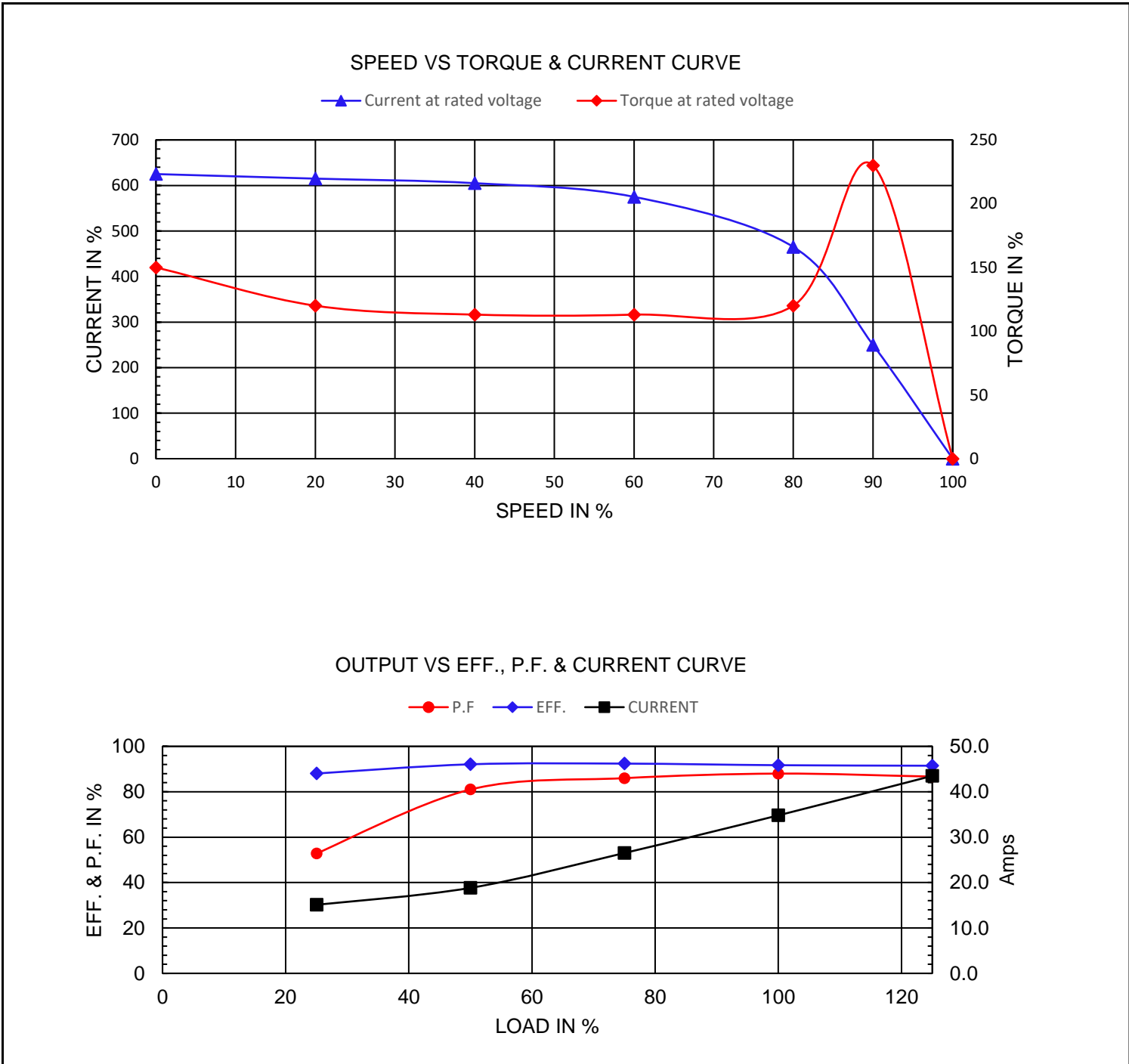


Premium Efficiency Motor:

**PEWWE30-36-286T**

Document Generated:	15-Feb-2023	Customer:	
Document ID:			

Motor Type	PEWWE			FL Speed	3550		
Output Rating (HP)	30			LRT (%FLT)	150	460 volt FLA	34.8 A
Full Load Torque	44.4	lb.ft		BDT (%FLT)	230	230 volt FLA	69.6 A
Rotor Wk <sup>2</sup>	1.61	lb-ft <sup>2</sup>					



# NAMEPLATE / WIRING

WorldWide Electric Corporation

1 (800) 808-2131

Worldwideelectric.net



Premium Efficiency Motor:

**PEWWE30-36-286T**

Document Generated: 15-Feb-2023  
Document ID:

Customer:

## SAMPLE NAMEPLATE DATA

		<b>NEMA Premium</b>		<b>3-PHASE INDUCTION MOTOR</b>		259277		<b>CE</b>															
Model		Ser No.				<table border="1"> <tr><td>6</td><td>4</td><td>5</td></tr> <tr><td>7</td><td>8</td><td>9</td></tr> <tr><td>12</td><td>10</td><td>11</td></tr> <tr><td>1</td><td>2</td><td>3</td></tr> <tr><td>L1</td><td>L2</td><td>L3</td></tr> </table>			6	4	5	7	8	9	12	10	11	1	2	3	L1	L2	L3
6	4	5																					
7	8	9																					
12	10	11																					
1	2	3																					
L1	L2	L3																					
HP	S.F.	IP	Encl																				
Frame	P.F.	Code	Type																				
Voltage	Hz	Ins Cl	Rating	°C Amb Cont																			
Amps	RPM	Design	Date																				
Nom. Eff.	FL	% 3/4	% 230/460V	10:1 CT	20:1 VT	PWM	VFD	1.0SF															
Class I DIV. 2 Groups A B C D		Amb.40°C	T3C(160°C)	DE Brng																			
Class I Zone 2 IIC		Amb.55°C	T3A(180°C)	ODE Brng																			
		Grease type: LGHP 2 (compatible with polyrex)																					
50Hz		HP	V	A	rpm	S.F1.0																	
<b>WorldWide Electric Corporation</b>																							

Model	PEWWE30-36-286T								
HP	30	S.F.	1.25	IP	IP55	Encl	TEFC		
Frame	286T	P.F.	0.88	Code	G	Type			
Voltage	230/460 V	Hz	60 Hz	Ins Cl	F	Ambient	40°C		
Amps	69.6/34.8	RPM	3550	Design	B	DE Brng 6311 C3			
Nom. Eff.	FL	91.7%	3/4	92.4%	ODE Brng 6309 C3				
						Grease type: SKF LGHP 2			
50Hz		30 HP	200/400 V	80.4/40.2 A	2945 rpm				