

# DATA SHEET

Premium Efficiency Motor: **PEWWE350-18-586/7**

**60 Hz**

WorldWide Electric Corporation

1 (800) 808-2131

Worldwideelectric.net



Document Generated: 15-Feb-2023  
Document ID:

Customer:

MOTOR INFORMATION	
HP	350
RPM	1800
Phase	3
Frequency	60 Hz
Voltage	460 V
Frame Size	586/7
Enclosure	TEFC
Degree of Protection	IP55
Service Factor	1.15
Poles	4
Full Load Speed	1790
Insulation Class	F
Temp Rise	80°C
NEMA Code Letter	G
Duty Cycle	S1 / Continuous
Slip	0.56%
NEMA Design	B
Moment of Inertia	157 lb.ft.^2
Locked Rotor Time (Hot)	22 seconds
Sound Pressure Level	86 dB(A)
Number of Starts	2 Cold/ 1 Hot
Max Ambient Temperature	40°C
Max Elevation	1000 m.a.s.l (3300 f.a.s.l)
Mounting	F1
Rotation	Bi-Directional
Area of Classification	Class I, Division 2, Groups A, B, C, D
Inverter Rating	10:1 CT / 20:1 VT PWM Type
Standard	NEMA MG-1
Approvals	CSA-US, CE

EFFICIENCY/POWER FACTOR		
LOAD	EFF	P. F.
100%	96.2 %	0.91
75%	96.2 %	0.89
50%	96.0 %	0.85

TORQUE		
FULL LOAD	LRT	BDT
1027 lb.ft.	190 %	250 %

AMPERAGE INFORMATION		
	230V	460V
Full Load Amps	--A	374A
Locked Rotor Amps	--A	2550A
No Load Current	--A	91A
Usable at 208V	--A	

BEARING INFORMATION	
DE Bearing	NU326 C3
ODE Bearing	6324 C3
Grease Type	SKF LGHP 2
DE Regreasing Interval	1000 Hours
ODE Regreasing Interval	1500 Hours

ADDITIONAL DATA	
F2 Suitable	Yes
Shaft Material	4140 Carbon Steel
Connection Diagram	460 V - 6 Lead Δ
Approximate Weight	4070 lbs.

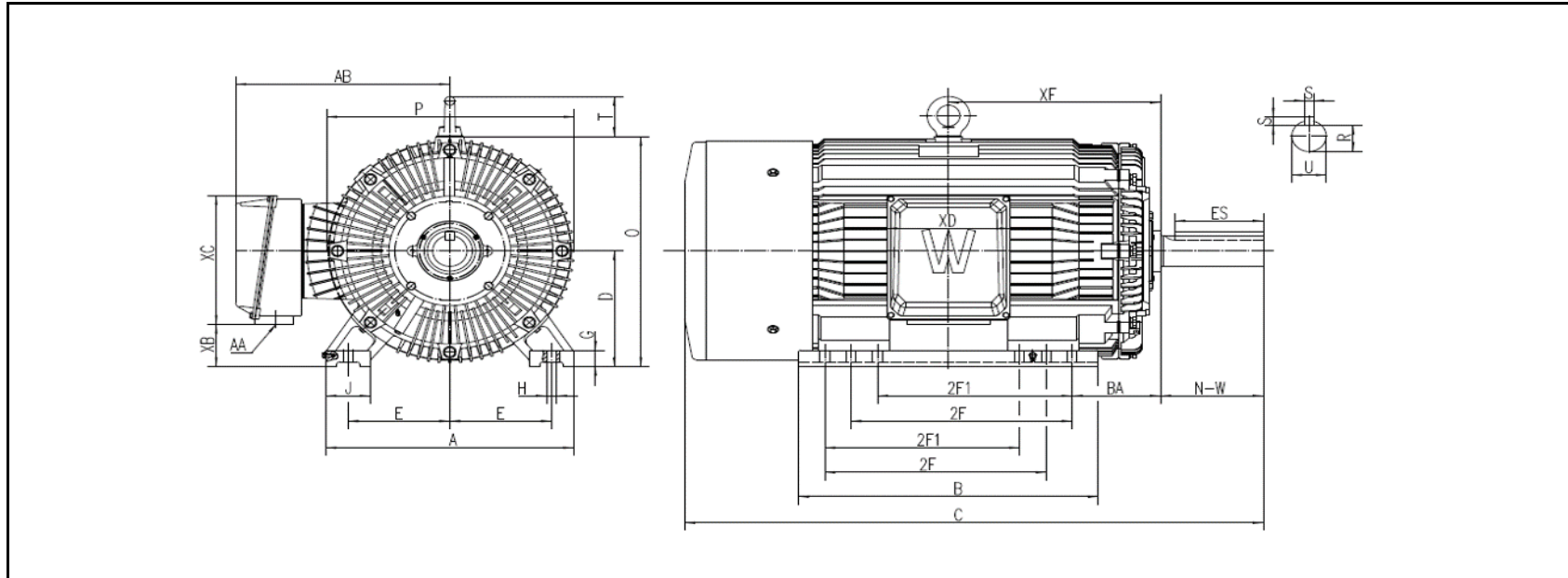
# MOTOR DRAWING

Premium Efficiency Motor: **PEWWE350-18-586/7**

WorldWide Electric Corporation

1 (800) 808-2131

Worldwideelectric.net



## DIMENSION - INCHES

MOUNTING					A	B	C	D	G	J	P	O	T	AB
E	2F1	2F	H	BA										
11.5	22	25	1.125	10	27.992	33.858	66.231	14.5	2.047	5	28.011	28.87	5.02	24.212

SHAFT & KEY				
S	ES	R	N-W	U
1	10	3.309	11.625	3.875

TERMINAL BOX				
AA	XB	XC	XD	XF
2 X 3	5.287	16.158	13.937	23.976

# PERFORMANCE CURVES

WorldWide Electric Corporation

1 (800) 808-2131

Worldwideelectric.net



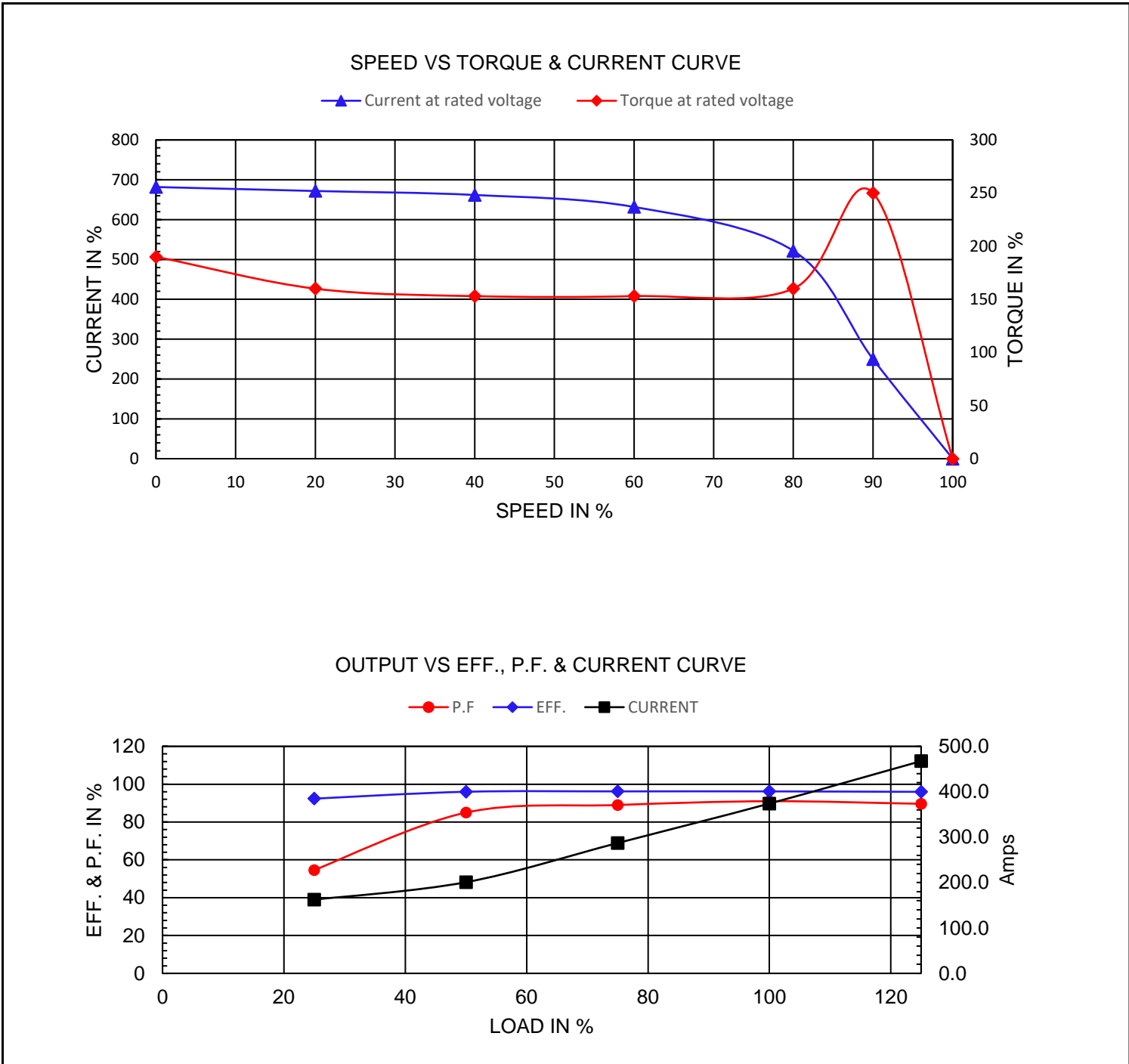
Premium Efficiency Motor:

**PEWWE350-18-586/7**

Document Generated: 15-Feb-2023  
 Document ID:

Customer:

Motor Type	PEWWE		FL Speed	1790	
Output Rating (HP)	350		LRT (%FLT)	190	460 volt FLA 374 A
Full Load Torque	1027 lb.ft		BDT (%FLT)	250	230 volt FLA -- A
Rotor Wk^2	157 lb-ft^2				



# NAMEPLATE / WIRING

WorldWide Electric Corporation

1 (800) 808-2131

Worldwideelectric.net



Premium Efficiency Motor:

**PEWWE350-18-586/7**

Document Generated: 15-Feb-2023  
Document ID:

Customer:

## SAMPLE NAMEPLATE DATA

				<b>3-PHASE INDUCTION MOTOR</b>		259277 				
Model		Ser No.		Connection						
HP		S.F.		IP		Encl				
Frame		P.F.		Code		Type				
Voltage		Hz		Ins Cl		Rating		°C Amb Cont		
Amps		RPM		Design		Date				
Nom.Eff.	FL	% 3/4	%	V	10:1 CT	20:1 VT	PWM	VFD	1.0SF	
Class I DIV. 2 Groups A B C D				Amb.40°C						
DE Brng				Grease type: LGHP 2						
ODE Brng				(compatible with polyrex)						

Model	PEWWE350-18-586/7									
HP	350	S.F.	1.15	IP	IP55	Encl	TEFC			
Frame	586/7	P.F.	0.91	Code	G	Type				
Voltage	460 V	Hz	60 Hz	Ins Cl	F	Ambient	40°C			
Amps	374	RPM	1790	Design	B	DE Brng NU326 C3				
Nom.Eff.	FL	96.2%	3/4	96.2%	ODE Brng 6324 C3					
						Grease type: SKF LGHP 2				
50Hz	--	HP	--	--	A	-- rpm				