



WORLDWIDE ELECTRIC MOTOR DATA SHEET

PEWWE400-12-586/7UZ



HORSEPOWER	400		
RPM / POLES	1200 / 6		
VOLTAGE / PHASE	460V / 3		
FRAME	586/7UZ		
ENCLOSURE / DEGREE OF PROTECTION	TEFC / IP55		
FREQUENCY	60 HZ		
FULL LOAD SPEED	1190 RPM		
SERVICE FACTOR	1.15		
INSULATION CLASS	F		
FULL LOAD AMPS	449 A		
LOCKED ROTOR AMPS (STARTING)	2900 A		
NO LOAD CURRENT	137 A		
NEMA CODE LETTER	F		
EFFICIENCY / POWER FACTOR	<u>LOAD</u>	<u>EFF.</u>	<u>P.F.</u>
	100 %	95.8%	0.87
	75 %	96.0%	0.85
	50 %	95.8%	0.78
DUTY CYCLE	S1 / Continuous		
TORQUE	<u>FULL LOAD</u>	<u>LRT</u>	<u>BDT</u>
	1765 lb.ft.	190%	260%
SLIP	0.83 %		
NEMA DESIGN	Bi-Directional		
MOMENT OF INERTIA	275 lb.ft. ²		
MAX. TIME LOCKED ROTOR (Hot)	14 Seconds		
SOUND PRESSURE LEVEL	78 dB (A)		
MAX. AMBIENT TEMPERATURE	40° C		
MAX. ELEVATION	3300 Ft.		
TEMPERATURE RISE (At Full Load)	80° C		
DE BEARING	NU326 C3		
ODE BEARING	6324 C3		
REGREASING INT. - DE BEARING	1,500 Hours		
REGREASING INT. - ODE BEARING	2,200 Hours		
GREASE TYPE	Mobil Polyrex EM		
MOUNTING	F1		
ROTATION	Bi-Directional		
SHAFT MATERIAL	4140 Carbon Steel		
INVERTER RATING	101 CT / 20:1 VT PWM Type		
CONNECTION DIAGRAM	460 V - 6 Lead Δ		
AREA CLASSIFICATION	Class I, Division 2, Groups A, B, C, D		
APPROXIMATE WEIGHT	4707 lbs.		



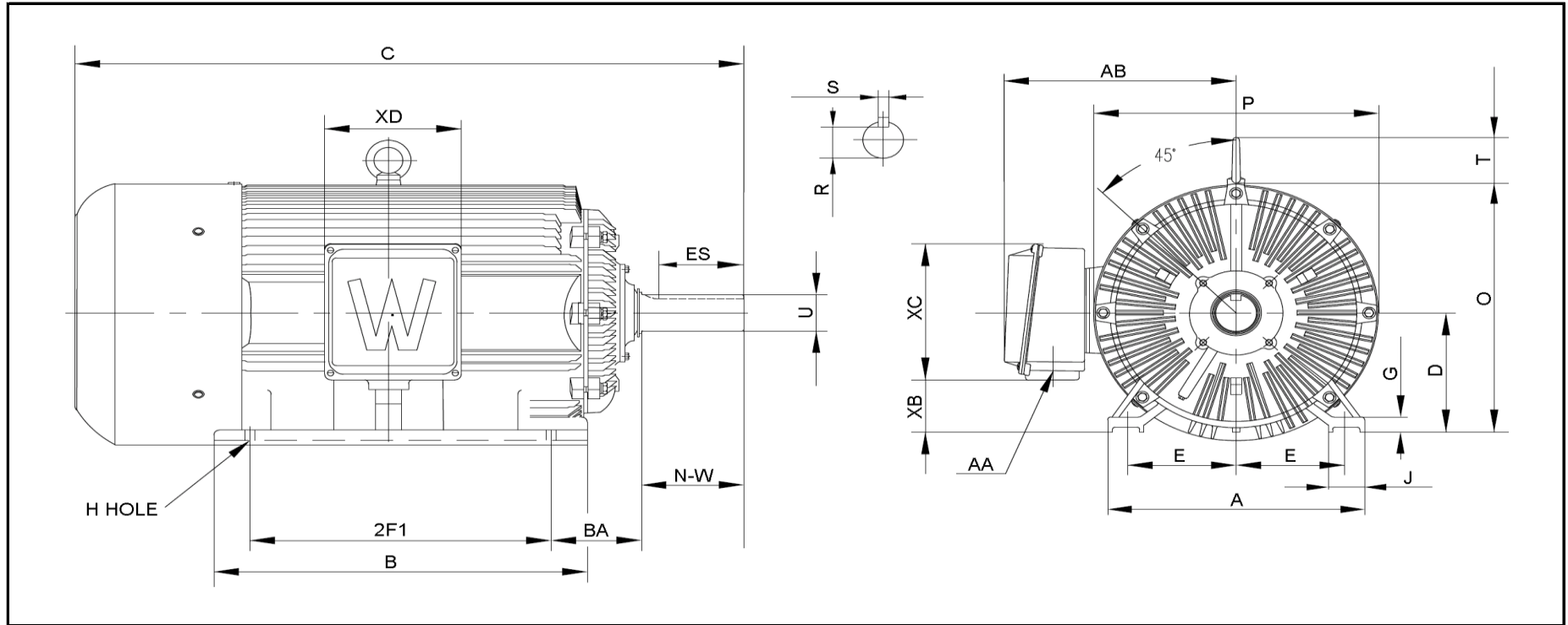
CC006A





WORLDWIDE ELECTRIC MOTOR DRAWING

PEWWE-586/7UZ-6P,8P



DIMENSIONS - INCHES

MOUNTING					A	B	C	D	G	J	P	O	T	AB
E	2F1	2F2	H	BA										
11.5	22	25	1.125	10	28	33.8	66	14.5	2.05	5	28.2	28.9	5	25

KEY		KEYSET	SHAFT		TERMINAL BOX				
S	ES	R	N-W	U	AA	XB	XC	XD	XE
1	10	3.817	11.625	4.375	2 x 3"	5	16.5	14.5	---

PERFORMANCE CURVES

WorldWide Electric Corporation

1 (800) 808-2131

Worldwideelectric.net

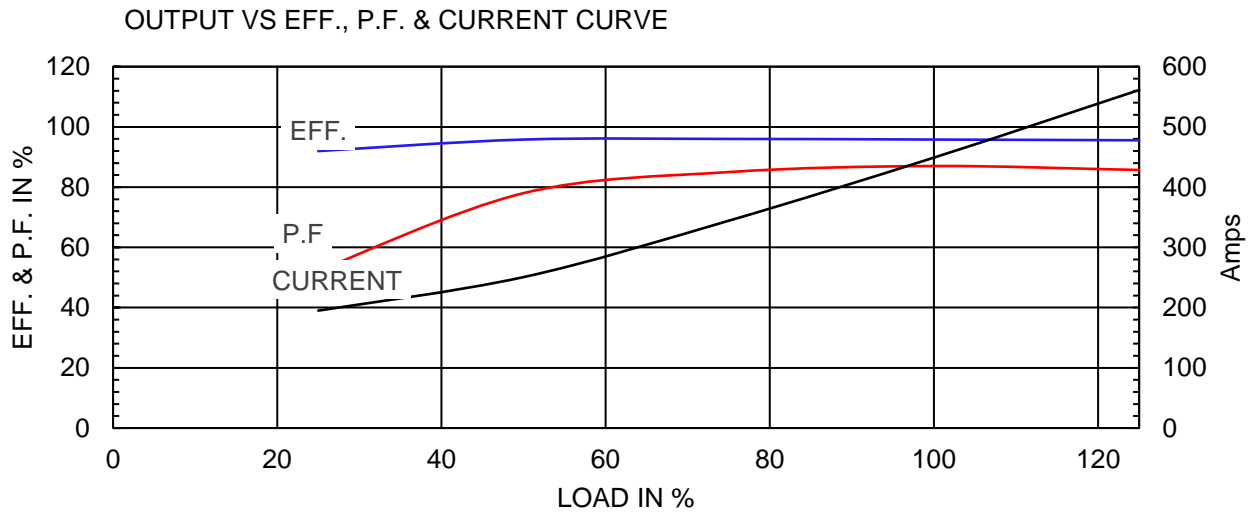
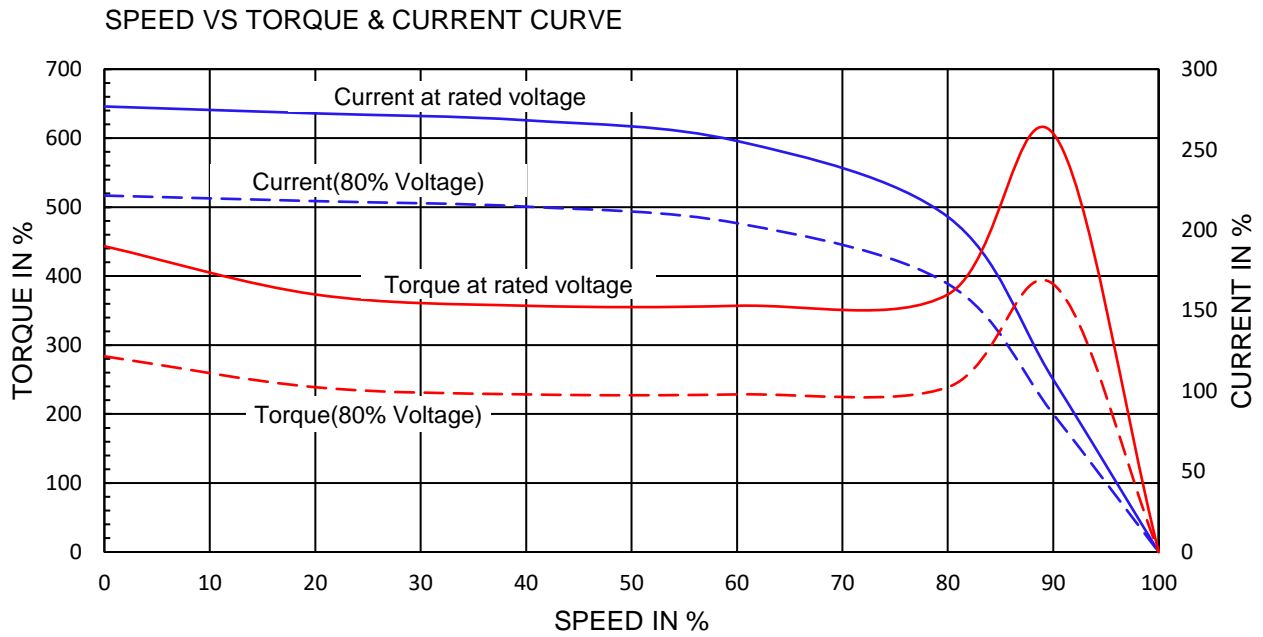


Premium Efficiency Motor:

PEWWE400-12-586/7UZ

Document Generated:	25-Jun-2020	Customer:	
Document ID:			

Motor Type	PEWWE		
Output Rating (HP)	400	FL Speed	1190
Full Load Torque	1765 lb.ft	LRT (%FLT)	190
		460 volt FLA	449
Rotor Wk ²	275 lb-ft ²	BDT (%FLT)	260
		230 volt FLA	A






NAMEPLATE / WIRING

Premium Efficiency Motor: **PEWWE400-12-586/7UZ**

Document Generated: 14-Oct-2019
 Document ID:

Customer:

SAMPLE NAMEPLATE DATA

 		PREMIUM EFFICIENCY 3-PHASE INDUCTION MOTOR			259277 		CC006A ISO9001
Model	PEWWE400-12-586/7UZ		Ser No.	ZP			
HP	400	S.F.	1.15	Type		Encl	TEFC IP55
Frame	586/7UZ	P.F.	0.87	Ins Cl	F	Rating	40°C Amb Cont
Voltage	460 V	Hz	60Hz	Design	B	DE Brng	NU326 C3
Amps	449A	RPM	1190	Code	G	ODE Brng	6324 C3
Nom. Eff.	FL 95.8 %	3/4 96.0 %	460	V		Date	
Class I Division 2 Groups A B C D					Amb.40°C T3(200°C)		
10:1 CT 20:1 VT PWM VFD 1.0SF							
WorldWide Electric Corporation							

Connection

6	4	5
1	2	3
L1	L2	L3

