



**WORLDWIDE ELECTRIC MOTOR DATA SHEET**  
**PREMIUM EFFICIENT VERTICAL HOLLOW SHAFT MOTOR**  
**WPEVHS250-18-460-445TP-DB20**

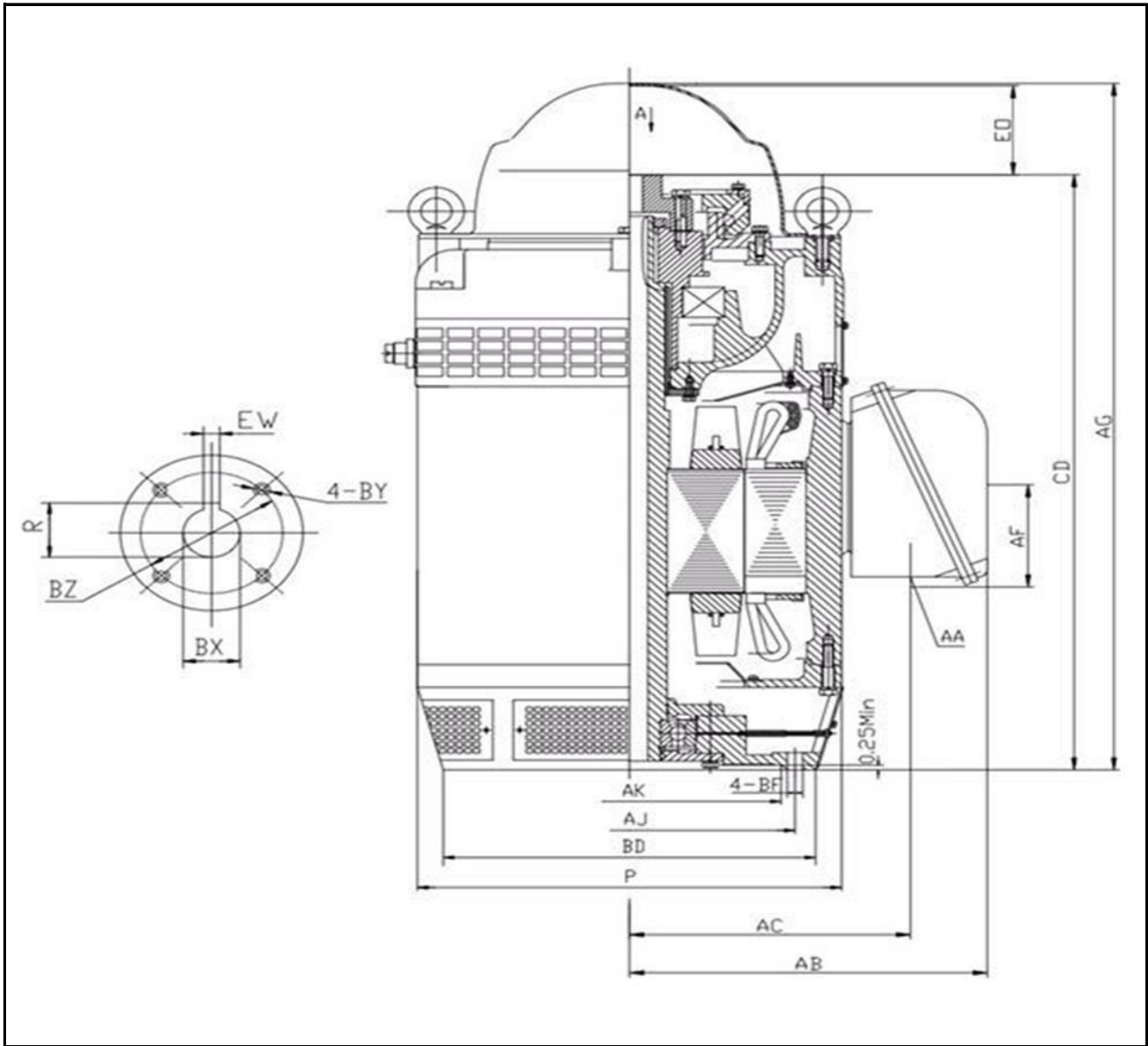


HORSEPOWER	<b>250</b>						
RPM / POLES	<b>1800 / 4</b>						
VOLTAGE / PHASE	<b>460 V / 3</b>						
FRAME	<b>445TP</b>						
ENCLOSURE / DEGREE OF PROTECTION	<b>WPI / IP23 (With Rodent Screens)</b>						
FREQUENCY	<b>60 HZ Suitable For 50 HZ Operation With 1.0 SF</b>						
FULL LOAD SPEED	<b>1788 RPM</b>						
SERVICE FACTOR	<b>1.15</b>						
INSULATION CLASS	<b>F</b>						
FULL LOAD AMPS	<b>276 A</b>						
LOCKED ROTOR AMPS (STARTING)	<b>1849 A</b>						
NEMA CODE LETTER	<b>G</b>						
EFFICIENCY / POWER FACTOR	<table border="1"><thead><tr><th><u>LOAD</u></th><th><u>EFF.</u></th><th><u>P.F.</u></th></tr></thead><tbody><tr><td><b>100%</b></td><td><b>95.8%</b></td><td><b>0.88</b></td></tr></tbody></table>	<u>LOAD</u>	<u>EFF.</u>	<u>P.F.</u>	<b>100%</b>	<b>95.8%</b>	<b>0.88</b>
<u>LOAD</u>	<u>EFF.</u>	<u>P.F.</u>					
<b>100%</b>	<b>95.8%</b>	<b>0.88</b>					
DUTY CYCLE	<b>CONTINUOUS</b>						
TORQUE	<table border="1"><thead><tr><th><u>FULL LOAD</u></th><th><u>LRT</u></th><th><u>BDT</u></th></tr></thead><tbody><tr><td><b>730 lb.ft.</b></td><td><b>168%</b></td><td><b>220%</b></td></tr></tbody></table>	<u>FULL LOAD</u>	<u>LRT</u>	<u>BDT</u>	<b>730 lb.ft.</b>	<b>168%</b>	<b>220%</b>
<u>FULL LOAD</u>	<u>LRT</u>	<u>BDT</u>					
<b>730 lb.ft.</b>	<b>168%</b>	<b>220%</b>					
NEMA DESIGN	<b>B</b>						
MAX. AMBIENT TEMPERATURE	<b>40° C</b>						
MAX. ELEVATION	<b>3300 Ft. Above Sea Level</b>						
TEMPERATURE RISE (At Full Load)	<b>80° C</b>						
SOUND PRESSURE LEVEL	<b>100 dB(A)</b>						
MAX. DOWN THRUST	<b>14400 lbs.</b>						
UPPER THRUST BEARING	<b>7232B/DT</b>						
REGREASING INT. (UPPER)	<b>12 Months</b>						
GREASE TYPE (UPPER)	<b>ISO32 Turbine Oil</b>						
LOWER RADIAL BALL BEARING	<b>6318</b>						
REGREASING INT. (LOWER)	<b>1-3 Months (Please See Maintenance Manual)</b>						
GREASE TYPE (LOWER)	<b>Mobil Polyrex EM</b>						
ROTATION	<b>Unidirectional (Non-Reverse Ball Type Ratchet Assembly)</b>						
CONNECTION DIAGRAM	<b>460 V - 12 Lead Δ</b>						
LEAD SIZE	<b>2 AWG</b>						
LEAD LENGTH	<b>14 in.</b>						
APPROXIMATE WEIGHT	<b>2206 lbs.</b>						
INVERTER RATING	<b>10:1 VT PWM Type (1600 V Spike-Resistant Wire)</b>						



# WORLDWIDE ELECTRIC MOTOR DRAWING

## WPEVHS-445TP-250HP



**DIMENSIONS - INCHES**

BD	AJ	AK	BF	BX	BZ	EW	R	BY
20	14.75	13.5	0.69	1.6875	2.5	0.375	1.854	1/4-20

CD	EO>	AC	AA	AF	OVERALL DIMENSIONS		
					P	AB	AG
44.78	5.4	16.18	3" NPT	7.56	23.3	20.7	50.18